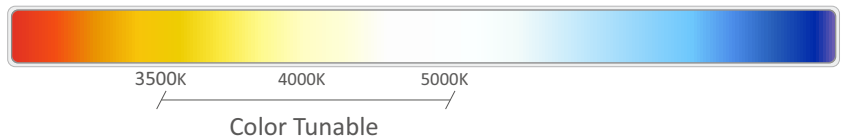


Wattage adjustable and color tunable flat panel light

Backlit panel light version



Power adjustable

2*2Feet: 26W/30W/40W

1*4Feet: 26W/30W/40W

2*4Feet: 30W/40W/50W



Contents

A . Product Features -----	P03
Description	
Features	
Application	
Specifications	
B. Dimensional illustration -----	P04
Dimensions (unit: mm/feet)	
C. Installation -----	P05
Installation drawing	
How to adjust the wattage	
How to choose the color temperature	
D. Packaging accessories -----	P07
Packaging information	
E. Notice -----	P07

A

Description

LED flat panel light is the latest new generation of backlit lighting fixture, it has the uniform and smooth lighting effect and elegant appearance design. And each fixture is 9 SKUS in 1 unit design, so the users can easily set the wattage and color temperature that they want.

Features

- Wattage adjustable & color tunable led flat panel light

Wattage setting

Feet	Power
2*2	26W, 30W, 40W
1*4	26W, 30W, 40W
2*4	30W, 40W, 50W

Color temperature setting: 3500K, 4000K, 5000K

One piece wattage adjustable and color tunable panel light=9 pcs regular panel light now, it can save the shipping time, warehouse space and your stock cost.

- Visual Uniformity

LEDs covered with lens on the top, the light uniformity rate is greater than 85%. No yellow edge and dark area, perfect lighting effect.

- High efficiency up to 130LM/W, premium version for optional

High transmission back-lit (more than 85%), high lumen LED efficacy paired with high power factor drivers

- Flicker free LED driver

Constant current design, PF>0.9, THD<15%.

3 in 1 dimming mode: 0-10V, PWM, Rx

Smoothly dimming 0-100%, can dim to off

Short circuit, open circuit protection, and 1KV surge protection.

- Three installation options

Each panel with standard clips for recessed and suspending installation. Optional surface mounted kit available.

Application

The can be used in hotels, meeting rooms, factories, offices, commercial purposes, residential institution buildings, schools, hospitals, places which needs energy saving and high color rendering index lighting.



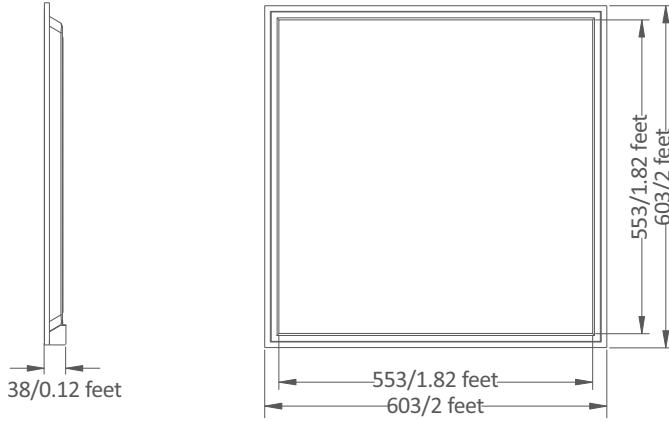
Specifications

Model	CCT	Light efficiency	Size(feet)	LED type	Power	Voltage(V)	CRI	Beam angle	Color tunable selectable way
SC-PBCAW22-B40W-02RE	3500K-4000K-5000K	110LM/W	2*2 feet	2835	26W/30W/40W	100-277VAC	>80	110°	DIP switch
SC-PBCAW14-B40W-02RE			1*4 feet		26W/30W/40W				
SC-PBCAW24-B50W-02RE			2*4 feet		30W/40W/50W				
SC-PBCAW22-B40W-H-02RE	3500K-4000K-5000K	130LM/W	2*2 feet		26W/30W/40W				
SC-PBCAW14-B40W-H-02RE			1*4 feet		26W/30W/40W				
SC-PBCAW24-B50W-H-02RE			2*4 feet		30W/40W/50W				

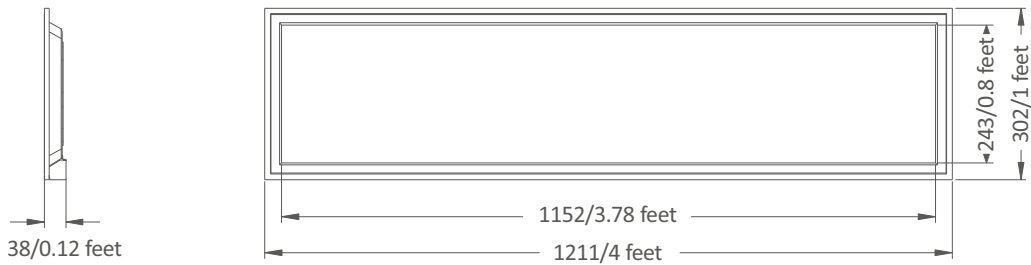
Remark: Not all the product variations listed on this page are DLC qualified. To ensure that a specific model is qualified, visit www.designlights.org/search.

B Dimensions (unit: mm/feet)

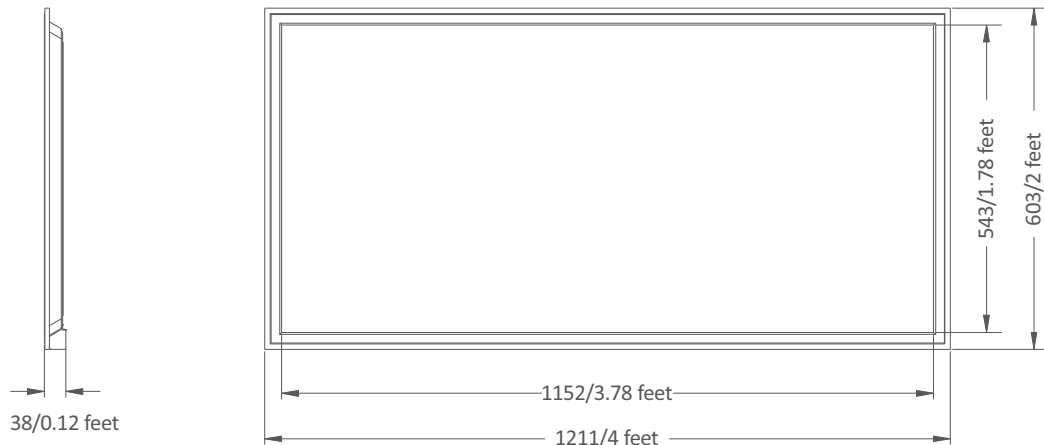
2 * 2 feet



1 * 4 feet

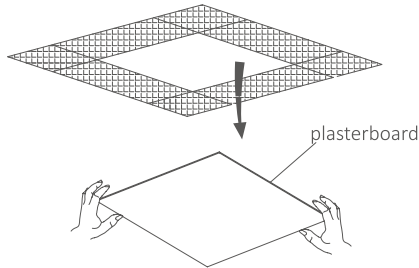


2 * 4 feet



C Installation drawing

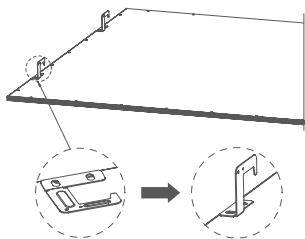
1. Drill Holes



Move the corresponding-size plasterboard away

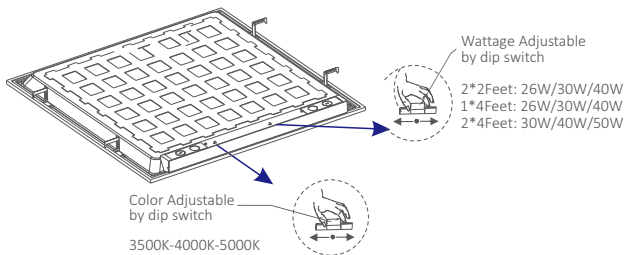
3. Rotate the hook

- Bend the hook bracket to make it perpendicular to the lamp
- Rotate the hook bracket 90 degree

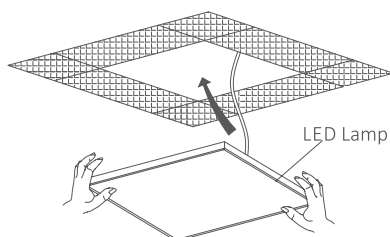


5. Swipe the DIP switch on the back to position of corresponding color temperature (for DIP Switch version)

- Switch the color temperature switch according to needs to switch color temperature to corresponding position

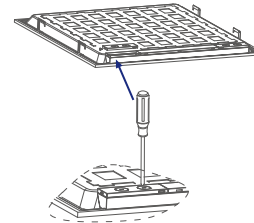


7. Put the lamp into the ceiling



2. Open the power supply

- Turn the cross screwdriver to the right to open the top cover of power supply
- Open the side hole of power supply with straight screwdriver



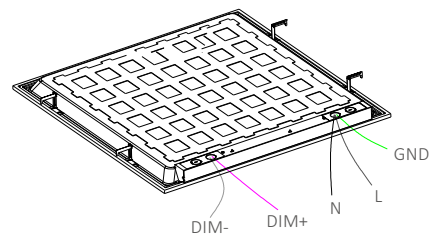
4. Connect the input wire and fix cover of power supply

- Insert the dimmable wire of input terminal into DIM+ and DIM- terminal respectively
- Intert the input L pole and N pole into corresponding L-pole and N-pole terminal
- Connet input grounding line with grounding line of lamp
- Fix the cover of power supply

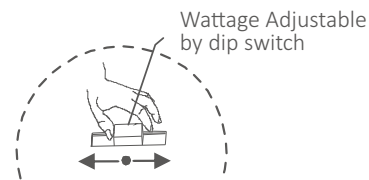
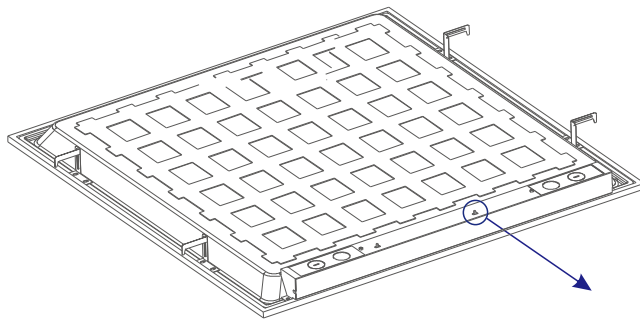


6. Top cover of power supply

- Put the top cover of power supply on and fix top cover of power supply box with screws



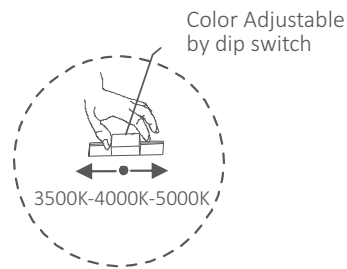
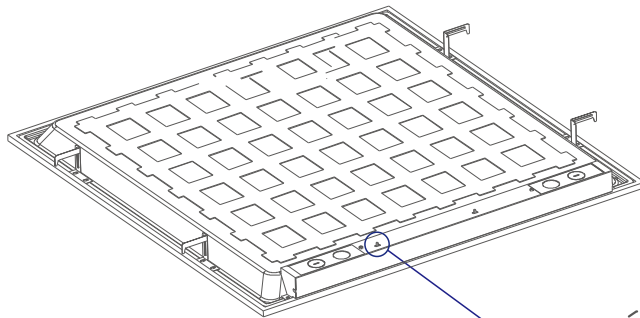
How to adjust the wattage



2*2Feet: 26W/30W/40W
 1*4Feet: 26W/30W/40W
 2*4Feet: 30W/40W/50W

How to choose the color temperature

Option one: Adjust the 3-position slide switch with your fingers for different color temperature.



D

Packaging information

Size	2*2 feet	1*4 feet	2*4 feet
Information			
Net weight/CTN	3.0Kg	3.0Kg	6.0Kg
Gross weight/CTN	15Kg	17Kg	28Kg
Inner size	649X647X108mm	1256X349X108mm	1255X647X94mm
Carton size	670X675X240mm	1280X240X375mm	1290X680X220mm
2pcs/inner box, 2 inner boxes/carton			

E

Notice

- Please read the specification first, to make sure the service environment matches the condition in the specification before using.
- Please confirm the applicable power supply before using.
- Make sure the switch of product is off before connect to the power supply to prevent electric shock.
- Operation against rules may damage your property even harm to your personal safety.
- Preliminarily estimate required quantity of LED panel lights, then according to the power rating of single panel light to figure out the total power and design power supply plan.
- Dangerous high voltage, Non-professionals are not allowed to maintain the products.
- If the exterior flexible cable or wire is damaged, it must exchange by the supplier, its agent or other similar qualified personnels to avoid dangers.



Yijia Industrial Park, Fuqian Road, Guanlan
Town, LongHua, Shenzhen, Guangdong, China

Tel:+86-755-27608650
Fax:+86-755-27608651
www.signcomplex.com
sales@signcomplex.com