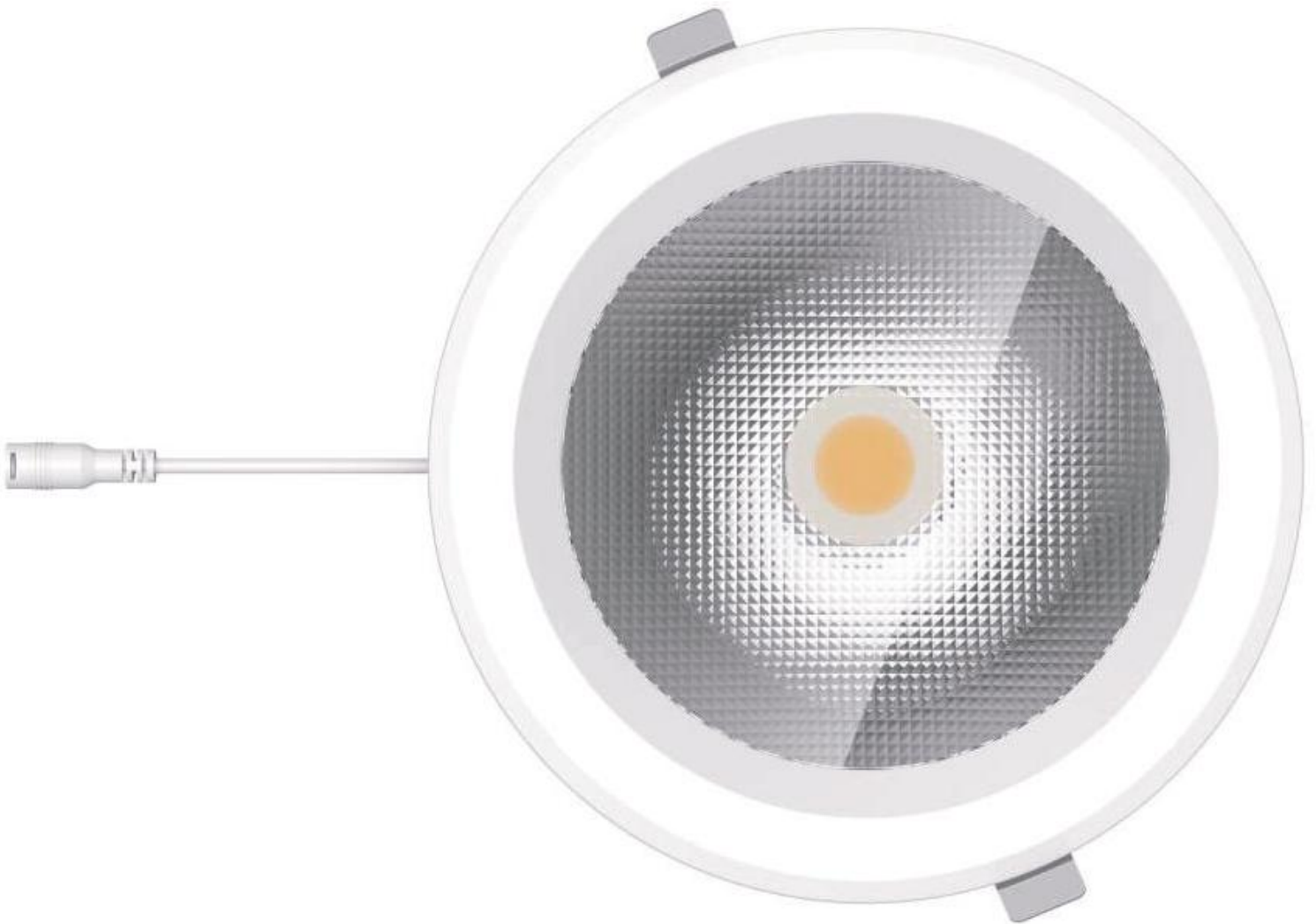


Economical ultra-thin downlight

DL102-2.5/DL102-3.5/DL102-5/DL102-8

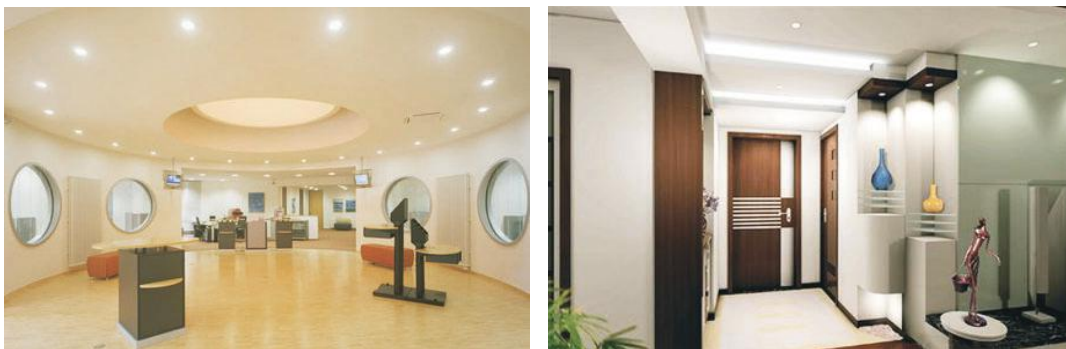


Features

- The main material of this product is aluminum alloy, and the main process is die-casting processing;
- The height of the product is only 29mm, ultra-thin and the surface is dusted;
- PC diffuser mask is adopted to give uniform light;
- The product heat dissipation is good, effectively ensure the long life of LED.
- Separate design of power supply and main body, which is more advantageous to ensure the life of power supply and LED.
- Energy-efficient LED drive power supply.

Application

- Mainly applicable in factories, hotels, home renovation, department stores and exhibition rooms, etc.

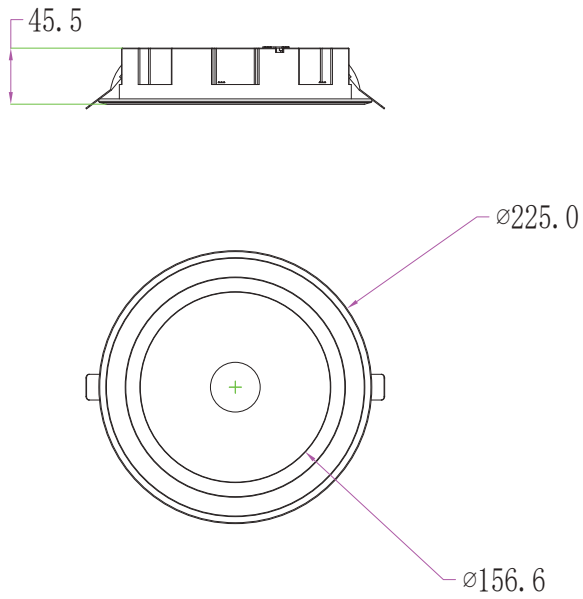


Technical parameters

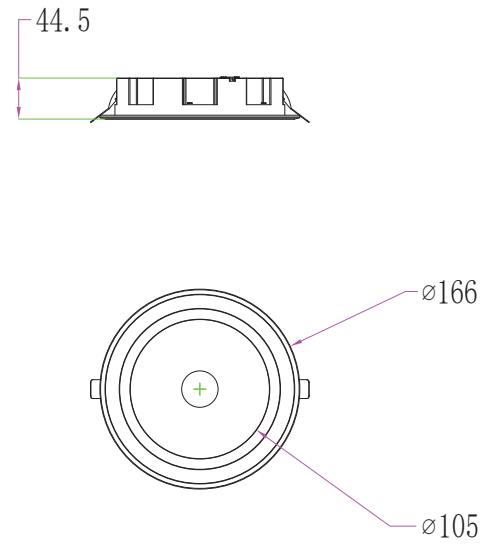
Model	CCT	Lumen (± 10%)	Power	Size	Opening	Beam angle	LED Type	Volatge	Frequency	CRI	PF
DL102-2.5-7W-30K-R80-0001	3000K	749	7	φ88.5*H32.5	φ75	110	COB	AC220~240	50/60Hz	>80	>0.9
DL102-2.5-7W-40K-R80-0001	4000K	757									
DL102-2.5-7W-50K-R80-0001	5000K	756									
DL102-2.5-7W-65K-R80-0001	6500K	780									
DL102-3.5-10W-30K-R80-0001	3000K	1021	10	φ120.5*H44	φ100						
DL102-3.5-10W-40K-R80-0001	4000K	1085									
DL102-3.5-10W-50K-R80-0001	5000K	1038									
DL102-3.5-10W-65K-R80-0001	6500K	1095									
DL102-5-15W-30K-R80-0001	3000K	1598	15	φ166*H44.5	φ145						
DL102-5-15W-40K-R80-0001	4000K	1743									
DL102-5-15W-50K-R80-0001	5000K	1756									
DL102-5-15W-65K-R80-0001	6500K	1765									
DL102-8-30W-30K-R80-0001	3000K	3480	30	φ225*H45.5	φ195						
DL102-8-30W-40K-R80-0001	4000K	3590									
DL102-8-30W-50K-R80-0001	5000K	3548									
DL102-8-30W-65K-R80-0001	6500K	3560									

Dimensions (unit: mm)

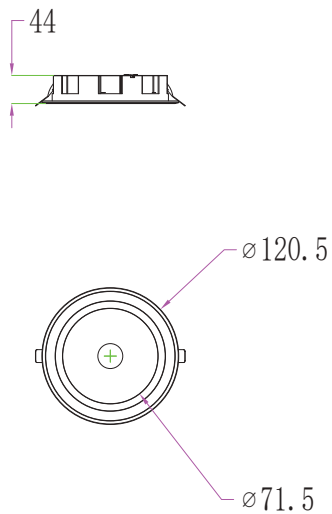
DL102-8-30W-40K-R80-0001



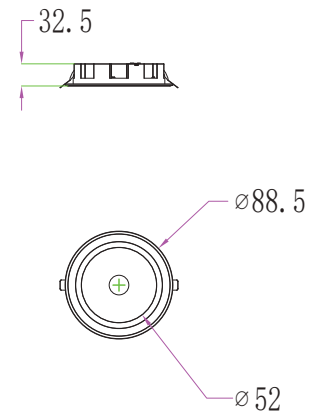
DL102-5-15W-40K-R80-0001



DL102-3.5-10W-40K-R80-0001

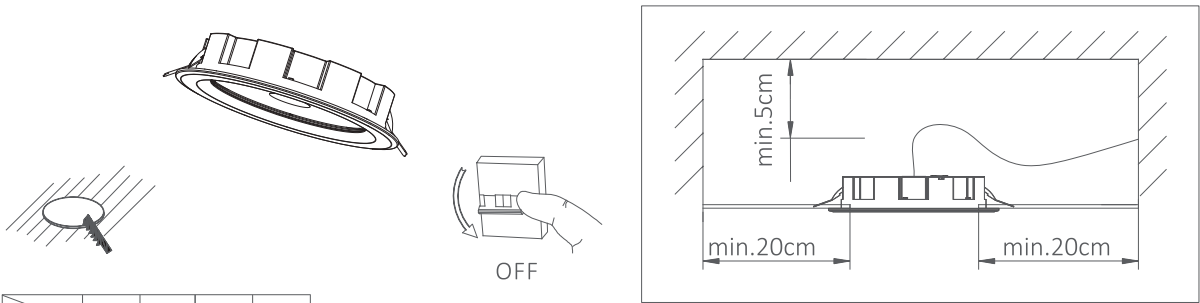


DL102-2.5-7W-40K-R80-0001



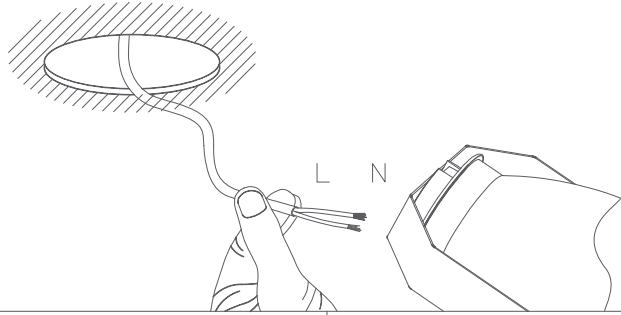
Installation drawing

①

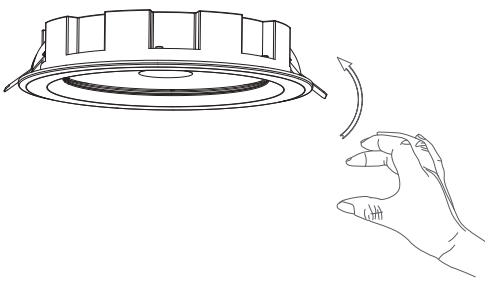


	2.5"	3.5"	5"	8"
Mounting Hole(s)	75 mm	100 mm	145 mm	195 mm

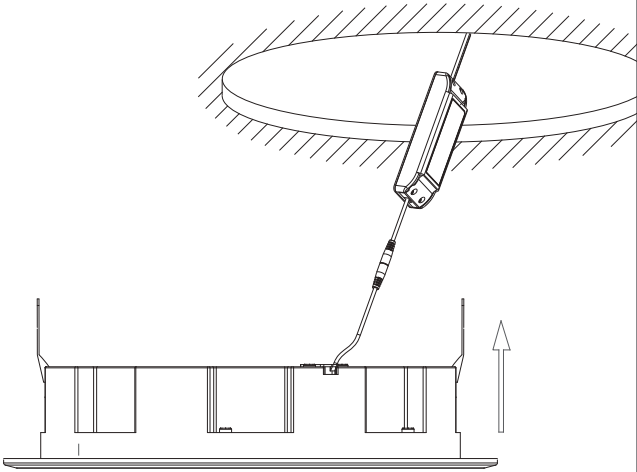
②



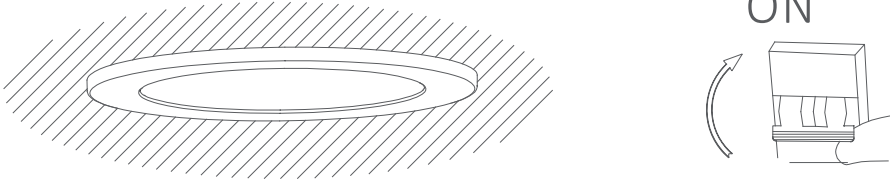
④



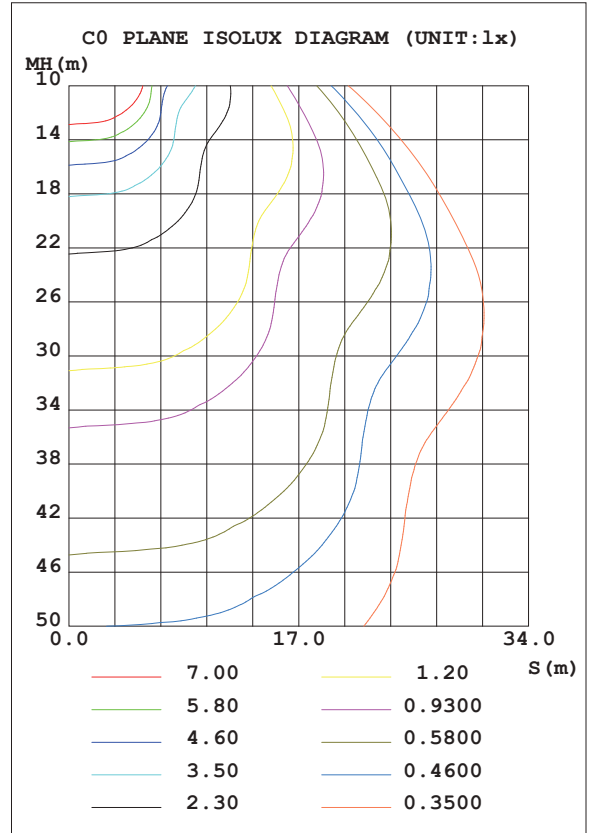
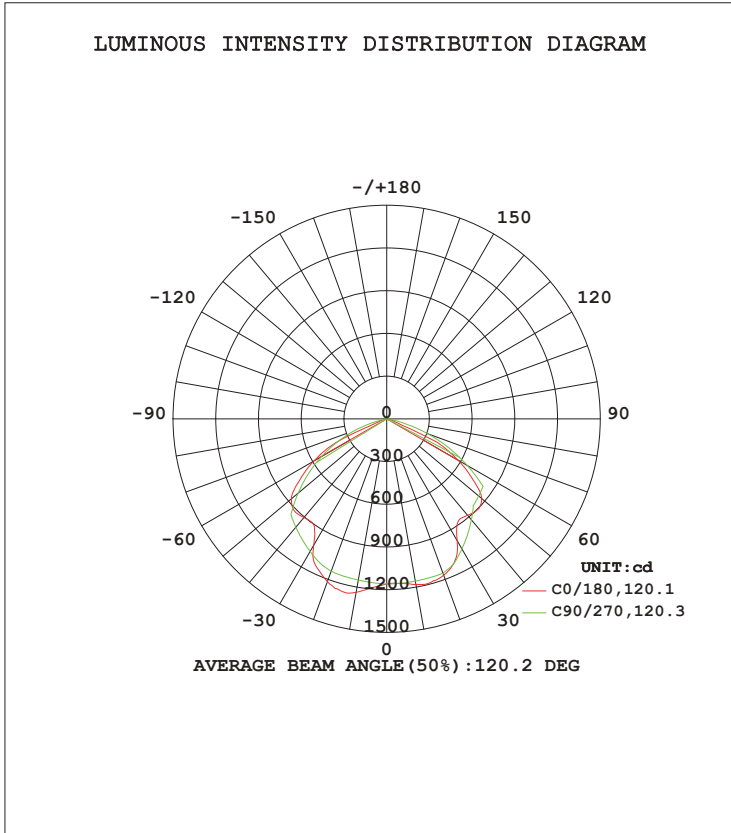
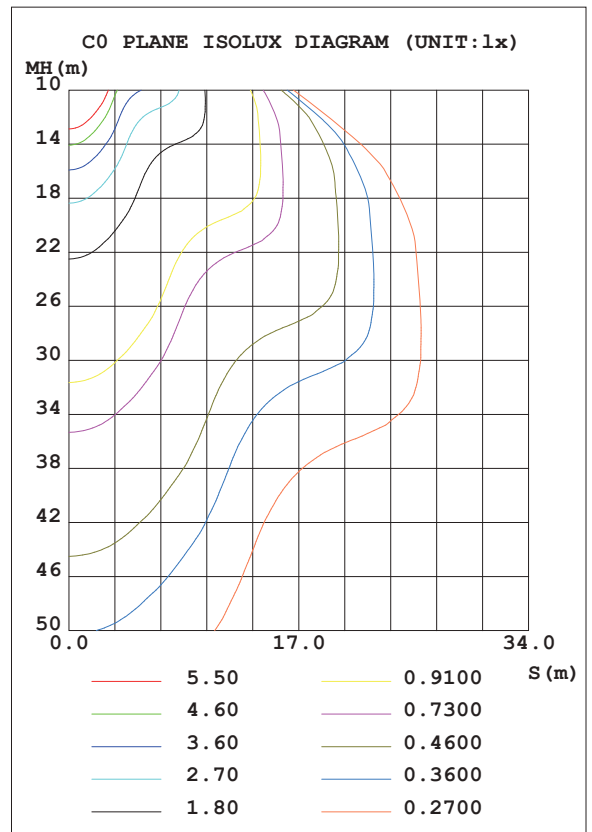
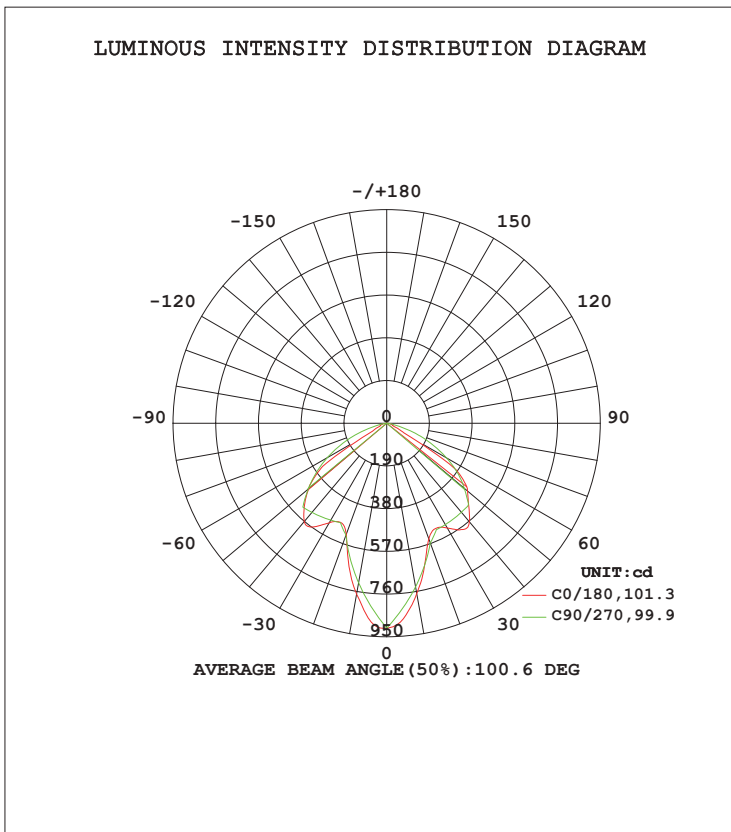
⑤

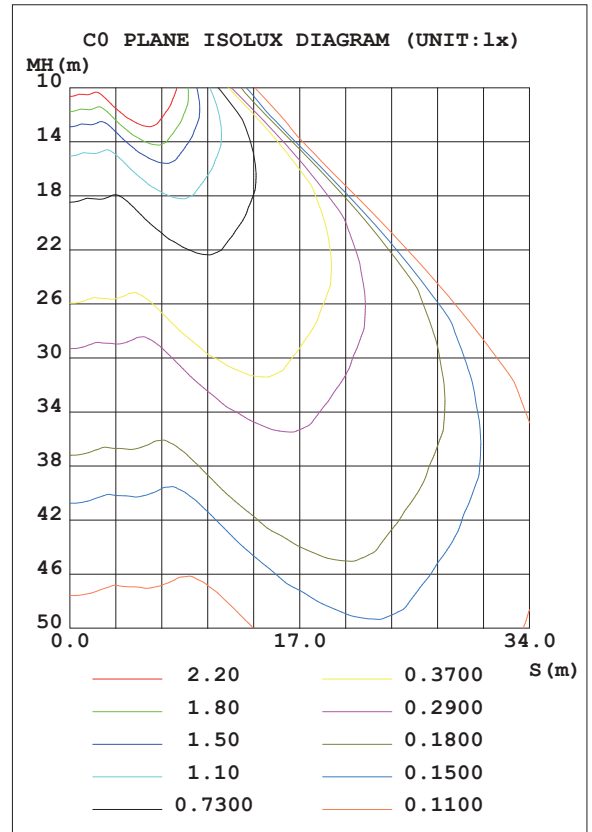
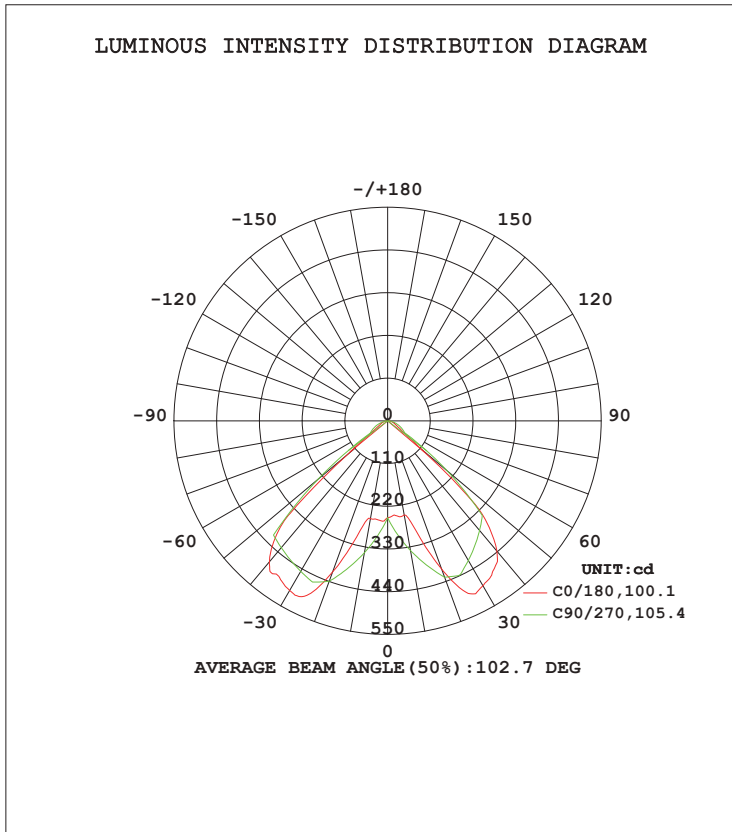
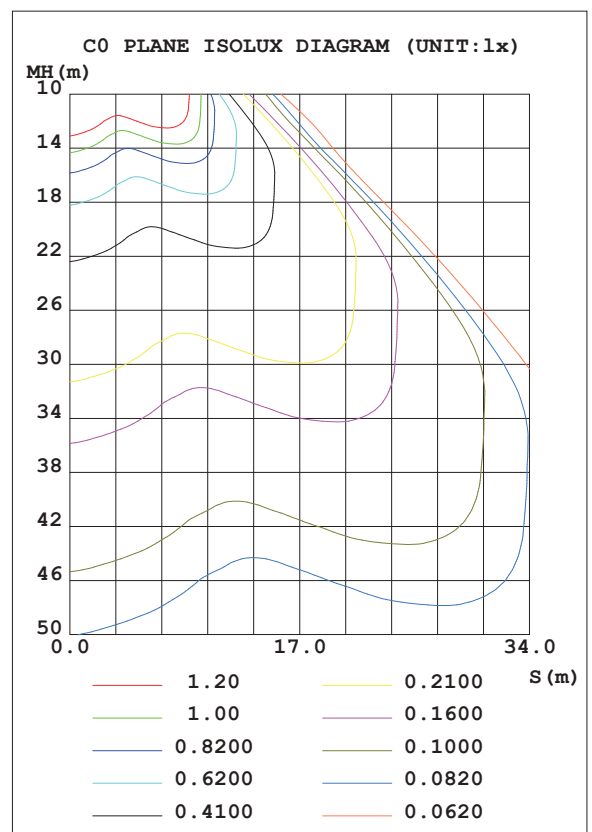
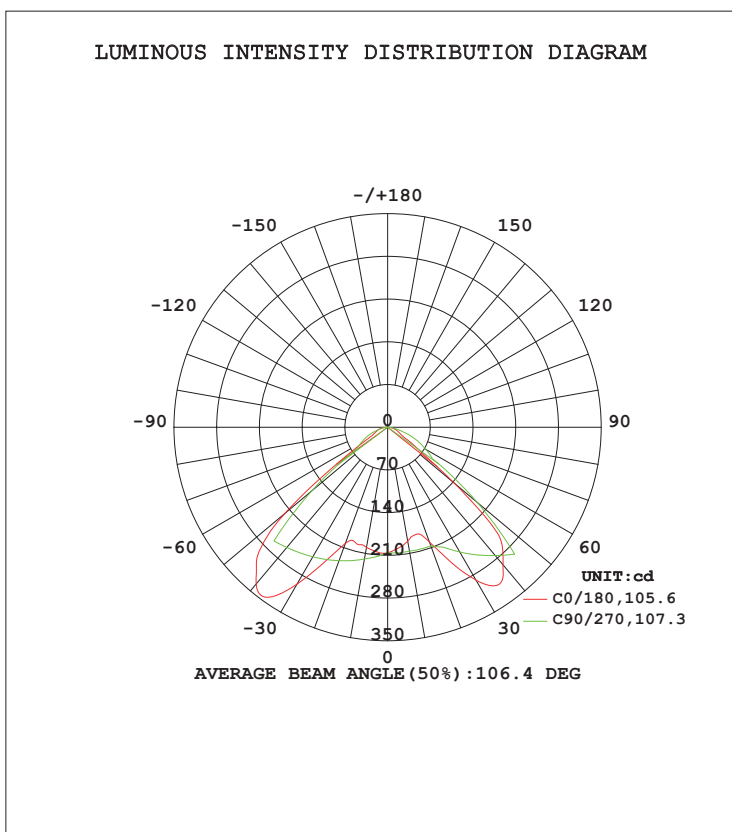


⑥



ON

DL102-8-30W-40K-R80-0001

DL102-5-15W-40K-R80-0001


DL102-3.5-10W-40K-R80-0001

DL102-2.5-7W-40K-R80-0001


Packaging information

Model	Inner box dimension	Carton box dimension	Unit net weight	Packing qty.	Carton box gross weight
DL102-2.5	105*105*85	440*440*450mm	0.208KG	80PCS	21.1KG
DL102-3.5	130*130*80	540*540*345mm	0.305KG	64PCS	21KG
DL102-5	170*170**80	530*530*430mm	0.421KG	30PCS	14.1KG
DL102-8	230*230*95	480*480*505mm	0.72KG	20PCS	15.9KG

Notice



- Please read the product specification carefully first to confirm that the use environment is in line with the condition on the specification before it is used.
- Please confirm the applicable power supply before use.
- When the product is connected with power supply, ensure that the switch is at the disconnected state to prevent electric shock.
- Operation against the rules may destroy your articles, or even endanger your personal safety.
- Make preliminary calculation for the quantity of light and then calculate the total power according to frequency of single light. Design the power distribution scheme.
- Dangerous high voltage. Non professional personnel should not repair.
- If the external wire of the light is damaged, it should be replaced by manufacturer or service agent or personnel with similar qualification to avoid danger.
- Common sense for handling: avoid impact or press the product with heavy objects. Handle with care during the transportation and installation process.



Yijia Industrial Park, Fuqian Road, Guanlan Town, Longhua, Shenzhen, Guangdong, China

Tel:+86-755-27608650
 Fax:+86-755-27608651
www.signcomplex.com
sales@signcomplex.com