

Economical ultra-thin downlight

DL101-3/DL101-3.5/DL101-4/DL101-6/DL101-8



Features

- The main material of this product is aluminum alloy, and the main process is die-casting processing;
- The height of the product is only 29mm, ultra-thin and the surface is dusted;
- PC diffuser mask is adopted to give uniform light;
- The product heat dissipation is good, effectively ensure the long life of LED.
- Separate design of power supply and main body, which is more advantageous to ensure the life of power supply and LED.
- Energy-efficient LED drive power supply.

Application

- Mainly applicable in factories, hotels, home renovation, department stores and exhibition rooms, etc.

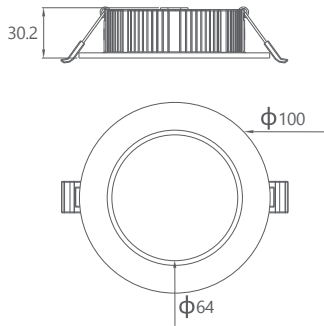


Technical parameters

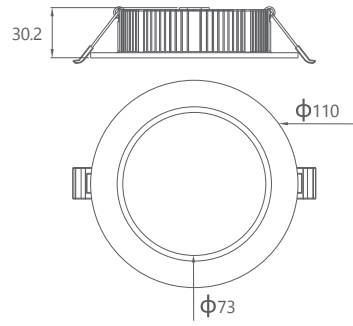
Model	CCT	Lumen (± 10%)	Power	Beam angle	LED Type	Volatge	Frequency	CRI	PF
DL101-3-10W-30K-R80-0001	3000K	1000	10	110°	SDD2835	AC220~240V	50/60Hz	> 80	> 0.9
DL101-3-10W-40K-R80-0001	4000K	1050							
DL101-3-10W-50K-R80-0001	5000K	1100							
DL101-3-10W-65K-R80-0001	6500K	1150							
DL101-3.5-15W-30K-R80-0001	3000K	1500	15						
DL101-3.5-15W-40K-R80-0001	4000K	1575							
DL101-3.5-15W-50K-R80-0001	5000K	1650							
DL101-3.5-15W-65K-R80-0001	6500K	1725							
DL101-4-20W-30K-R80-0001	3000K	2000	20						
DL101-4-20W-40K-R80-0001	4000K	2100							
DL101-4-20W-50K-R80-0001	5000K	2200							
DL101-4-20W-65K-R80-0001	6500K	2300							
DL101-6-30W-30K-R80-0001	3000K	3000	30						
DL101-6-30W-40K-R80-0001	4000K	3150							
DL101-6-30W-50K-R80-0001	5000K	3300							
DL101-6-30W-65K-R80-0001	6500K	3450							
DL101-8-40W-30K-R80-0001	3000K	4200	40						
DL101-8-40W-40K-R80-0001	4000K	4400							
DL101-8-40W-50K-R80-0001	5000K	4600							
DL101-8-40W-65K-R80-0001	6500K	4800							

Dimensions (unit: mm)

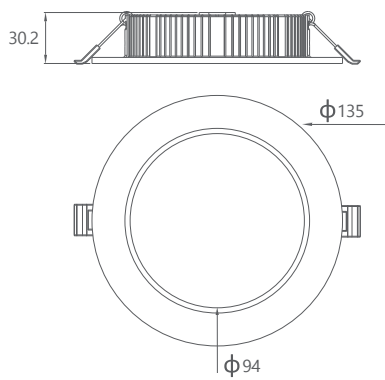
DL101-3-10W-XXK-R80-0001



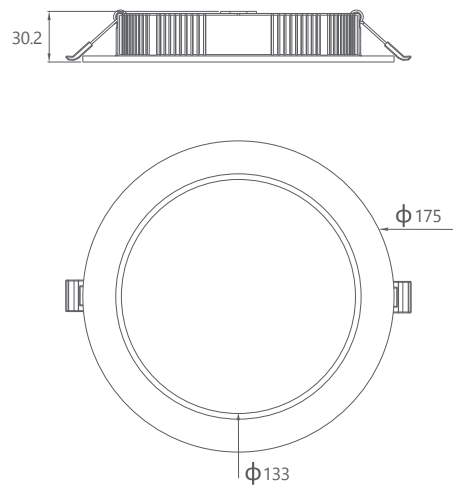
DL101-3.5-15W-XXK-R80-0001



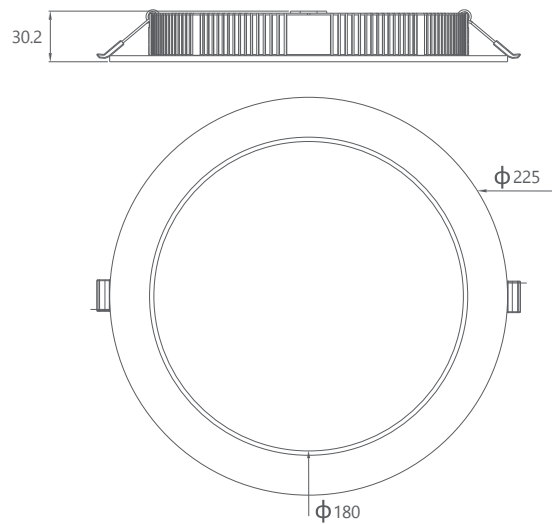
DL101-4-20W-XXK-R80-0001



DL101-6-30W-XXK-R80-0001

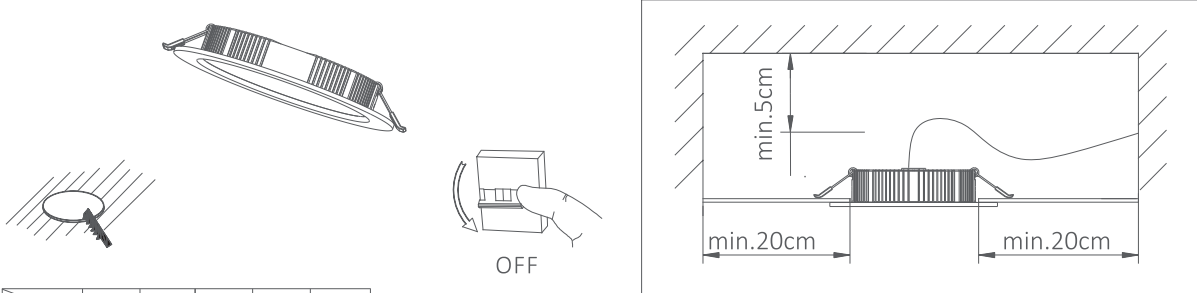


DL101-8-40W-XXK-R80-0001



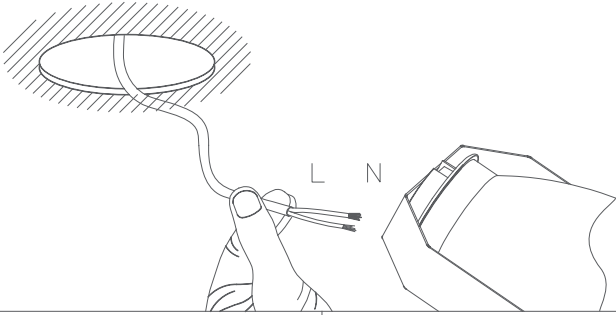
Installation drawing

①

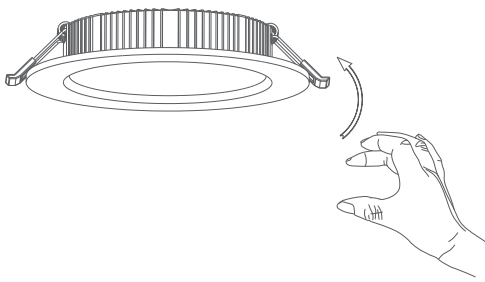


	3"	3.5"	4"	6"	8"
Mounting Hole(Ø)	78 mm	88 mm	108 mm	148 mm	198 mm

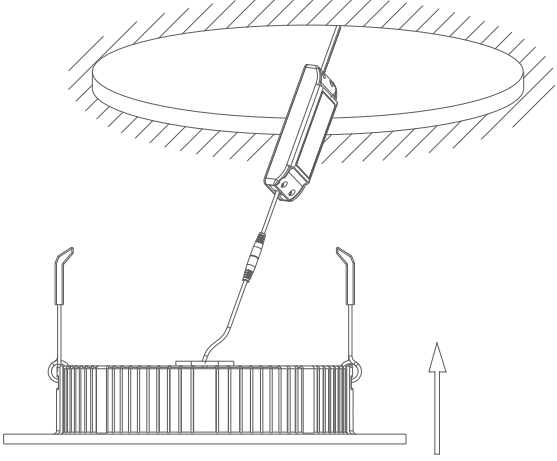
②



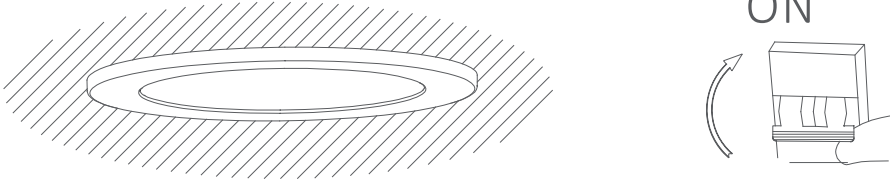
④



⑤

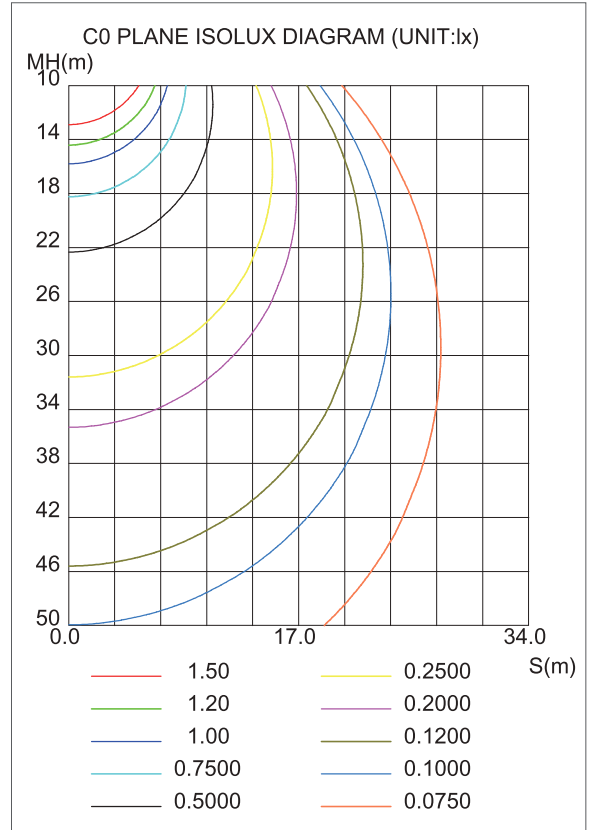
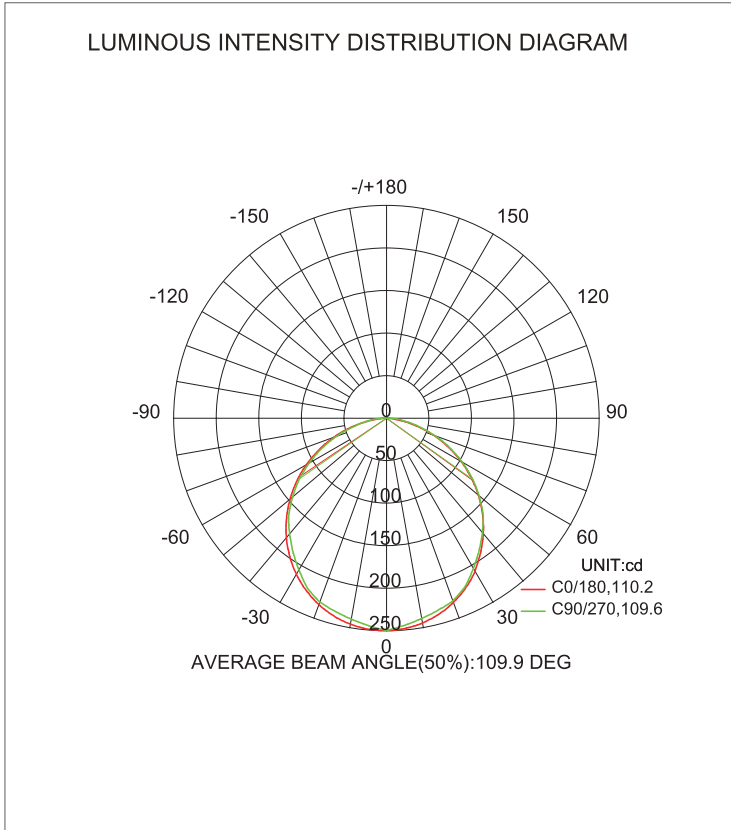


⑥

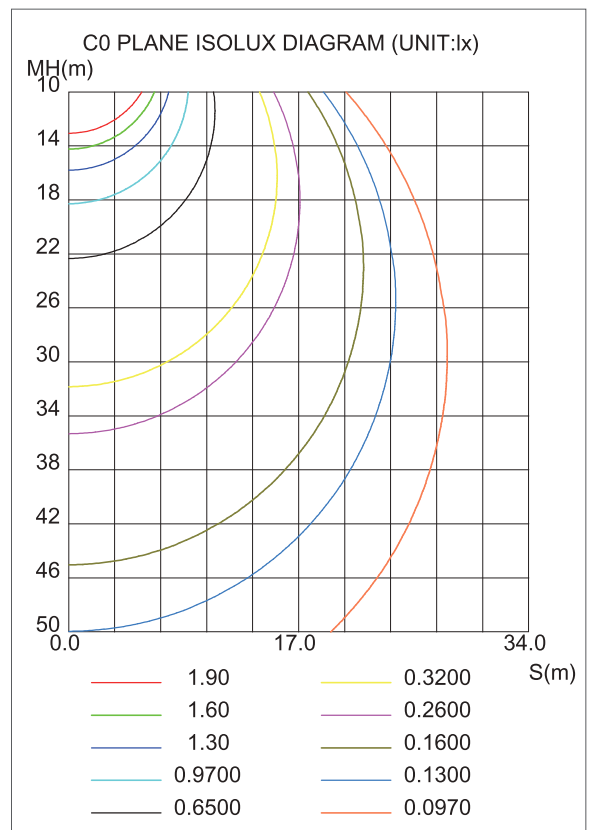
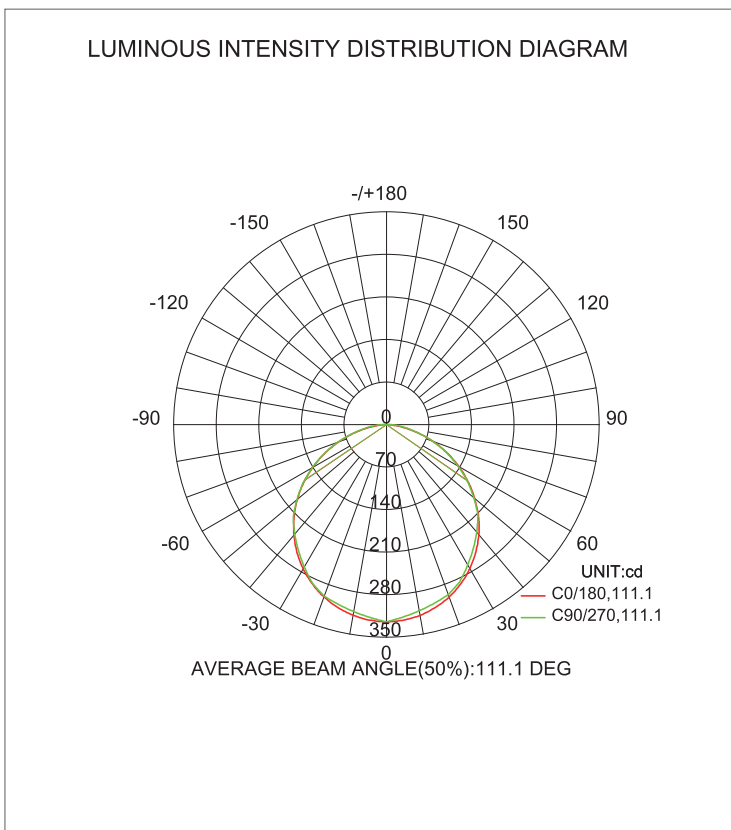


ON

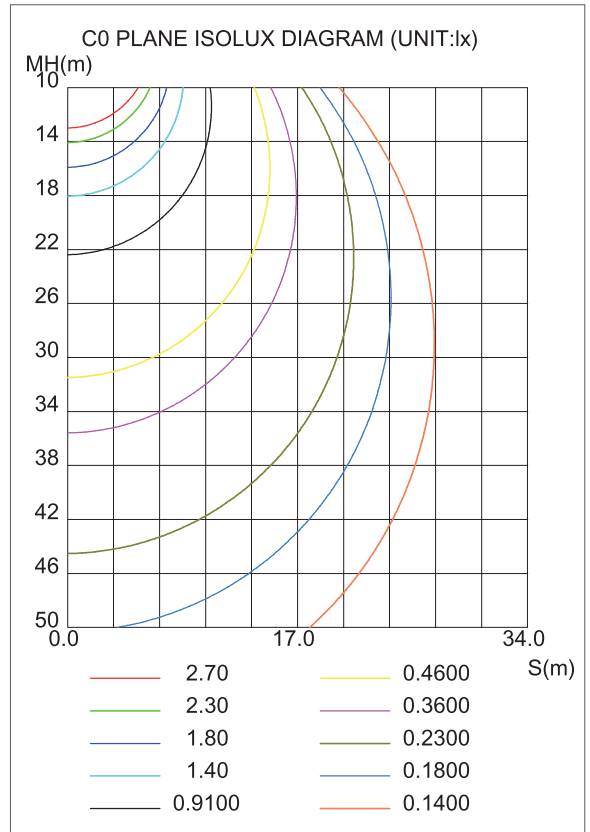
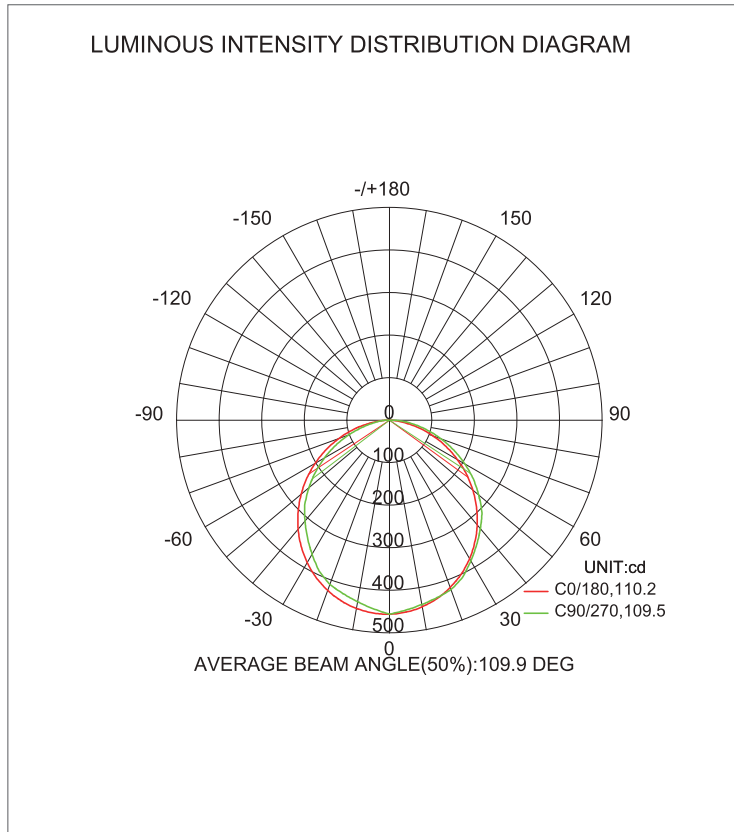
TL101-3-10W-30K-R80-0001



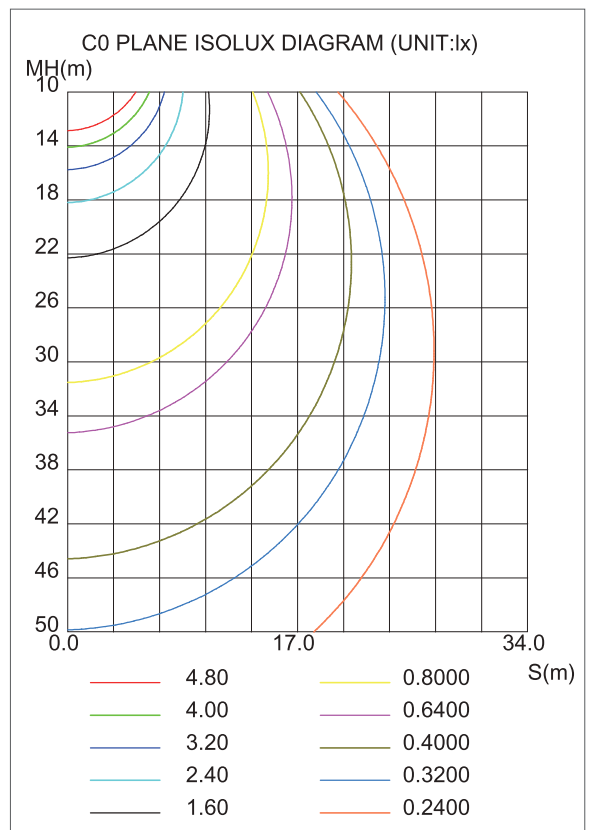
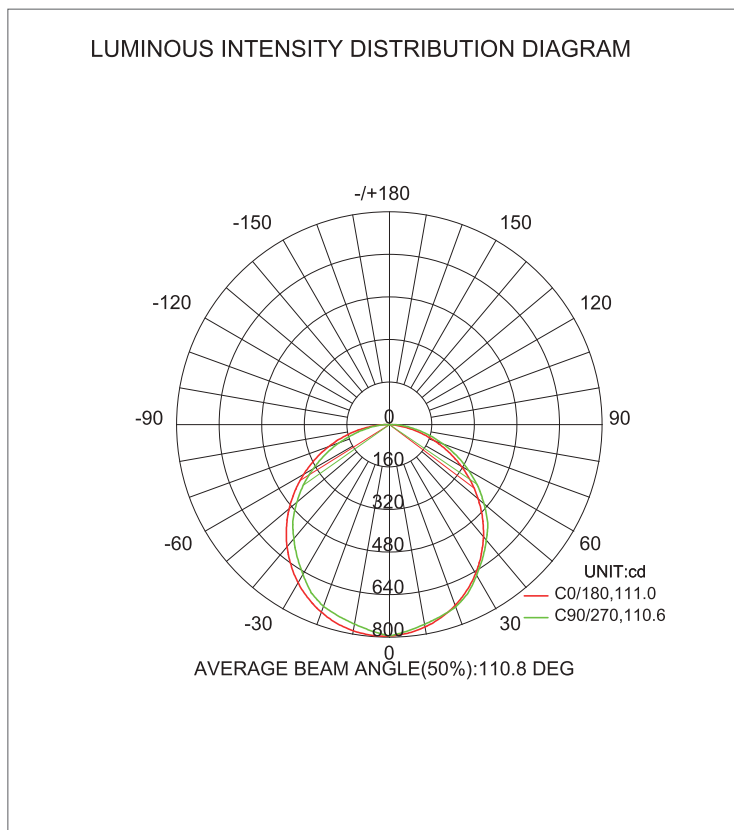
TL101-3.5-15W-30K-R80-0001



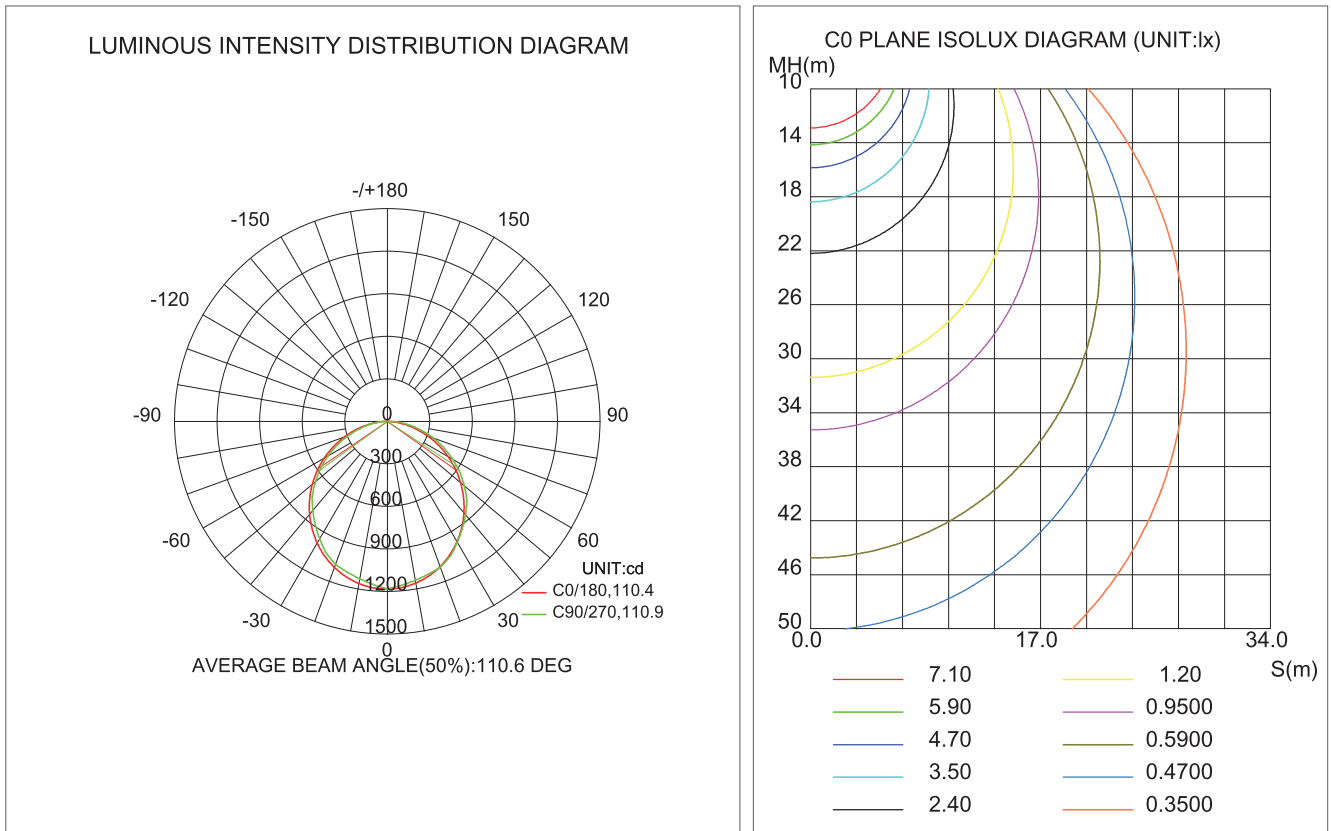
DL101-4-20W-30K-R80-0001



DL101-6-30W-30K-R80-0001



DL101-8-40W-30K-R80-0001



Packaging information

Model	Inner box dimension	Carton box dimension	Unit net weight	Packing qty.	Carton box gross weight
DL101-3	140*45*135mm	438*472*428mm	0.17KG	90PCS	19.54Kg
DL101-3.5	148*45*135mm	462*472*428mm	0.18KG	90PCS	20.40Kg
DL101-4	173*45*153mm	364*472*482mm	0.23KG	60PCS	17.47Kg
DL101-6	200*45*187mm	418*472*397mm	0.34KG	40PCS	16.77Kg
DL101-8	250*45*238mm	518*472*499mm	0.47KG	40PCS	23.78Kg

Notice



- Please read the product specification carefully first to confirm that the use environment is in line with the condition on the specification before it is used.
- Please confirm the applicable power supply before use.
- When the product is connected with power supply, ensure that the switch is at the disconnected state to prevent electric shock.
- Operation against the rules may destroy your articles, or even endanger your personal safety.
- Make preliminary calculation for the quantity of light and then calculate the total power according to frequency of single light. Design the power distribution scheme.
- Dangerous high voltage. Non professional personnel should not repair.
- If the external wire of the light is damaged, it should be replaced by manufacturer or service agent or personnel with similar qualification to avoid danger.
- Common sense for handling: avoid impact or press the product with heavy objects. Handle with care during the transportation and installation process.



Yijia Industrial Park, Fuqian Road, Guanlan Town, Longhua, Shenzhen, Guangdong, China

Tel:+86-755-27608650
 Fax:+86-755-27608651
www.signcomplex.com
sales@signcomplex.com