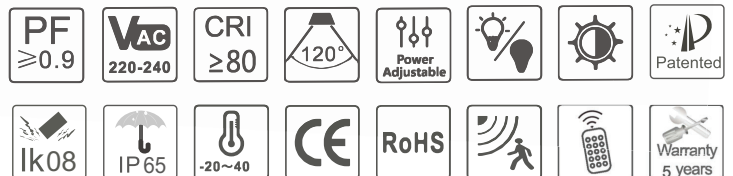




Mini Version

TPM-018/036/050/65-AH-XXK-ZYYY



Description:

Sustainable version tri-proof is a modular design, openable and sustainable luminaire, so that we could benefit by more possibilities, easier maintenance, and less CO2 emission.

Features:

- 1.Tool free installation:10s to complete the installation.
- 2.Modular and openable design for easy maintenance.
3. power tunable :Less SKU.
- 4.Plug & play sensors , easy & flexible installation,can be installed wherever needed.



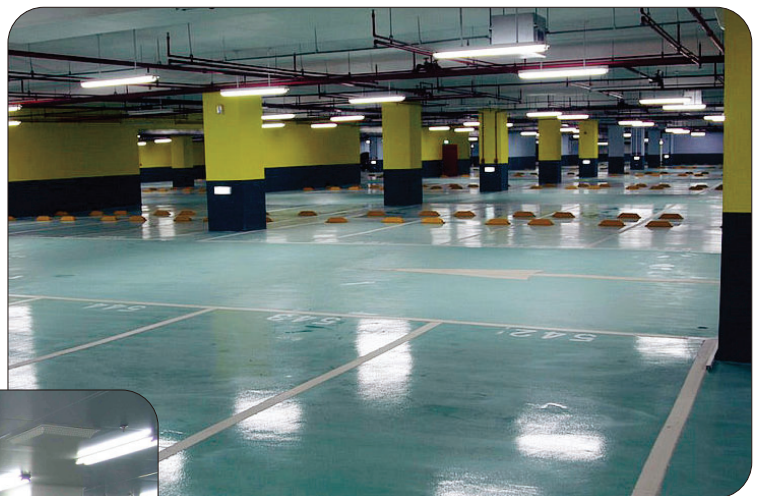
Coding principle

T P M - X X X - X X - X X K - Z Y Y Y

- First: S: induction/General: Space/E: emergency functions
- Second: Light efficiency discrimination, 3: 130lm/W 5: 150lm/W
- Third: 1. One-end entry line ; 2. Double-end entry line;
- Fourth: Power Division: 1/5: ZHENGYUAN 6: Cupower 8: TRIDONIC 9: LIFUD
- Color Temperature: 50(5500-6500K)/40(3800-4200K)/30(2700-3200K)
- K: Units
- Voltage: AH: 220-240VAC
- Power: 18W/36W/50W/65W
- Power adjustable: (T18W/16W/14W/11W)(T37W/32W/27W/21W)(T50W/41W/36W/28W)
- TP: Triple Light
- M: Mini Series

Application:

It can be widely used in parking lots, factory, warehouses, Industrial areas.





Technical parameters:

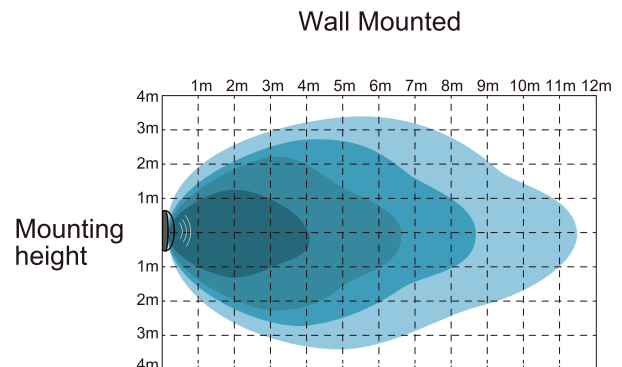
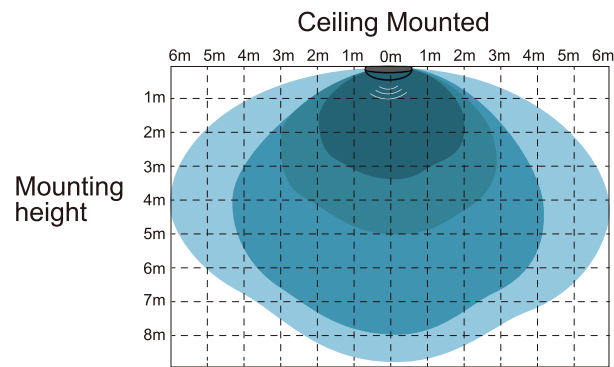
Model	CCT	Lumen (lm) (±10%)	Beam angle	LEDs type	Voltage, frequency	Power(w) (±10%)	Max. current (A)	CRI	PF
TPM-018-AH-60K-Z501/S501	5500-6500K	2664	120°	SMD2835	AC220-240V 50/60Hz	18	0.12	> 80	≥0.9
TPM-018-AH-50K-Z501/S501	4700-5300K	2628							
TPM-018-AH-40K-Z501/S501	3800-4200K	2610							
TPM-018-AH-30K-Z501/S501	2700-3200K	2520							
TPM-036-AH-60K-Z051/S501	5500-6500K	5508	120°	SMD2835	AC220-240V 50/60Hz	36	0.25	> 80	≥0.9
TPM-036-AH-50K-Z051/S501	4700-5300K	5508							
TPM-036-AH-40K-Z501/S501	3800-4200K	5400							
TPM-036-AH-30K-Z501/S501	2700-3200K	5364							
TPM-050-AH-60K-Z501/S501	5500-6500K	7650	120°	SMD2835	AC220-240V 50/60Hz	50	0.3	> 80	≥0.9
TPM-050-AH-50K-Z501/S501	4700-5300K	7500							
TPM-050-AH-40K-Z501/S501	3800-4200K	7400							
TPM-050-AH-30K-Z501/S501	2700-3200K	7300							
TPM-018-AH-60K-Z301/S301	5500-6500K	2394	120°	SMD2835	AC220-240V 50/60Hz	18	0.12	> 80	≥0.9
TPM-018-AH-50K-Z301/S301	4700-5300K	2430							
TPM-018-AH-40K-Z301/S301	3800-4200K	2394							
TPM-018-AH-30K-Z301/S301	2700-3200K	2304							
TPM-036-AH-60K-Z301/S301	5500-6500K	4788	120°	SMD2835	AC220-240V 50/60Hz	36	0.25	> 80	≥0.9
TPM-036-AH-50K-Z301/S301	4700-5300K	4860							
TPM-036-AH-40K-Z301/S301	3800-4200K	4788							
TPM-036-AH-30K-Z301/S301	2700-3200K	4608							
TPM-050-AH-60K-Z301/S301	5500-6500K	6650	120°	SMD2835	AC220-240V 50/60Hz	50	0.3	> 80	≥0.9
TPM-050-AH-50K-Z301/S301	4700-5300K	6750							
TPM-050-AH-40K-Z301/S301	3800-4200K	6650							
TPM-050-AH-30K-Z301/S301	2700-3200K	6400							

- 1.Suitable for humid and mild environment ;
- 2.Without emergency function for 0,6M;
- 3.The above are 130 and 150 light effects;
- 4.Power 65W needs to be customised



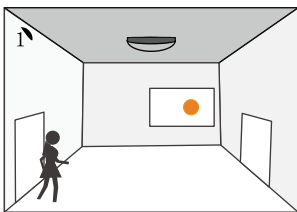
Detection coverage:

Sensitivity: **25%** **50%** **75%** **100%**

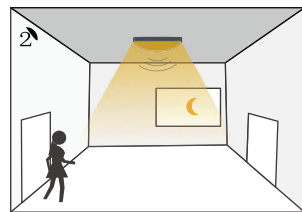


Application ON/OFF function

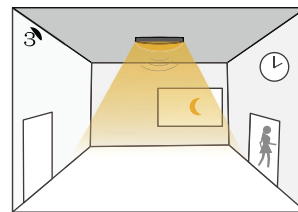
1). The daylight threshold is set to "5Lux/15Lux/50Lux/100Lux/300Lux, Stand-by period is set to "0s".



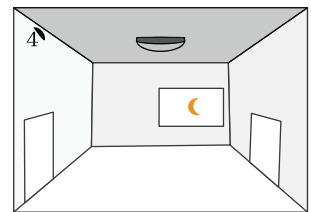
With sufficient daylight, even when motion detected, light remains OFF.



With insufficient ambient brightness, light dims to 100% when motion was detected.

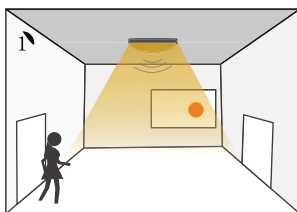


Light keeps on 100% within the holdtime.

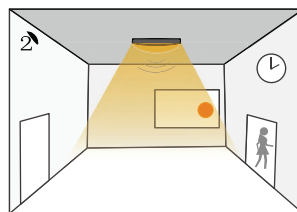


After the last detection and the preset hold time elapsed, light OFF.

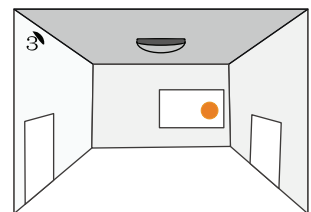
2). The daylight threshold is set to "Disable". Light on when detect movement, After people leave, Light off after stand-by period.



When motion is detected, the sensor will switch on the light to 100% brightness.



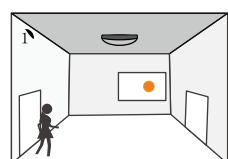
After people leave the detection area, light remains 100% brightness within hold time.



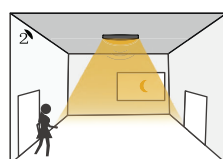
After the last detection and the present hold time elapsed, light OFF.

Tri-level Dimmable control/Corridor function

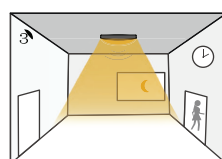
The daylight threshold is set to "5Lux/15Lux/50Lux/100Lux/300Lux, stand-by period is set to "30s/3min/5min/15min/45min".



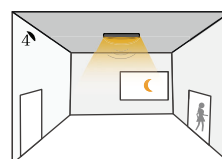
With sufficient daylight, even when motion detected, light remains OFF.



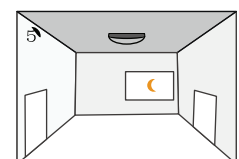
With insufficient ambient brightness, light dims to 100% when motion was detected.



Light keeps on 100% within the holdtime.



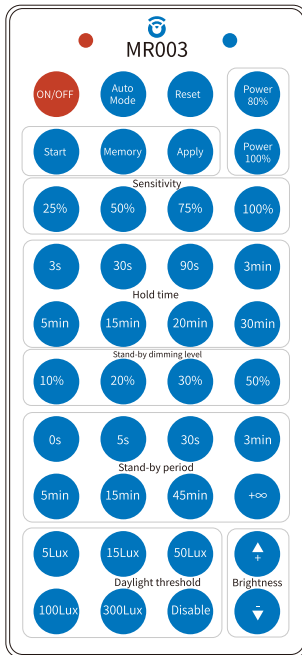
Light dims to standby level if no motion detected after holdtime.



After the stand-by period, light OFF.



MR003 Programmable one key commission remote controller

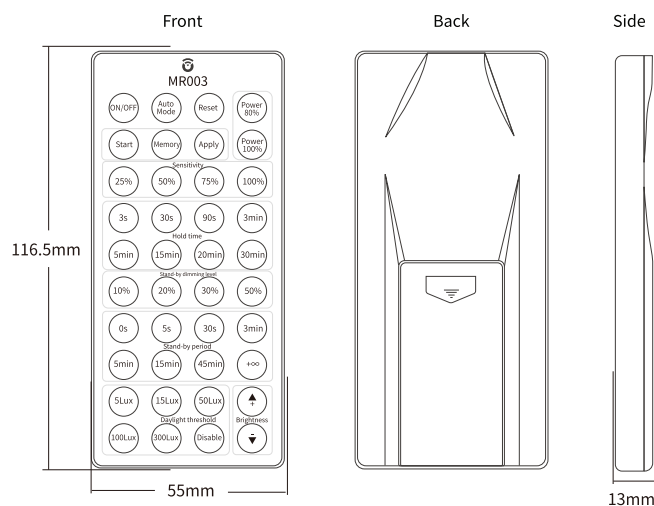


Key	Function	
ON/OFF	Setting the light permanent ON or OFF without motion mode	
Auto	Switch to sensor mode and restore the latest sensor setting	
Reset	Turn the sensor in a default setting (3s hold time, 0s stand-by period, lux disable, 100% sensitivity).	
Power (80%/100%)	Quick setting the power output in 80% or 100%	
Brightness (+/-)	Long press this button to set the power from 20% to 100%, available in permanent ON mode or in sensor mode.	
Start	Program Mode 1. Press Start to program mode, then select the ①Sensitivity② Holdtime③Standby dimming level④Standby period⑤Daylight threshold to setting 2. Press Memory to save the parameters ①-⑤ had selected in step 1 3. Press Apply to transmit the ①-⑤ parameters to the target sensor Remark: After press Start, you need to press any of ①-⑤ parameter button within 30S, the time window between press any button is 30S, it will quit program mode if no any button is pressed within 30S.	
Memory		Save Setting
Apply		One Key Apply
Sensitivity	In this area, movement will be detected and able to trigger the sensor. 100% detection area is also known as the strongest sensitivity.	
Hold time	The period of light keeping 100% brightness after moving objects leave the detection area.	
Stand-by dimming level	The dimming level in the standby period.	
Stand-by period	The period of light keeping low output before it's completely switched off. When it's preset as "+∞", the light always keep at low output if no movement in the detection area and doesn't turn off.	
Daylight threshold	Definition of the ambient brightness; when the ambient brightness is lower than the preset specific lux amount, the sensor will work; when it's preset as "disable", the sensor will detects motion regardless the ambient brightness.	

Remote Setting Tips: When press any button, if the light is flickering one time, means the setting is successful.

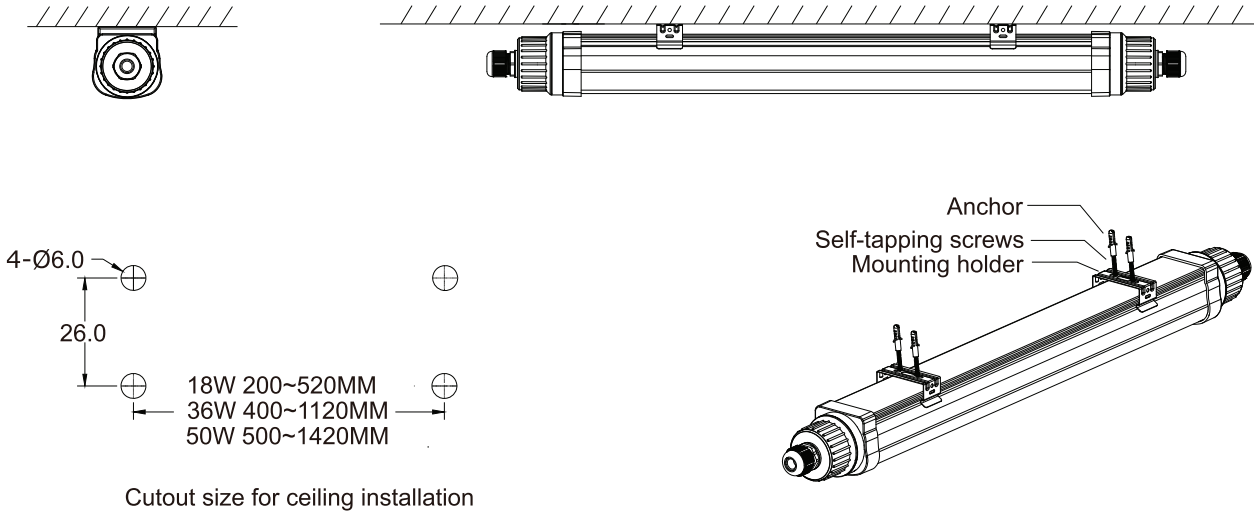
Size (L*W*H): 116.5*55*13mm

Use 2x AAA batteries 1.5V



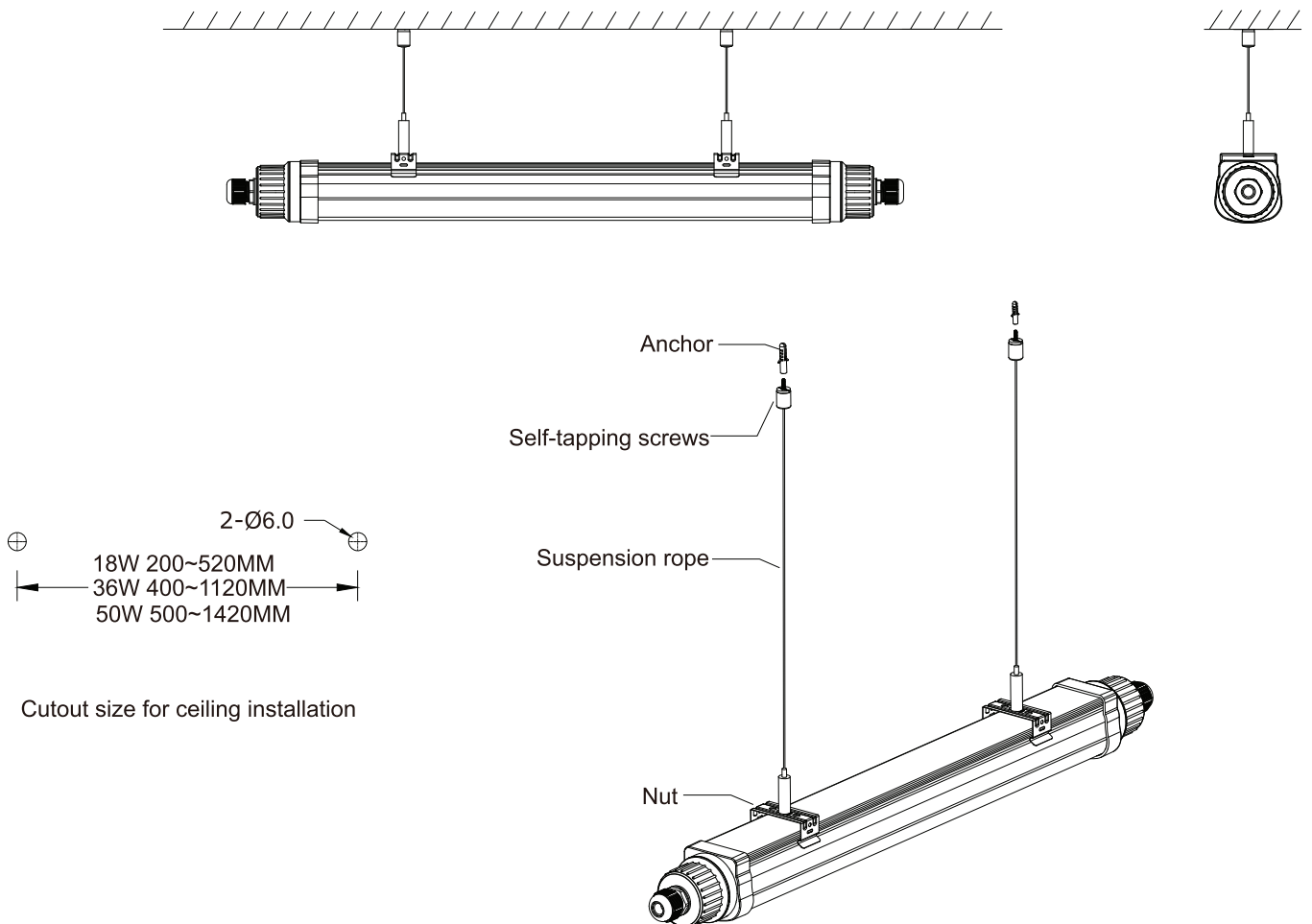


Ceiling installation A



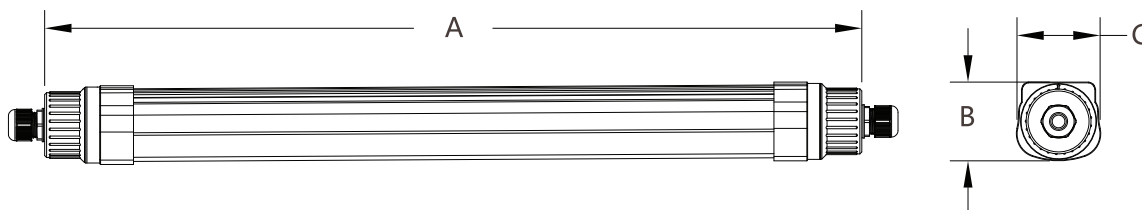
Note: conventional products are not equipped with plastic anchor and self-tapping screw.

Ceiling installation B





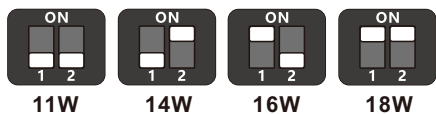
Dimensions(Unit:mm/inch):



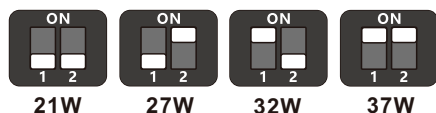
Identification	A	B	C
18W	600/23.62"	60/2.3"	64/2.5"
36W	1200/47.24"	60/2.3"	64/2.5"
50W/65W	1500/59.06"	60/2.3"	64/2.5"

CCT&Power Adjustable:

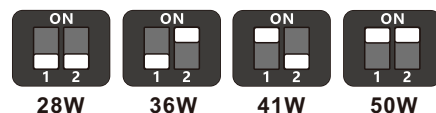
Power adjustable



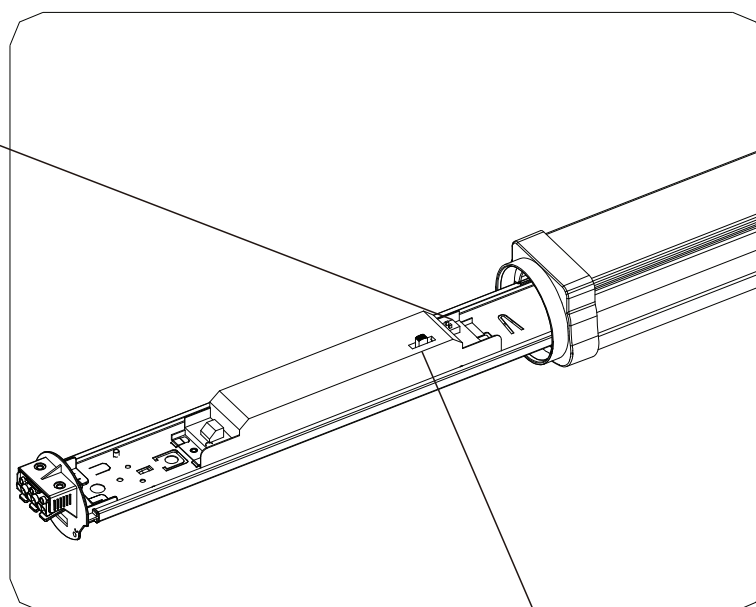
18W Power Adjustable



36W Power Adjustable

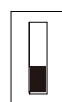


50W Power Adjustable



CCT Adjustable

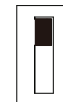
CCT Adjustable



3000K



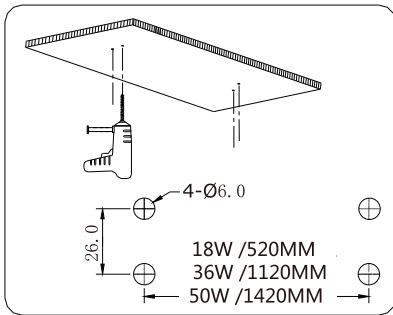
4000K



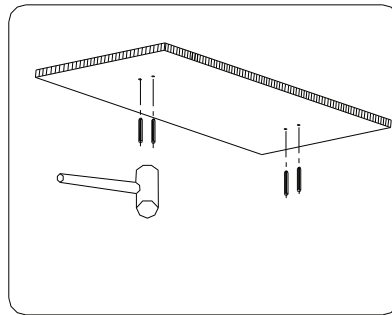
6000K



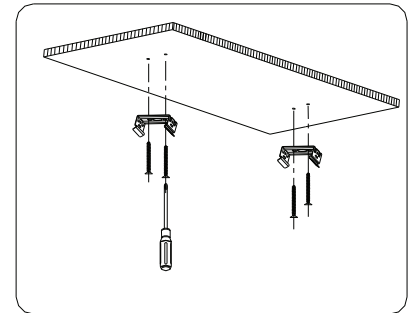
Ceiling Installation drawings:



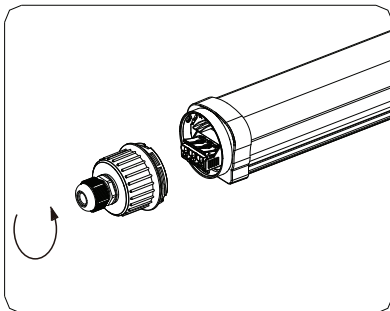
1. Drill hole size of ceiling.



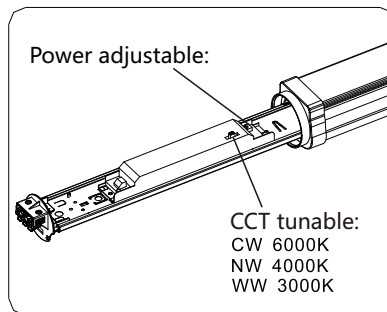
2. Hammer the Anchor into the hole.



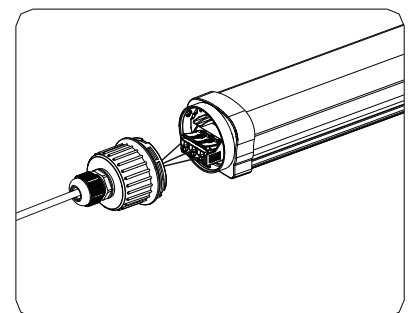
3. Install the Self-tapping screws into the Anchor and fix it by a philips screwdriver.



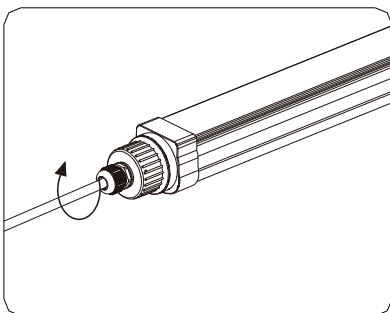
4. Open by rotating the end cap.



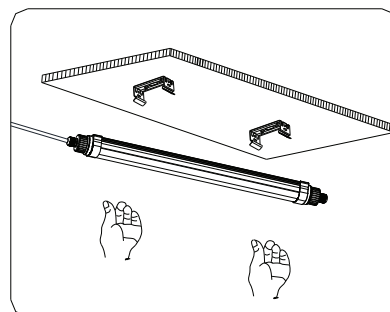
5. Take out the module to adjust the required power and CCT.



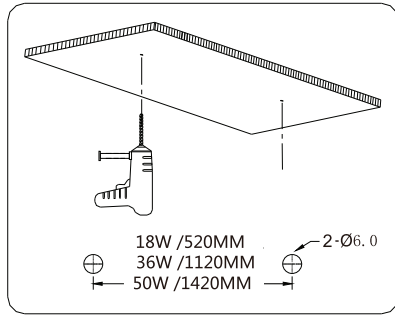
6. Wiring according to identification.



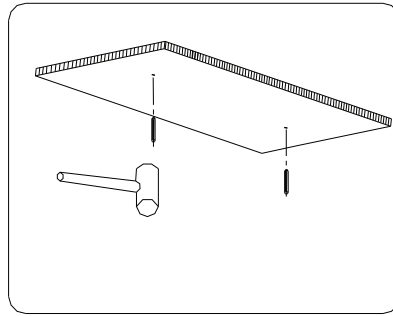
7. End caps are fastened to the lamp and screwed M20.



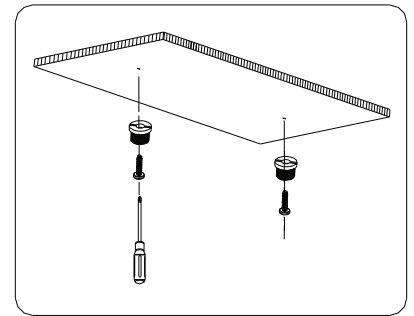
8. Clip the lamp onto a fixed bracket on the ceiling.



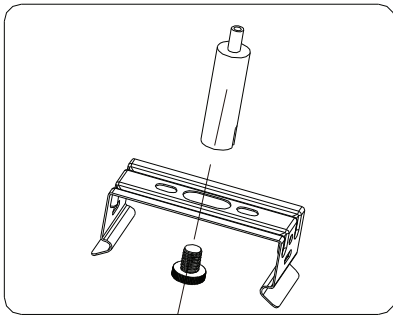
1. Drill hole size of ceiling installation.



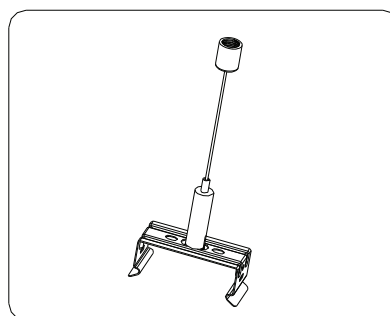
2. Hammer the Anchor into the hole.



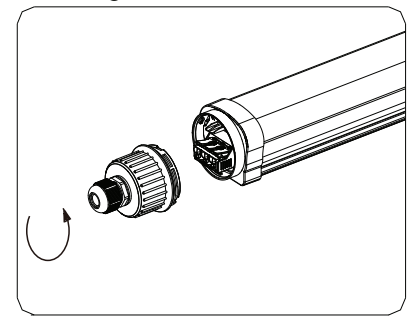
3. Install the Self-tapping screws into the hollow nut and fix it to the Anchor on the ceiling.



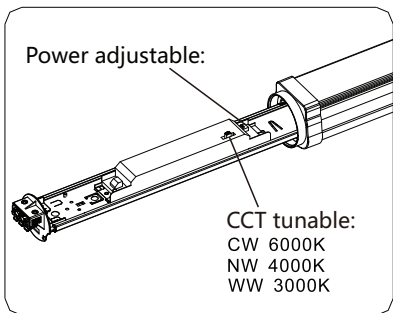
4. Screw the nut on the retainer through the ceiling bracket.



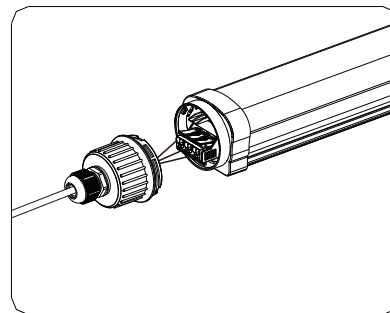
5. Pass the suspension sling through the retaining sleeve, tighten it on the hollow nut, and then pass the other end through the retainer.



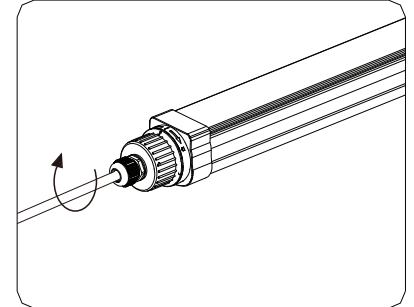
4. Open by rotating the end cap.



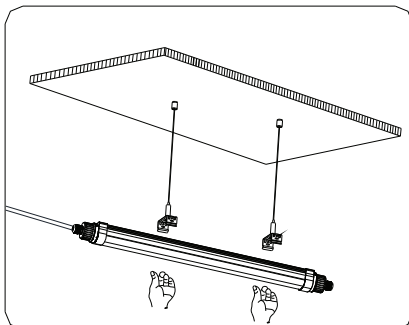
5. Take out the module to adjust the required power and CCT.



6. Wiring according to identification.



7. End caps are fastened to the lamp and screwed M20.



9. Fix the lamp into the clip of suspension rope.



Product packaging information:

Size/Power	Inner packing size	Carton size	Net weight	Gross weight	Quantity
0.6M/18W	680*80*70MM	695*260*225MM	0.60Kg	0.90Kg	9pcs/Carton
1.2M/36W	1280*80*70MM	1295*260*225MM	1.00Kg	1.50Kg	9pcs/Carton
1.5M/50W/65W	1580*80*70MM	1595*260*225MM	1.30Kg	1.90kg	9pcs/Carton

Installation requirement:

1. Please read the instructions carefully before installation.
2. Power off before installation.
3. Thread the input cable through the waterproof joint, and then connect the input wire end with the terminal to ensure reliable contact.
4. Tighten the rotary knob holder.
5. Choose ceiling installation, fix ceiling bracket on the installation surface via self-tapping screws and flat gasket, then snap the lamp body into bracket.
6. If you choose suspension installation, please first fix the steel wire on the installation surface, and fix the wirelock on bracket with nut, then snap the lamp body into bracket, finally adjust the length of steel wire.
7. CCT tunable lamps: through DIP switch to realize the adjustment between 3 kinds of CCT.

Notice

1. Please first read the product specification carefully, make sure the using environment conform to specification, then it can be used.
2. Please confirm input voltage, frequency before use.
3. The lamp must be installed by professionals.
4. If there is any damage to the power wire or shell of the product, it should be taken as defective product and do not use it.
5. Dangerous high voltage, non-professionals are not allowed to maintain the product.
6. If external soft cable or soft wire of the light is damaged, it should be replaced by manufacturer or service agent or personnel with similar qualification to avoid danger.
7. When connect wire of AC, the terminal shouldn't press to external skin, ensure good contact.
8. Please do not let water enter the internal, please do not knock against the LEDs' surface.
9. Corrosivity in the using environment can't exceed the anti-corrosion grade regulation, if you have special requirement, please first consult with our company.
10. Working environment temperature of products with emergency function: 0°C ~ 40°C.
11. Side Installation on wall surface is not allowed.
12. Outdoor site application is prohibited.
13. Prohibited to use in strong acid and alkali environment.