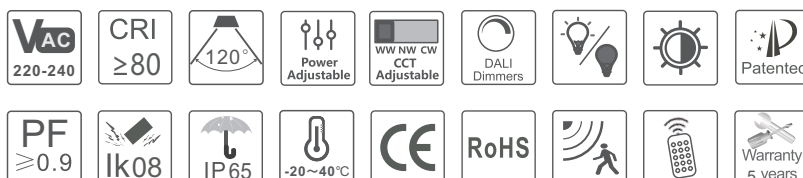




## S version tri-proof TPS-018/036/050-AH-XXK-ZYYY



### Description:

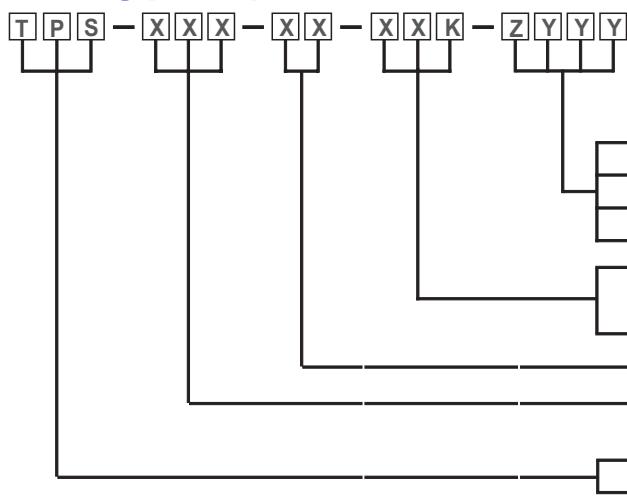
Sustainable version tri-proof is a modular design, openable and sustainable luminaire, so that we could benefit by more possibilities, easier maintenance, and less CO2 emission.

### Features:

- 1.Tool free installation:10s to complete the installation.
- 2.Modular and openable design for easy maintenance.
- 3.CCT and power tunable :Less SKU.
4. 3 or 6 wires loop in and out to be linkable in series.
- 5.Plug & play sensors , easy & flexible installation,can be installed wherever needed.



## Coding principle



- First:D:Dimming/S:induction/E:emergency functions /General: Space
- Second:Light efficiency discrimination, 3:130lm/W 5:160lm/W
- Third:1.One-end entry line; 2.Double-end entry line;
- Fourth:Power Division:1/5: ZHENGYUAN 6:Cupower 8:TRIDONIC 9:LIFUD
- Color Temperature:50( 5500-6500K) /40( 3800-4200K)/30( 2700-3200K)/
- TC:T( Tunable);C( CCT:3000K-4000K-6000K)
- K: Units
- Voltage: AH:220-240VAC / AW : 120-277VAC
- Power :18W/36W/50W/65W
- Power adjustable:(T18/T15/T10) (T36/T28/T20)(T50/T42/T36)
- TP:Triple Light
- S:S Series

## Technical parameters:

Model	CCT	Lumen(lm) (±10%)	Beam angle	LEDs type	Voltage, frequency	Power(w) (±10%)	Max. current (A)	CRI	PF
TPS-018-AH-60K-YYY/DYYY/SYYY	5500-6500K	2340	120°	SMD2835	AC220-240V 50/60Hz	18	0.12	> 80	≥0.9
TPS-018-AH-50K-YYY/DYYY/SYYY	4700-5300K	2350							
TPS-018-AH-40K-YYY/DYYY/SYYY	3800-4200K	2345							
TPS-018-AH-30K-YYY/DYYY/SYYY	2700-3200K	2130							
TPS-036-AH-60K-YYY/SYYY/EYYY/DYYY	5500-6500K	4680	120°	SMD2835	AC220-240V 50/60Hz	36	0.25	> 80	≥0.9
TPS-036-AH-50K-001/S001/E001/D001	4700-5300K	4685							
TPS-036-AH-40K-001/S001/E001/D001	3800-4200K	4690							
TPS-036-AH-30K-001/S001/E001/D001	2700-3200K	4260							
TPS-050-AH-60K-001/S001/E001/D001	5500-6500K	6500	120°	SMD2835	AC220-240V 50/60Hz	50	0.3	> 80	≥0.9
TPS-050-AH-50K-001/S001/E001/D001	4700-5300K	6520							
TPS-050-AH-40K-001/S001/E001/D001	3800-4200K	6550							
TPS-050-AH-30K-001/S001/E001/D001	2700-3200K	5910							
TPS-065-AH-60K-001/S001/E001/D001	5500-6500K	8400	120°	SMD2835	AC220-240V 50/60Hz	60	0.75	> 80	≥0.9
TPS-065-AH-50K-001/S001/E001/D001	4700-5300K	8450							
TPS-065-AH-40K-001/S001/E001/D001	3800-4200K	8460							
TPS-065-AH-30K-001/S001/E001/D001	2700-3200K	7680							

1.Suitable for humid and mild environment; / 2.The above are conventional light effect data;  
 3.Without emergency function for 0,6M; / 4.Without power adjust and induction functions when DALI dimming.  
 5. 160lm/w also available.



### Application:

It can be widely used in parking lots, factory, warehouses, Industrial areas.



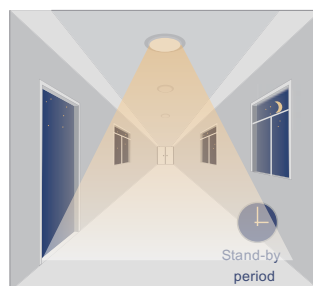
### Sensor & Intelligent Control



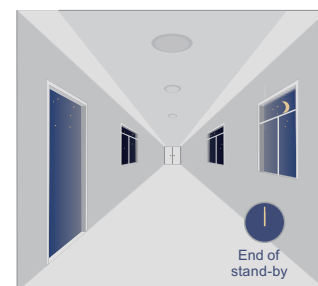
After power on,when motion detected,light ON.



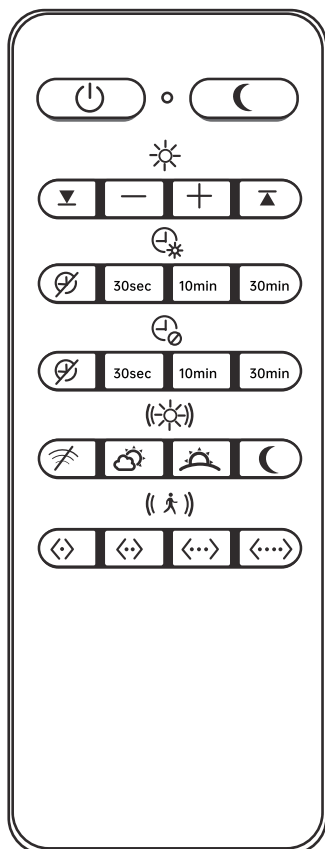
Light goes to the holdtime and keeps current brightness after motion leaves.



Light goes to the standby period and keeps only 50% of the current brightness.



Stand-by time elapsed,light OFF.

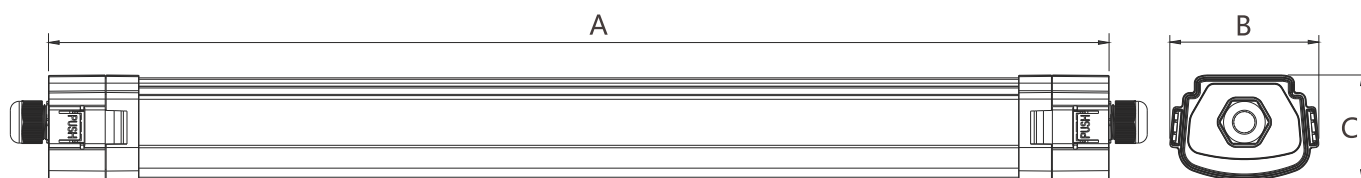


	Function	Performance	
	ON/OFF	Turn ON and OFF the light	
	Evening Light	Keep the light at 10% output.	
		Lowest Output	Dim the light to lowest 10% output.
		DIM -	Every press will dim light 10% darker.
		DIM +	Every press will dim light 10% brighter.
		Highest Output	Dim the light to highest 100% output.
	Holdtime Options	The time period keeping light at present brightness, can be 30S/10min/30min. ☹ It means 0S holdtime.	
	Standby Period Options	The time period keeping light at standby output, can be 30S/10min/30min. ☹ It means 0S standby period.	
		Daylight Disable	It means daylight disabled.
		Cloud Mode	It means ambient brightness of cloudy days, daylight is around 200-380lux.
		Dusk Mode	It means ambient brightness of dusk, daylight is around 100-200lux.
		Dusk Mode	It means ambient brightness of dusk, daylight is around 50-100lux.
		Very Close	Very close detection area, about 0.5-2m.
		Close	Close detection area, about 1-3m.
		Medium	Medium detection area, about 2-4m.
		Far	Far detection area, about 3-6m.

Remark: TPS series without daylight threshold function.

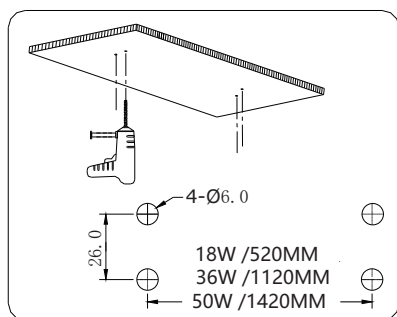


## Dimensions(Unit:mm/inch):

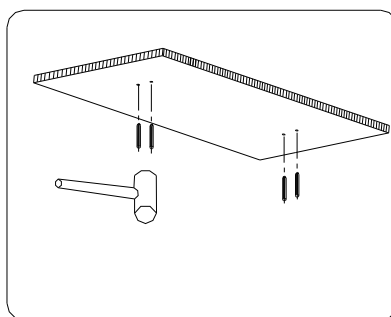


Identification	A	B	C
18W	600/23.62"	84/3.3"	59/2.32"
36W	1200/47.24"	84/3.3"	59/2.32"
50W/65W	1500/59.06"	84/3.3"	59/2.32"

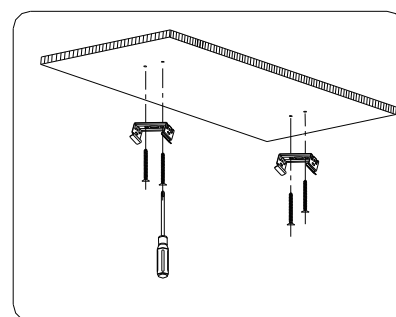
## Ceiling Installation drawings:



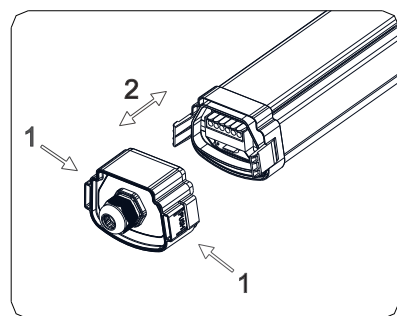
1. Drill hole size of ceiling.



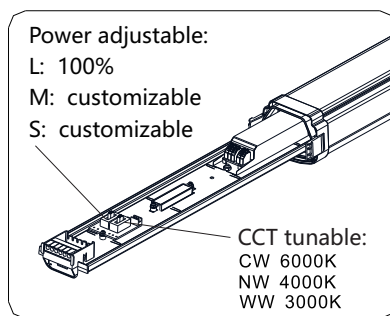
2. Hammer the Anchor into the hole.



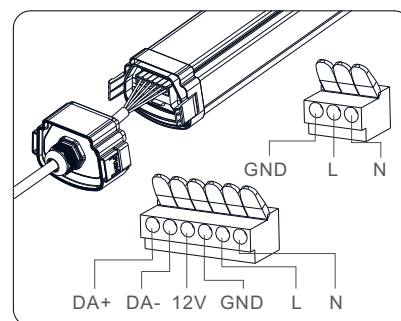
3. Install the Self-tapping screws into the Anchor and fix it by a philips screwdriver.



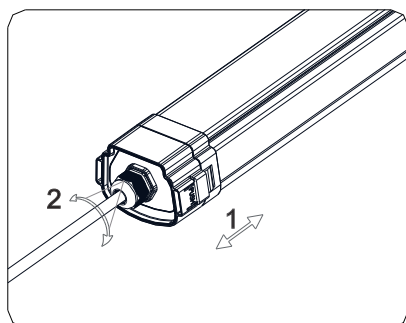
4. Press the pinch button first, and remove the end cap.



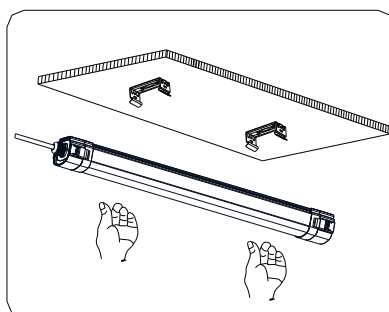
5. Take out the module to adjust the required power and CCT.



6. Wiring according to identification.



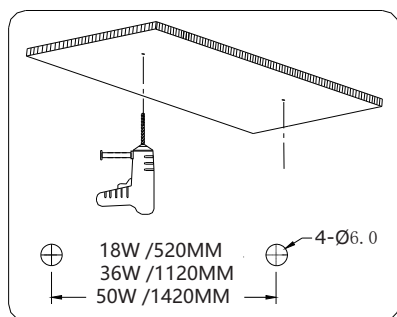
7. End caps are fastened to the lamp and screwed M20.



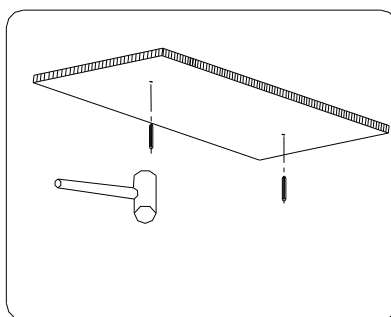
8. Clip the lamp onto a fixed bracket on the ceiling.



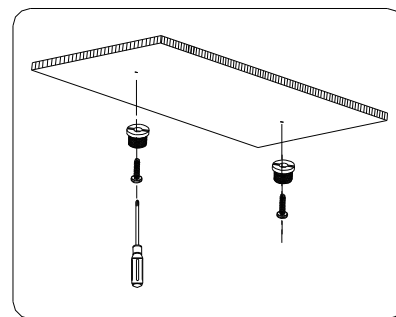
## Sling Installation drawings:



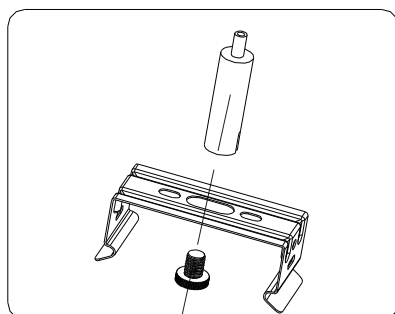
1. Drill hole size of ceiling .



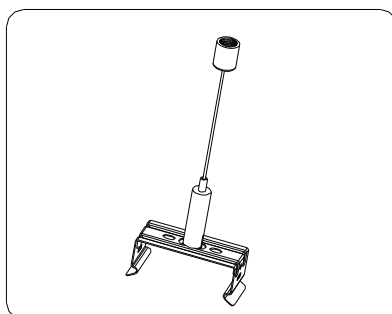
2. Hammer the Anchor into the hole.



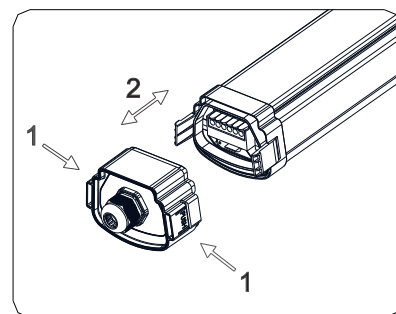
3. Install the Self-tapping screws into the hollow nut and fix it to the Anchor on the ceiling.



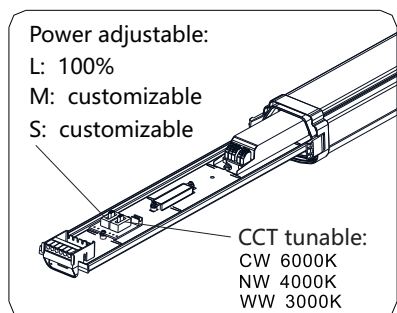
4. Screw the nut on the retainer through the ceiling bracket.



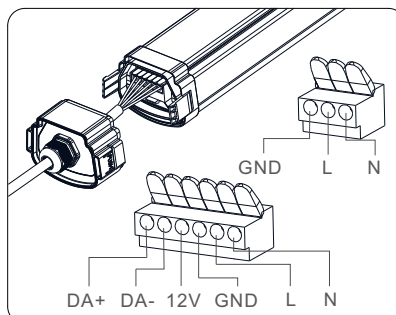
5. Pass the suspension sling through the retaining sleeve, tighten it on the hollow nut, and then pass the other end through the retainer.



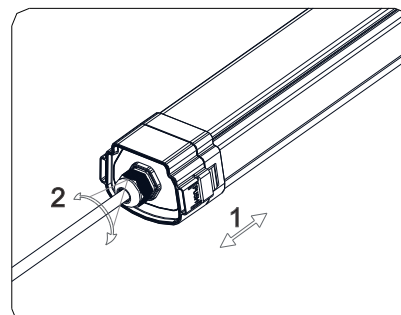
6. Press the pinch button first, and remove the end cap.



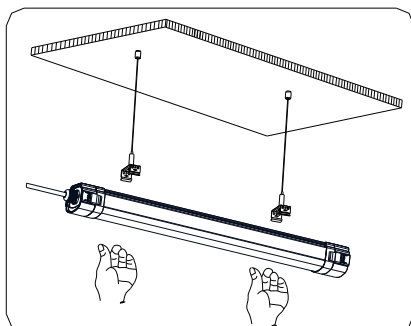
7. Take out the module to adjust the required power and CCT.



6. Wiring according to identification.



9. End caps are fastened to the lamp and screwed M20.



10. Fix the lamp into the clip of suspension rope.



## Product packaging information:

Size/Power	Inner packing size	Carton size	Net weight	Gross weight	Quantity
0.6M/18W	645*95*70mm	660*300*230mm	0.60Kg	0.90Kg	9pcs/Carton
1.2M/36W	1245*95*70mm	1260*300*230mm	1.00Kg	1.50Kg	9pcs/Carton
1.5M/50W/65W	1545*95*70mm	1560*300*230mm	1.30Kg	1.90kg	9pcs/Carton

## Installation requirement:

1. Please read the instructions carefully before installation.
2. Power off before installation.
3. Thread the input cable through the waterproof joint, and then connect the input wire end with the terminal to ensure reliable contact.
4. Tighten the rotary knob holder.
5. Choose ceiling installation, fix ceiling bracket on the installation surface via self-tapping screws and flat gasket, then snap the lamp body into bracket.
6. If you choose suspension installation, please first fix the steel wire on the installation surface, and fix the wirelock on bracket with nut, then snap the lamp body into bracket, finally adjust the length of steel wire.
7. CCT tunable lamps: through DIP switch to realize the adjustment between 3 kinds of CCT.

### Notice

1. Please first read the product specification carefully, make sure the using environment conform to specification, then it can be used.
2. Please confirm input voltage, frequency before use.
3. The lamp must be installed by professionals.
4. If there is any damage to the power wire or shell of the product, it should be taken as defective product and do not use it.
5. Dangerous high voltage, non-professionals are not allowed to maintain the product.
6. If external soft cable or soft wire of the light is damaged, it should be replaced by manufacturer or service agent or personnel with similar qualification to avoid danger.
7. When connect wire of AC, the terminal shouldn't press to external skin, ensure good contact.
8. Please do not let water enter the internal, please do not knock against the LEDs' surface.
9. Corrosivity in the using environment can't exceed the anti-corrosion grade regulation, if you have special requirement, please first consult with our company.
10. Working environment temperature of products with emergency function: 0°C ~ 40°C.
11. Side Installation on wall surface is not allowed.
12. Outdoor site application is prohibited.
13. Prohibited to use in strong acid and alkali environment.