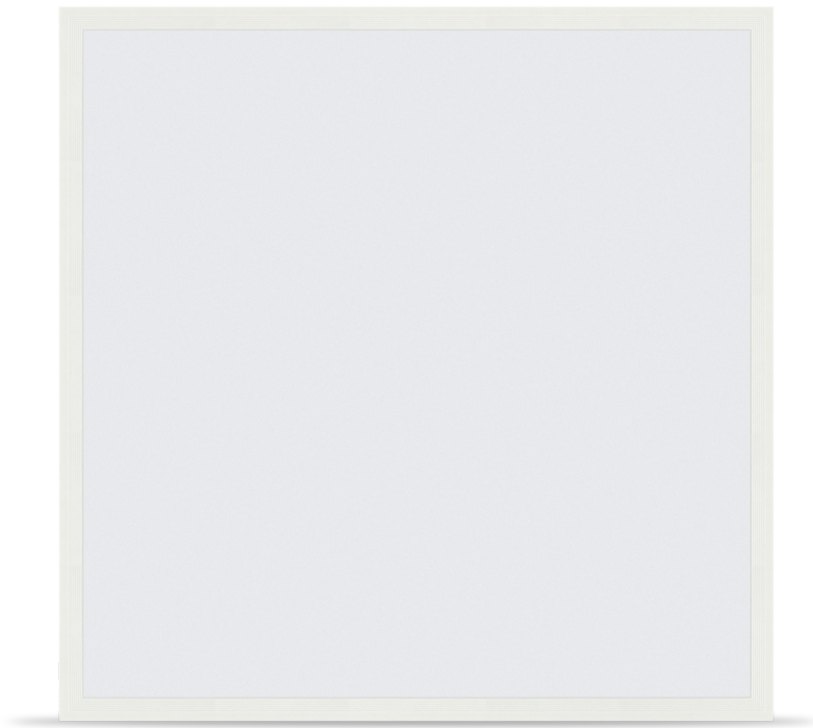


ETL Version LED Super Slim Backlit Panel Light



Contents

A . Product Features -----	P03
Description	
Features	
Application	
Specifications	
B. Dimensional illustration -----	P04
Dimensions (unit: feet)	
C. Installation -----	P05
Product picture	
Installation instruction	
Installation drawing	
Wiring diagram	
D. Packaging accessories -----	P06
Packaging information	
E. Notice -----	P06

Description

- The frame adopts jointing profile design and color of the external frame is RAL9003.
- Bottom of the back cover is produced by stamping structure, which can effectively guarantee the appearance of the product. The surface is processed by electrostatic dusting.
- High-haze diffusion plate effectively breaks up the light sent forth from the lamp, making the light more uniform.
- High-power 2835 LED, 1W of each, high lighting effect, lifetime of more than 50000 hours.
- High-light-transmittance and diffuse lens, which is pasted on the lamp panel by silica gel, changes the light of beam angle 120°, which is sent forth from LED, to beam angle of 180° when the light passes through it, thus breaks up the light effectively.
- An entire piece of reflective paper is pasted on the bottom of back cover to strengthen the diffuse reflection of light, thus enhances lighting effect of the product and makes the light more uniform.
- With Lifud 0-10V driver, with junction box, PF>0.9, efficiency>0.85
- Backlight panel light has very long life time, never turn dark or yellowish at the middle part.
- Three sizes are available: 2*2 feet, 1*4 feet and 2*4 feet

Features

- Lamp body material: Aluminum alloy + iron + PS
- Energy-saving percentage (compared with traditional type) With energy savings of up to 90% than incandescent light
- Lifetime: 50000H
- Exterior color: RAL9003 powder coated
- Available mode for other aspects: Recessed mounting
- Lighting effect: High efficiency up to 130LM/W, DLC standard and Premium version for optional
- Operating environment: -10°C~40°C

Application

The product can be used in office, hotel, shopping mall, office building, hospital and other places that require long warranty period.



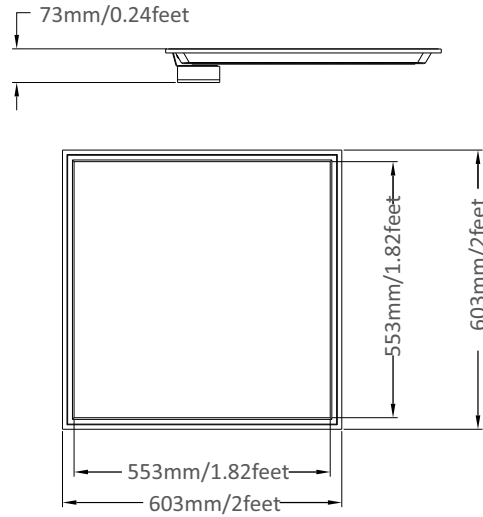
Specifications

Model	CCT	LED type	Light efficiency (-10%)	Lumen (±10%)	Power (±10%)	Voltage(V)	CRI	Beam angle	PF value	Protection grade
SC-PBCAW22- B40W-01CE	5000K	2835	100lm/W	4000lm	40W	100-277V	>80	110°	>0.9	IP40
SC-PBCAW22- B40W-01NE	4000K			4000lm	40W					
SC-PBCAW22- B40W-01WE	3000K			3600lm	40W					
SC-PBCAW14- B40W-01CE	5000K	2835	100lm/W	5000lm	40W					
SC-PBCAW14- B40W-01NE	4000K			5000lm	40W					
SC-PBCAW14- B40W-01WE	3000K			4500lm	40W					
SC-PBCAW22- B40W-H-01CE	5000K	2835	125lm/W	5080lm	40W					
SC-PBCAW22- B40W-H-01NE	4000K			5080lm	40W					
SC-PBCAW22- B40W-H-01WE	3000K			5000lm	40W					
SC-PBCAW14- B40W-H-01CE	5000K	2835	125lm/W	5080lm	40W					
SC-PBCAW14- B40W-H-01NE	4000K			5080lm	40W					
SC-PBCAW14- B40W-H-01WE	3000K			5000lm	40W					
SC-PBCAW24- B48W-H-01CE	5000K	2835	125lm/W	6048lm	48W					
SC-PBCAW24- B48W-H-01NE	4000K			6048lm	48W					
SC-PBCAW24- B48W-H-01WE	3000K			6000lm	48W					

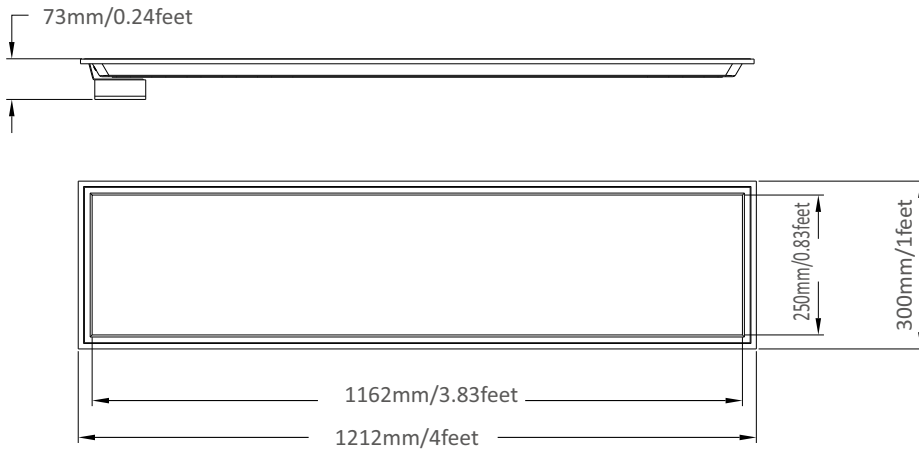
Remark: other color temperature for option: 2700K,3500K,4500K,5700K,6500K

Dimensions (unit: feet)

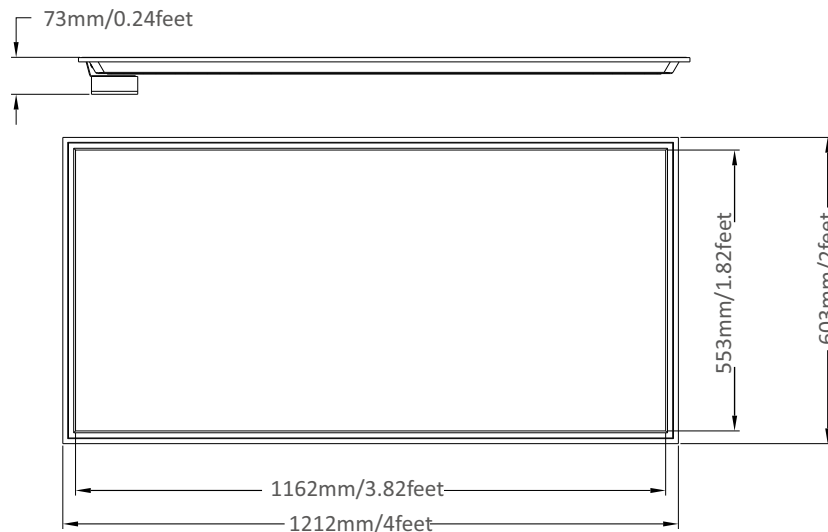
2*2 dimension diagram



1*4 dimension diagram



2*4 dimension diagram



Product pictures

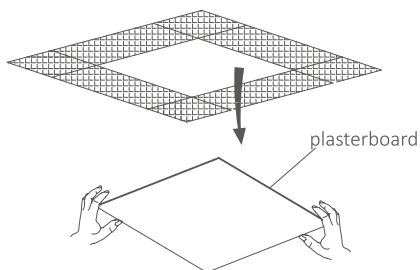


Installation instruction

- Power off before installation.
- Ensure that the installed object can bear the lamp weight. Open the groove on the ceiling according to corresponding size. Then install the lamp into the clamping groove on the ceiling.
- Then connect wire attached to the lamp onto the corresponding power cord and carry out insulation sealing at the joint.

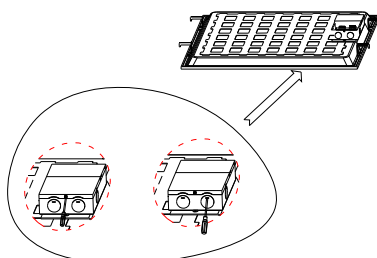
Installation drawing

1. Drill Holes



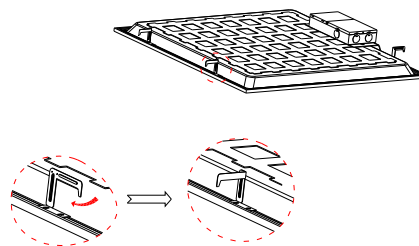
- Move away the plasterboard of corresponding size

3. Prepare the driver



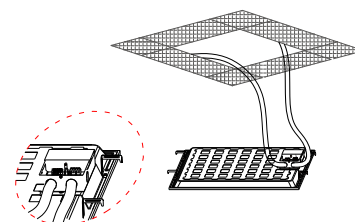
- Unscrew the upper cover of power supply box clockwise with cross screwdriver
- Open the side hole of power supply box with straight screwdriver

2. Rotate the hook



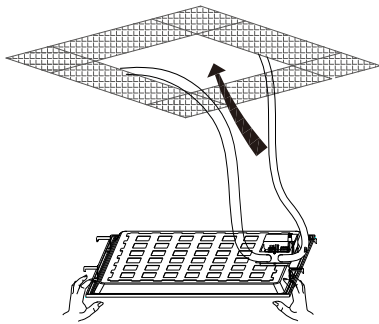
- Pull the hook to make it perpendicular to the lamp
- Rotate the hook by 90°

4. Connect the cable

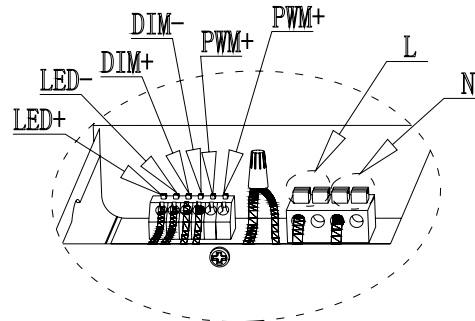
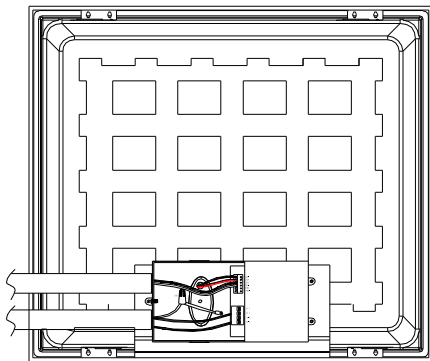


- Connect the white wire with N and connect black wire with L. Connect the yellow wire with yellow-green wire and then twist them together with a screw cap
- Connect the conduit with 0-10V dimming wire and connect the conduit with AC wire
- Please thread the left wire out from the left and thread the right wire out from the right. Do not thread the left wire from the right

5. Put the lamp into the ceiling and switch on the light to see if the installation is successfully completed



Wiring diagram



Packaging information

Information	Size	2*2feet	1*4feet	2*4feet
Net weight/CTN		2.3Kg	2.4Kg	3.9Kg
Gross weight/CTN		12Kg	14Kg	22.5Kg
Inner size		640*140*640mm	1250*140*340mm	1250*140*640mm
carton weight/CTN		670*300*670mm	1280*300*370mm	1280*300*670mm
Information		2PCS/inner box, 2 inner boxes/carton	2PCS/inner box, 2 inner boxes/carton	2PCS/inner box, 2 inner boxes/carton

Notice



- Please read the specification first, to make sure the service environment matches the condition in the specification before using.
- Please confirm the input voltage and frequency before using.
- The light must be installed by professional;
- If power wire or shell of the light is damaged, the light is unqualified and can't be used;
- Dangerous high voltage, non-professionals are not allowed to maintain the products;
- If the exterior soft cable or wire is damaged, it must be exchanged by the manufacturer, its agent or other similar qualified personnel to avoid dangers.



Yijia Industrial Park, Fuqian Road, Guanlan Town, LongHua, Shenzhen, Guangdong, China

Tel:+86-755-27608650
 Fax:+86-755-27608651
 www.signcomplex.com
 sales@signcomplex.com