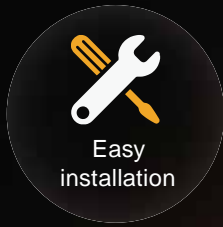


# SMD SMOOTH LINE SILICONE EXTRUSION

Smooth line technology brings new style lighting that instead of using COB LED strips





Leading efficacies in dot-free type,  
110lm/W, 130lm/W, 155lm/W

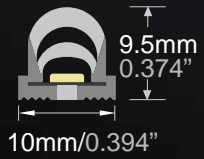
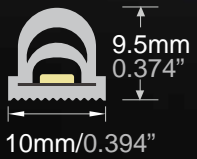
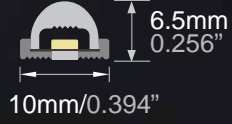
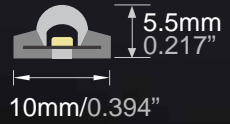
## DESCRIPTION

SMD smooth line silicone extrusion strip with uniform and soft light, good linearity, no glare, high color consistency, with the controller can achieve light brightness control. Through the control of lighting dynamic effect, it can adapt to different scene application, making immersive feeling.



# VARIOUS TYPES AVAILABLE

10\*9.5mm, 10\*6.5mm, 10\*5.5mm, 8\*3mm



# AVAILABLE COLORS

SWW/WW/NW/W/  
R/G/B/RGB/RGBW





## SOFT LIGHT

Soft light, dot free, linear light, extremely flexible,  
high reliability.

## GOOD BENDABILITY

High-end vapor phase silicone, good softness  
and plasticity.

## Comparison

		 Regular COB Strip
Luminous uniformity without light spots	★★★★★	★★★★☆
luminous surface	★★★★	★★★★☆
Brightness	★★★★	★★★☆☆
IP grade	IP67	IP20

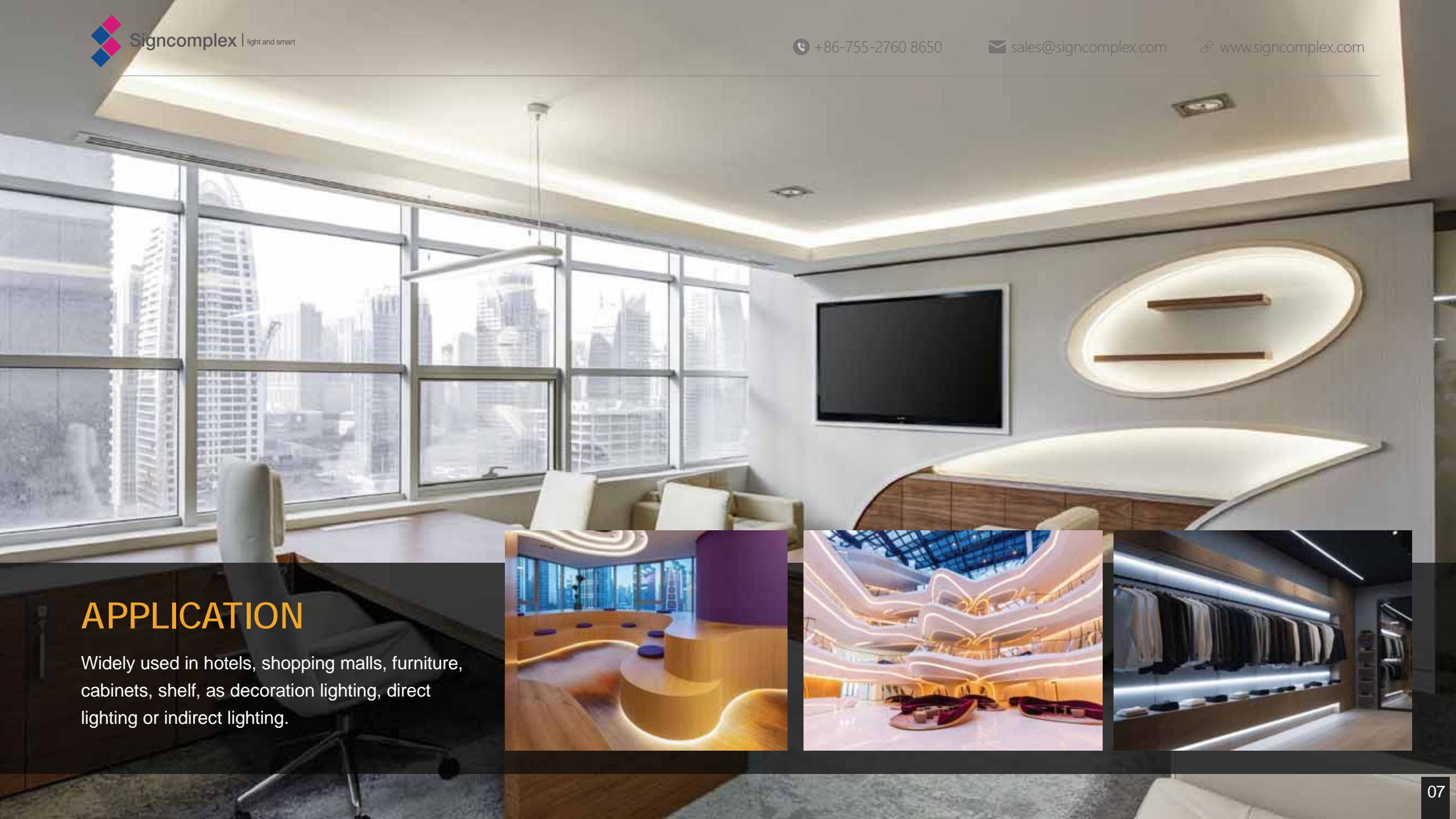
SMD smooth line silicone extrusion



Regular COB Strip Light

## IP67 WATERPROOF

SMD strip light with silicone extrusion process,  
providing excellent sealing performance.



## APPLICATION

Widely used in hotels, shopping malls, furniture, cabinets, shelf, as decoration lighting, direct lighting or indirect lighting.



## OPTIONAL LED TYPE

10\*5.5mm/ 10\*6.5mm/ 10\*9.5mm/ 8\*3mm optional



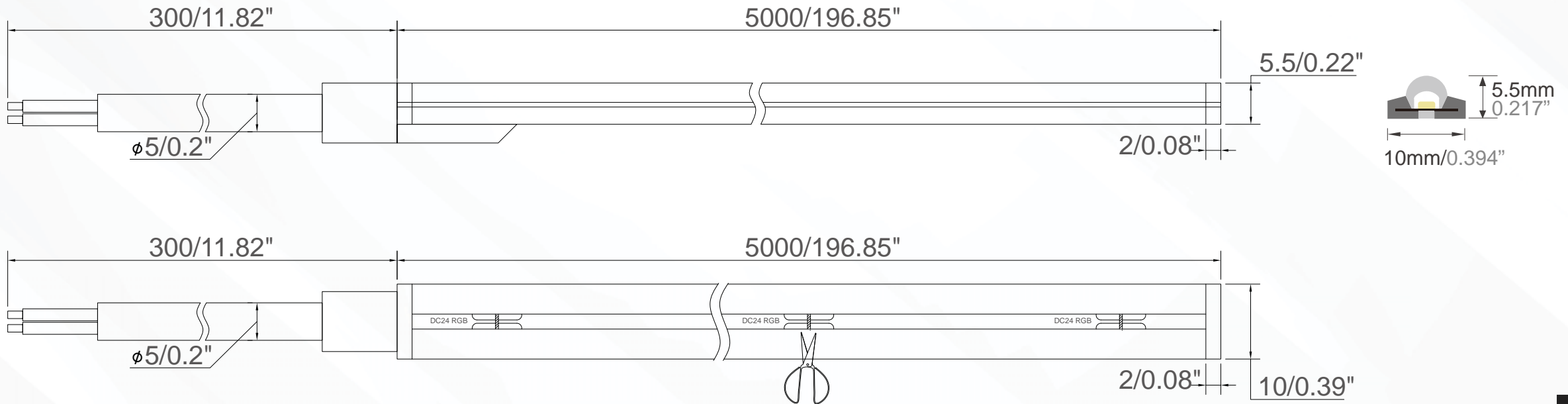


10\*5.5mm

## SPECIFICATIONS

Model	Wave Length CCT Range(for LED only)	Luminous Flux (lm/m)	CRI	LED Type	LED Qty (pcs/m)	Rated Watt (W)	Voltage (V)	Max. length (m)	Min. cut (mm)	Beam Angle	IP Grade
SC-2835-04/08-JT1005-XX-12/24-240-8-IP67	2700K/3000K/3500K/ 4000K/5000K/ 6000K/6500K	1400/1600/1900	CRI80/ CRI90	2835	240	12	24	5	66.67mm	140°	IP67
SC-2219-04/08-JT1005-XX-12/24-288-8-IP67	2700K/3000K/3500K/ 4000K/5000K/ 6000K/6500K	1100/1300		2219	288	9			55.56mm		

## DIMENSIONS (Unit: mm/inch)



10\*6.5mm

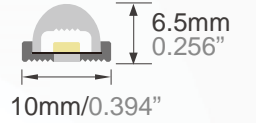
## SPECIFICATIONS

Model	Wave Length CCT Range(for LED only)		Luminous Flux (lm/m)	CRI	LED Type	LED Qty (pcs/m)	Rated Watt (W)	Voltage (V)	Max. length (m)	Min. cut (mm)	Beam Angle	IP Grade
SC-2835-07-JT1006W-XX-24-238-8-IP67	WW	2800-3200K	1380	80	2835	238	15	24	5	29.4	150°	IP67
	NW	3800-4500K	1560									
	W	6000-6500K	1600									
SC-2835-07-JT1006W-XXST-24-238-8-IP67	WW	2800-3200K	1850	80	2835	240	14.4	24	5	66.67	150°	IP67
	NW	3800-4500K	1950									
	W	6000-6500K	2000									
SC-2835-07-JT1006W-XX-24-240-8-IP67	WW	2800-3200K	1750	80	2835	240	14.4	24	5	66.67	150°	IP67
	NW	3800-4500K	1770									
	W	6000-6500K	1800									
	R	620-630nm	/	/								
	G	515-530nm	/									
	B	460-470nm	/									
SC-3528-14-JT1006W-60K-24-252-8-IP67	W	6000K-6500K	1600	70	3528	252	15	24	5	55.55	150°	IP67
SC-3528-14-JT1006W-23K80-24-252-8-IP67	SWW	2200K-2500K	1300	80								
SC-3528-14-JT1006W-23K90-24-252-8-IP67	SWW	2200K-2500K	1100	90								
SC-3528-14-JT1006W-30K90-24-252-8-IP67	WW	2800K-3200K	1200	90								
SC-3014-07-JT1006W-23K80-24-350-8-IP67	SWW	2200K-2500K	950	80	3014	350	15	24	5	20	150°	IP67
SC-3014-07-JT1006W-40K80-24-350-8-IP67	NW	3800K-4500K	1200	80								
SC-3014-07-JT1006W-22K90-24-350-8-IP67	SWW	2200K-2500K	800	90								
SC-3014-07-JT1006W-30K-24-350-8-IP67	WW	2800K-3200K	900	90								

**10\*6.5mm**

**DIMENSIONS** (Unit: mm/inch)

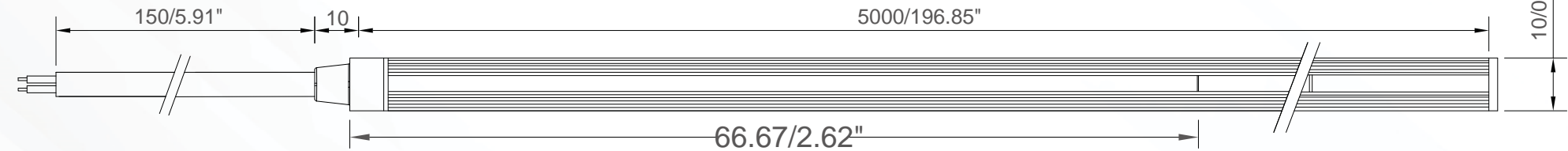
6.5/0.26"



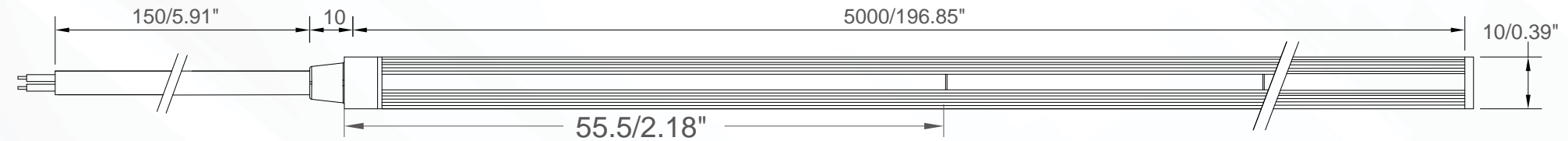
SC-2835-07-JT1006W-XX-24-238-8-IP67



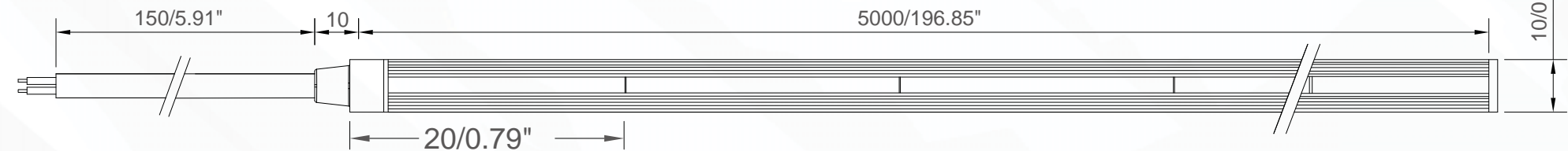
SC-2835-07-JT1006W-XX-24-240-8-IP67



SC-3528-14-JT1006W-XX-24-252-8-IP67



SC-3014-07-JT1006W-XX-24-350-8-IP67

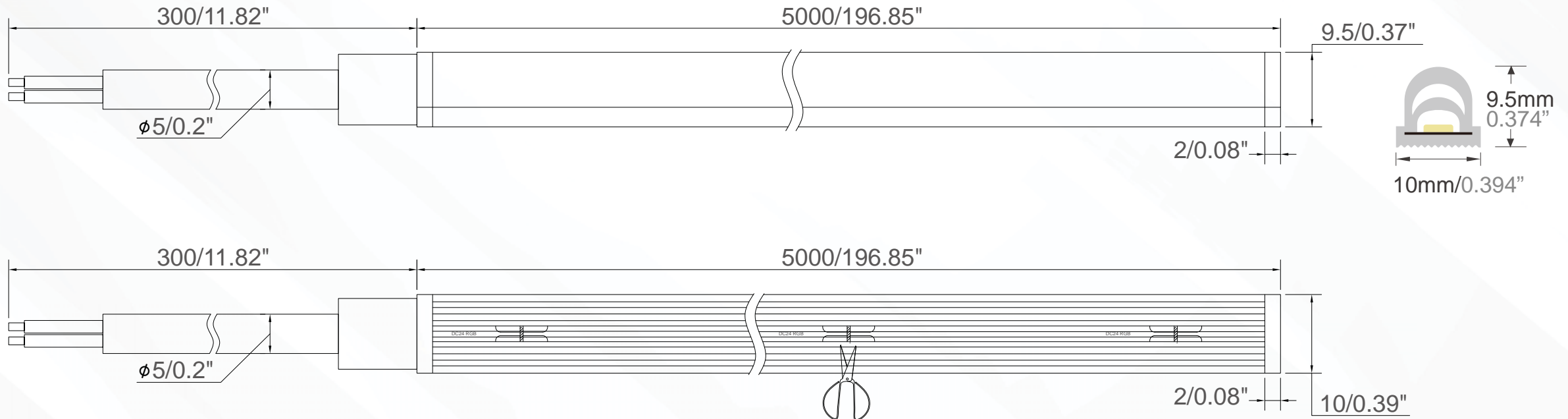


**10\*9.5mm<sub>(RGB)</sub>**

## SPECIFICATIONS

Model	Wave Length CCT Range(for LED only)	Luminous Flux (lm/m)	CRI	LED Type	LED Qty (pcs/m)	Rated Watt (W)	Voltage (V)	Max. length (m)	Min. cut (mm)	Beam Angle	IP Grade
SC-2835-07-JT1095-RGB-24-168-8-IP67	RGB R G B	/	/	2835RGB	168	14	24	5	41.67mm	130-140°	IP67

## DIMENSIONS (Unit: mm/inch)

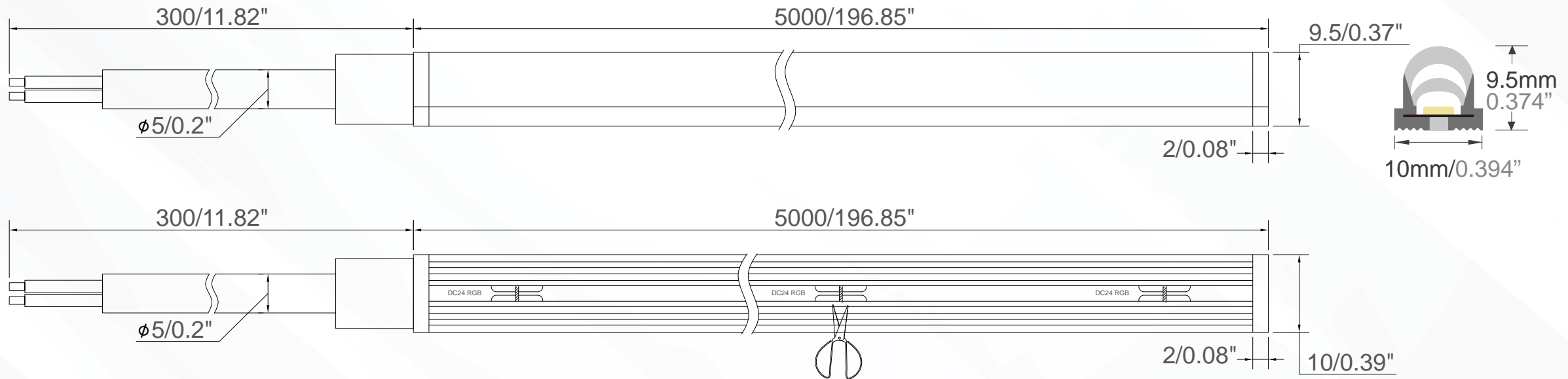


**10\*9.5mm<sub>(RGBW)</sub>**

## SPECIFICATIONS

Model	Wave Length CCT Range(for LED only)		Luminous Flux (lm/m)	CRI	LED Type	LED Qty (pcs/m)	Rated Watt (W)	Voltage (V)	Max. length (m)	Min. cut (mm)	Beam Angle	IP Grade
SC-ML-07-JT1095-RGBXX-24-252-8-IP67	RGBXX	R	/	/	2835RGB /2219	252	14	24	5	55.56mm	130-140°	IP67
G												
B												
2700K/3000K/3500K/ 4000K/5000K/6000K/6500K		100										

## DIMENSIONS (Unit: mm/inch)

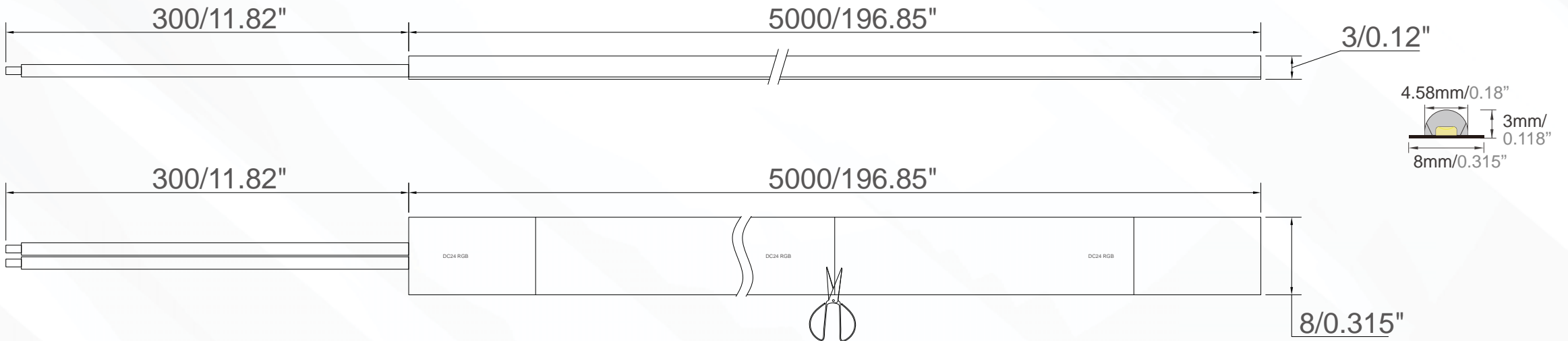


8\*3mm

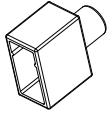
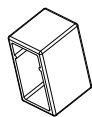
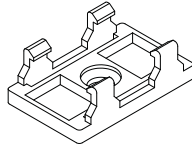
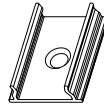
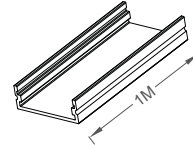
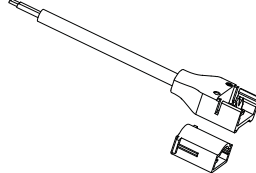
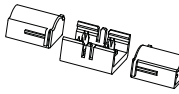
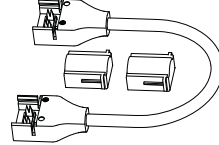
## SPECIFICATIONS

Model	Wave Length CCT Range(for LED only)		Luminous Flux (lm/m)	CRI	LED Type	LED Qty (pcs/m)	Rated Watt (w/m)	Voltage (V)	Max. length (m)	Min. cut (mm)	Beam Angle	IP Grade
	WW	2800-3200K										
SC-2219-04/08-D0803-XX-12/24-288-8-IP20	NW	3800-4500K	1350	CRI80	2219	288	9.6	12/24V	5	45.45mm	140°	IP20
	W	6000-6500K	1370									
	R	620-630nm	/									
	G	515-530nm										
	B	460-470nm										

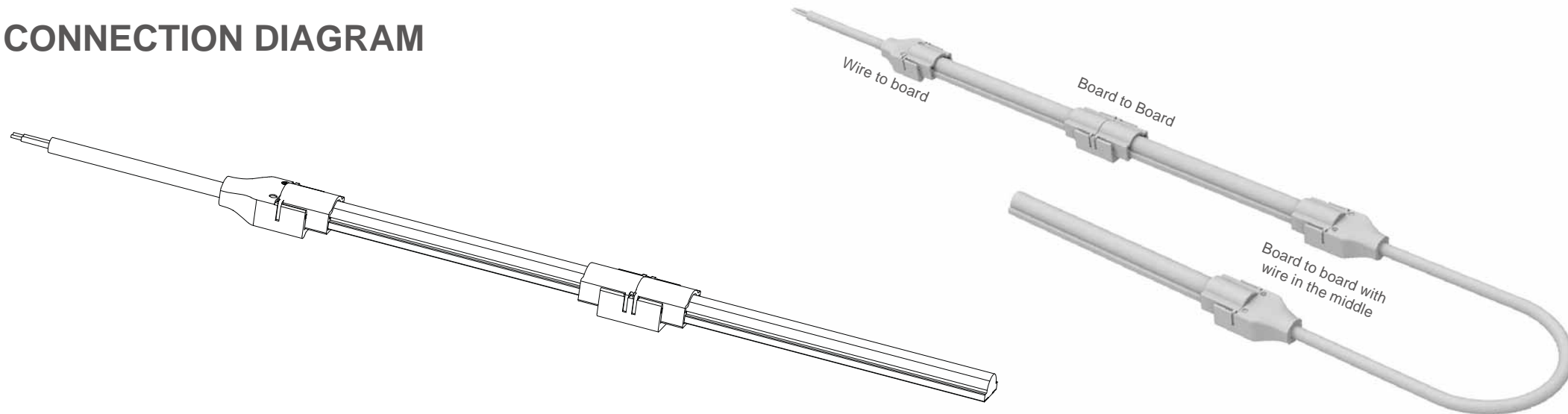
## DIMENSIONS (Unit: mm/inch)



## ACCESSORIES

End cap with hole	End cap without hole	Plastic mounting clip	Mounting clip	Mounting clip(1M)	Connector (Wire to board)	Connector (Board to Board)	Connector (Board to board with wire in the middle)
							
2pcs/5M	2pcs/5M	20pcs/5M Optional	20pcs/5M Optional	Optional	Optional (For single color)	Optional (For single color)	Optional (For single color)

## CONNECTION DIAGRAM



# INSTALLATION OPERATION (\*After cutting off the sealing head, the waterproof rating of the product is reduced from IP67 to IP65.)

1. Cut along the cutting line with scissors, as shown in Figure 3.

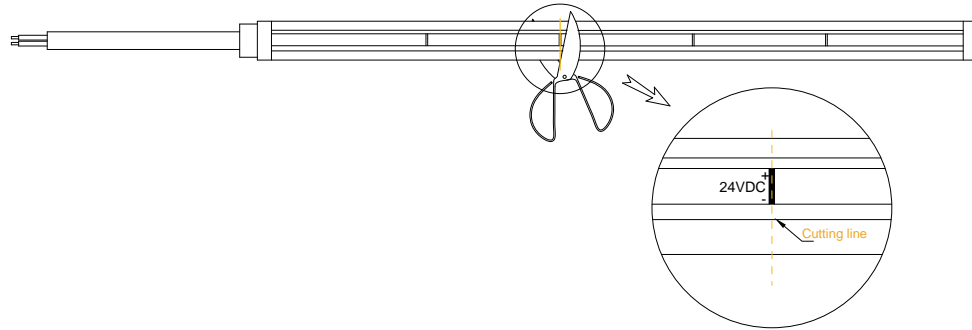


Figure 3

2. Fill the plug with glue, and put the neon flex into the plug, installation completed, as shown in Figure 4.

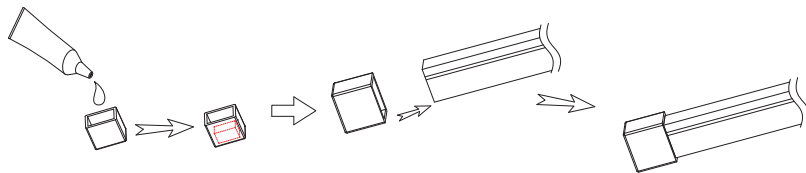


Figure 4

3. Cut off the adhesive on the back of the PCB to reveal the welding points, as shown in Figure 5.

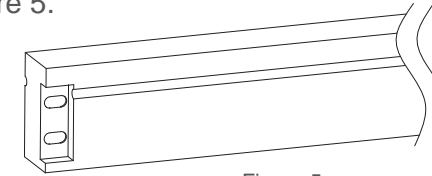


Figure 5

4. Use the soldering iron to solder the wire, as shown in Figure 6.

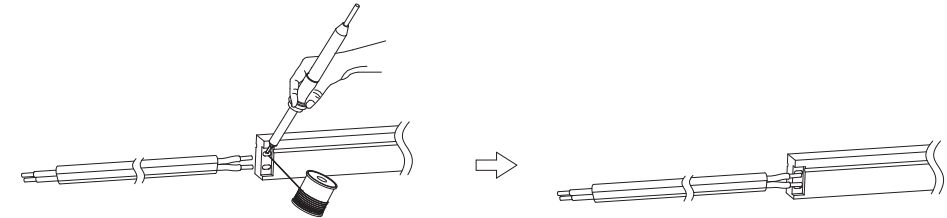


Figure 6

5. Put the wire encased into the plug, and repeat Figure 4 gluing steps, and then insert the neon flex into the plug, installation completed, as shown in Figure 7.

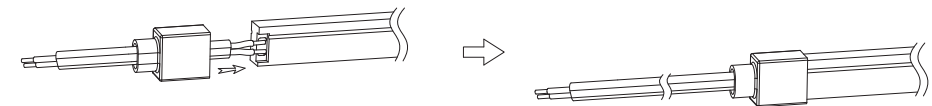
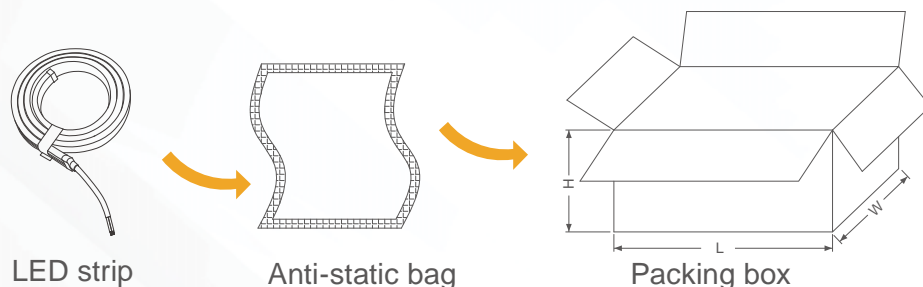


Figure 7



## PACKAGING INFORMATION



LED strip + Anti-static bag		Packing Box		
Part Number	Gross Weight per Reel	QTY per Carton	Gross Weight	Size(cm/inch)
SC-XXX-XX-JT1006W-XX-24-XXX-8-IP67	0.315KG	50	15.75KG	59cm*32.5cm*21.1cm 23.23"*12.79"*8.3"
SC-2835-07-JS1006W-XX-24-240-8-IP67	0.35KG	60	22KG	59cm*32.5cm*21.1cm 23.23"*12.79"*8.3"
SC-XXXX-04/08-JT1005-XX-12/24-288-8-IP67	0.35KG	60	22KG	59cm*32.5cm*21.1cm 23.23"*12.79"*8.3"
SC-2835-07-JT1095-RGB-24-168-8-IP67	0.475KG	40	20KG	35cm*35cm*35.5cm 13.78"*13.78"*13.98"
SC-ML-07-JT1095-RGBXX-24-252-8-IP67	0.475KG	40	20KG	35cm*35cm*35.5cm 13.78"*13.78"*13.98"
SC-XXX-XX-JT1006W-XX-24-XXX-8-IP67	0.475KG	50	15.75KG	59cm*32.5cm*21.1cm 23.23"*12.79"*8.3"



## INSTALLATION REQUIREMENT

- ⦿ The LED strip and accessories can't be squeezed or folded.
- ⦿ PCB conductive parts can't be damaged during installation.
- ⦿ Installation must conform to electrical safety standard. The LED strip can only be installed by professionals.
- ⦿ Ensure power supply transform operating load with transformer.
- ⦿ When installing on metal or conductor surface, insulation protection need to be provided to the contact area.
- ⦿ Observe positive and negative polarity, ensure correct connection to avoid damaging LED strip.
- ⦿ During installation, please prevent static electricity.
- ⦿ The product need anti-corrosion environment, such as, avoiding damp, water drop or other adverse elements.