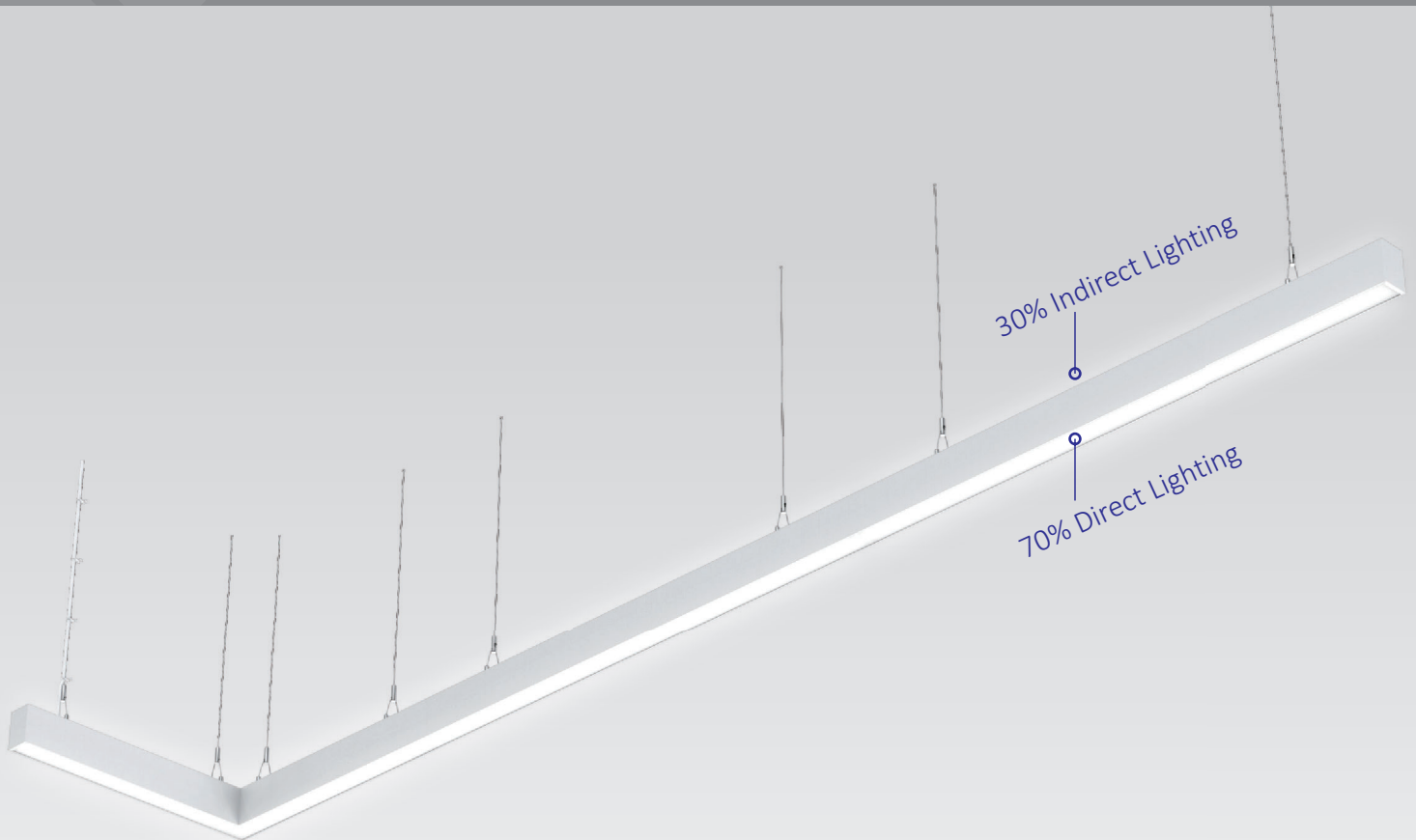


# SL8456 Linear Light with Direct and Indirect Lighting



## Application

- It is widely used in offices, schools, shopping malls, hotels and other indoor public places.

## Description

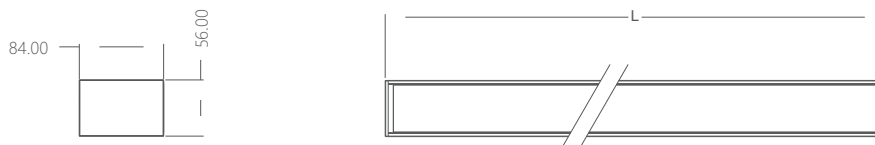
- SL8456 linear light is combination of separated structures, it is convenient to dismantle and maintain because of its replaceable power supply and lighting emitting parts(PCB+LEDs), simple shape and random jointing can be realized. IP40 waterproof, so it is can be widely used in home, school, shopping mall, hotel and other indoor public places, and it is mainly made of aluminum alloy, PC.

## Features

- The product can operate in single run or continuous runs seamless, when input voltage is AC220V, 900W can be connected; when input voltage is 110V, 450W can be connected.
- The lamp and power supply is connected with high-voltage live part via connector; it is very convenient to install and disassemble, and it is also safe and reliable to use.
- Lamp body adopt 6063 aluminum profile, optional white, black and silver.
- PC diffuser and Al6063 aluminum profile, with good heat distribution and high light efficiency.
- Multiple jointing can realized via "L" shape connecting accessories.
- With 30% indirect and 70% direct lighting.
- Prewired with  $0.75\text{mm}^2$  6 wires with copper core, L.N.G, DA+, DA-, EM+.

## Dimensions (unit: mm)

The dimension drawing for SL8456 direct and indirect linear light.



- 1.2m lamp size : L 1203\*56\*84mm;
- 1.5m lamp size : L 1505\*56\*84mm;
- 2.4m lamp size : L 2399\*56\*84mm.

The dimension drawing for L-shaped lamp



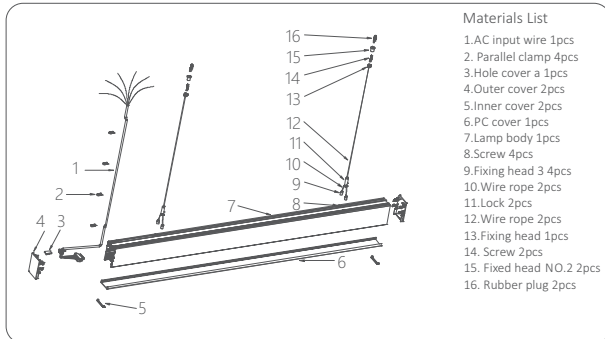
## Specifications

Model	Color	CCT	Luminous flux (lm±10%)	Power (W)	length (mm)	Beam angle(°)	Input Voltage(V)	LED type	LED Qty.	CRI	IP	PF	Dimming options	Pre-Wired	
SC-SL8456-040-UD-AW-CW	CW	6000K-6500K	4100	40W	1200	110°	200-240VAC 50/60Hz	SMD2835	252	> 80	IP40	> 0.9	No dimming	Pre-wire 6wires 0.75mm <sup>2</sup> Copper Core L.N.G DA+ DA- EM+	
SC-SL8456-040-UD-AW-NW	NW	3800K-4200K	4200												
SC-SL8456-040-UD-AW-WW	WW	2800K-3200K	4000												
SC-SL8456-050-UD-AW-CW	CW	6000K-6500K	5100	50W	1500	110°	200-240VAC 50/60Hz	SMD2835	322	> 80	IP40	> 0.9	No dimming		
SC-SL8456-050-UD-AW-NW	NW	3800K-4200K	5200												
SC-SL8456-050-UD-AW-WW	WW	2800K-3200K	5000												
SC-SL8456-080-UD-AW-CW	CW	6000K-6500K	8200	80W	2400	110°	200-240VAC 50/60Hz	SMD2835	504	> 80	IP40	> 0.9	No dimming		
SC-SL8456-080-UD-AW-NW	NW	3800K-4200K	8400												
SC-SL8456-080-UD-AW-WW	WW	2800K-3200K	8000												
SC-SL8456L-040-UD-AW-CW	CW	6000K-6500K	4100	40W	L-shape	110°	200-240VAC 50/60Hz	SMD2835	252	> 80	IP40	> 0.9	DALI dimming		
SC-SL8456L-040-UD-AW-NW	NW	3800K-4200K	4200												
SC-SL8456L-040-UD-AW-WW	WW	2800K-3200K	4000												
SC-SL8456-040-UD-DA-AW-CW	CW	6000K-6500K	4100	40W	1200	110°	200-240VAC 50/60Hz	SMD2835	252	> 80	IP40	> 0.9	DALI dimming		Pre-wire 6wires 0.75mm <sup>2</sup> Copper Core L.N.G DA+ DA- EM+
SC-SL8456-040-UD-DA-AW-NW	NW	3800K-4200K	4200												
SC-SL8456-040-UD-DA-AW-WW	WW	2800K-3200K	4000												
SC-SL8456-050-UD-DA-AW-CW	CW	6000K-6500K	5100	50W	1500	110°	200-240VAC 50/60Hz	SMD2835	322	> 80	IP40	> 0.9	DALI dimming		
SC-SL8456-050-UD-DA-AW-NW	NW	3800K-4200K	5200												
SC-SL8456-050-UD-DA-AW-WW	WW	2800K-3200K	5000												
SC-SL8456-080-UD-DA-AW-CW	CW	6000K-6500K	8200	80W	2400	110°	200-240VAC 50/60Hz	SMD2835	504	> 80	IP40	> 0.9	DALI dimming		
SC-SL8456-080-UD-DA-AW-NW	NW	3800K-4200K	8400												
SC-SL8456-080-UD-DA-AW-WW	WW	2800K-3200K	8000												
SC-SL8456L-040-UD-DA-AW-CW	CW	6000K-6500K	4100	40W	L-shape	110°	200-240VAC 50/60Hz	SMD2835	252	> 80	IP40	> 0.9	DALI dimming		
SC-SL8456L-040-UD-DA-AW-NW	NW	3800K-4200K	4200												
SC-SL8456L-040-UD-DA-AW-WW	WW	2800K-3200K	4000												
SC-SL8456-040-UD-EM-AW-CW	CW	6000K-6500K	4100	40W	1200	110°	200-240VAC 50/60Hz	SMD2835	252	> 80	IP40	> 0.9	Emergency + No dimming	Pre-wire 6wires 0.75mm <sup>2</sup> Copper Core L.N.G DA+ DA- EM+	
SC-SL8456-040-UD-EM-AW-NW	NW	3800K-4200K	4200												
SC-SL8456-040-UD-EM-AW-WW	WW	2800K-3200K	4000												
SC-SL8456-050-UD-EM-AW-CW	CW	6000K-6500K	5100	50W	1500	110°	200-240VAC 50/60Hz	SMD2835	322	> 80	IP40	> 0.9	Emergency + No dimming		
SC-SL8456-050-UD-EM-AW-NW	NW	3800K-4200K	5200												
SC-SL8456-050-UD-EM-AW-WW	WW	2800K-3200K	5000												
SC-SL8456-080-UD-EM-AW-CW	CW	6000K-6500K	8200	80W	2400	110°	200-240VAC 50/60Hz	SMD2835	504	> 80	IP40	> 0.9	Emergency + No dimming		
SC-SL8456-080-UD-EM-AW-NW	NW	3800K-4200K	8400												
SC-SL8456-080-UD-EM-AW-WW	WW	2800K-3200K	8000												
SC-SL8456-040-UD-(EM+DA)-AW-CW	CW	6000K-6500K	4100	40W	1200	110°	200-240VAC 50/60Hz	SMD2835	252	> 80	IP40	> 0.9	Emergency + DALI dimming		Pre-wire 6wires 0.75mm <sup>2</sup> Copper Core L.N.G DA+ DA- EM+
SC-SL8456-040-UD-(EM+DA)-AW-NW	NW	3800K-4200K	4200												
SC-SL8456-040-UD-(EM+DA)-AW-WW	WW	2800K-3200K	4000												
SC-SL8456-050-UD-(EM+DA)-AW-CW	CW	6000K-6500K	5100	50W	1500	110°	200-240VAC 50/60Hz	SMD2835	322	> 80	IP40	> 0.9	Emergency + DALI dimming		
SC-SL8456-050-UD-(EM+DA)-AW-NW	NW	3800K-4200K	5200												
SC-SL8456-050-UD-(EM+DA)-AW-WW	WW	2800K-3200K	5000												
SC-SL8456-080-UD-(EM+DA)-AW-CW	CW	6000K-6500K	8200	80W	2400	110°	200-240VAC 50/60Hz	SMD2835	504	> 80	IP40	> 0.9	Emergency + DALI dimming		
SC-SL8456-080-UD-(EM+DA)-AW-NW	NW	3800K-4200K	8400												
SC-SL8456-080-UD-(EM+DA)-AW-WW	WW	2800K-3200K	8000												

## Installation drawing

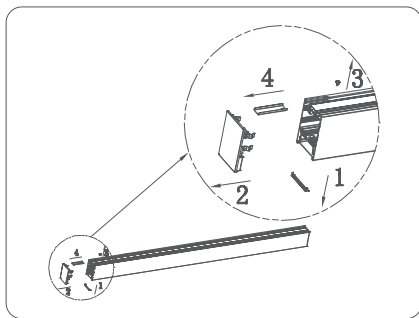
### The Single Lamp Installation of SL8456 Linear Light on Indirect and Direct Lighting

#### Single lamp Explosion diagram of suspending installation

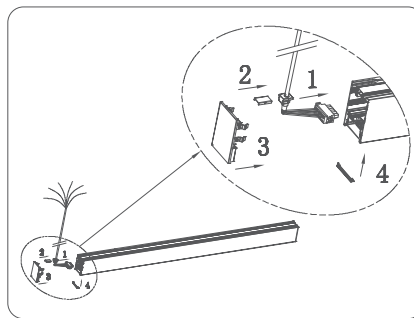


#### Installation mode

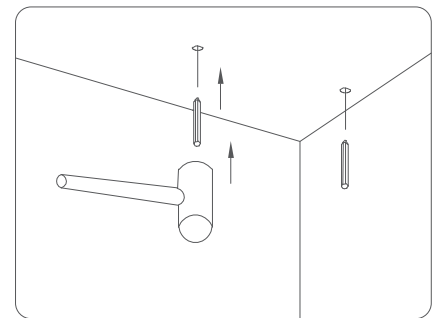
1. Remove the inner and outer covers, then remove the screws, and finally remove the hole cover B.



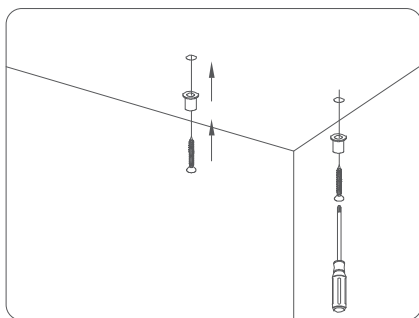
2. Insert the male terminal pair of the AC input line into the female terminal inside the lamp, and at the same time clamp the AC input line into the slot of the lamp housing. Then slide the hole cover A into the lamp slot, then press the outer cover onto the main body of the lamp, and finally install the inner cover.



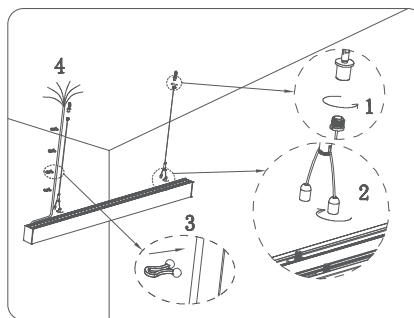
3. Plan the installation location, open the hole according to the corresponding size, and use a hammer to drive the rubber plug into the hole.



4. Pass the screw through the sling fixed head(2), and lock the sling fixed head(2) in the rubber plug with a Phillips screwdriver.

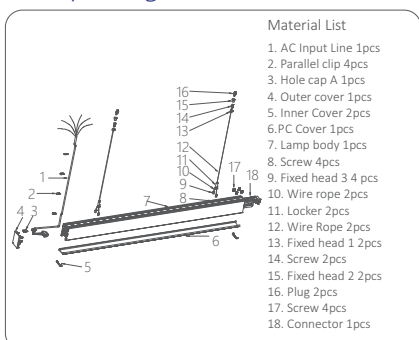


5. Tighten the fixing head 1 and the fixing head 2 in the direction shown in the figure, and then tighten the fixing head 3 and the screws in the lamp slot according to the direction shown in the figure, and use the wire clamp to bring the AC input cable and the steel wire rope together. Then twist the two small ears of the cable clamp to cross and tie them tightly. Finally, connect the city wire and the corresponding function control line to the AC input line of the lamp according to the lamp wire mark identification, light up the lamp, and complete the installation.

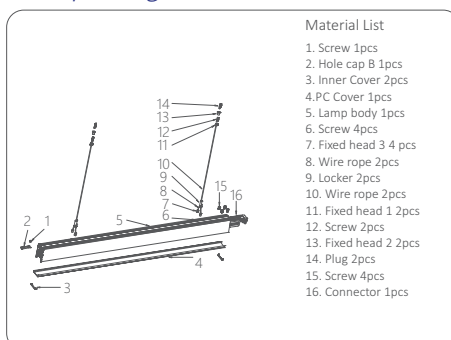


### The Suspending Installation Instruction for Continuous run

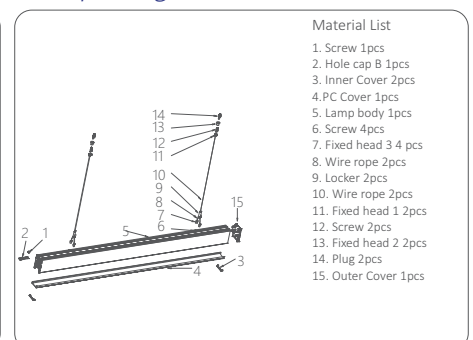
#### The first section explosion diagram of Suspending



#### The middle section explosion diagram of Suspending

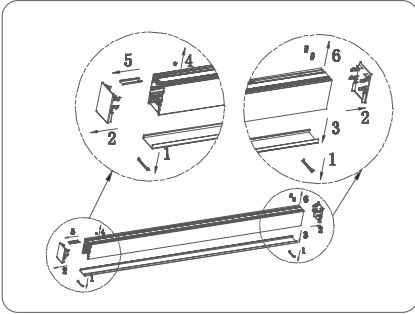


#### The end section explosion diagram of Suspending

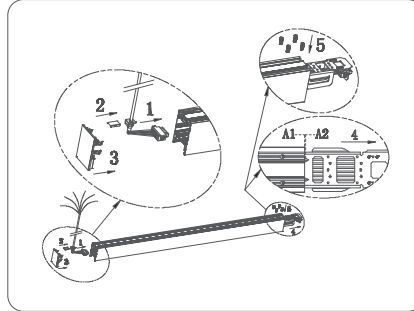


## Installation method

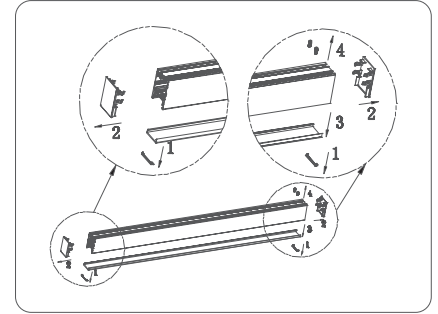
1. Change the lamp in first section: Remove the inner and outer caps and PC caps at both ends of the lamp in sequence, then remove the screws, then remove the hole cover B, and finally remove the screws at the connector;



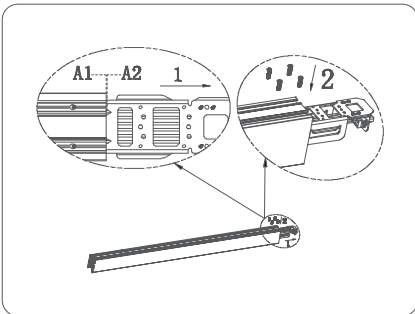
2. Changing the lamp first section: Insert the male terminal pair of AC input line into the female terminal inside the lamp and clamp the AC input line bit into the slot of the lamp housing at the same time. Then slide the hole cover A into the lamp slot, press the outer cover onto the main body of the lamp and pull out the connector by hand. When the reference line of connector A2 exceeds the reference line of lamp end A1 by about 1mm, fix the fixed position connecting machine on the lamp with 4 screws.



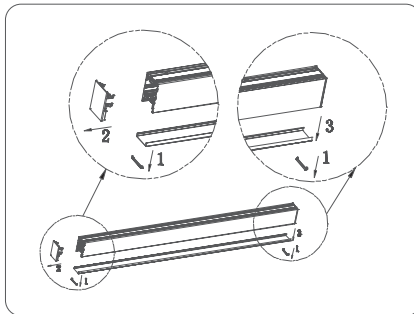
3. Change the middle lamp: remove the inner and outer covers and PC cover at both ends of the lamp in the above order, and remove the screw at the connector at last;



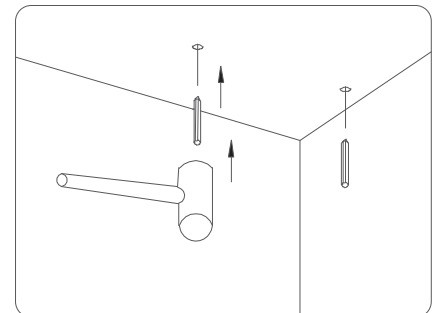
4. Change the mid-section lamp: Pull out the connector by hand and fix the position when the reference line of the connector A2 exceeds about 1mm of the reference line of the end A1 of the lamp. Fix the positioned connector to the lamp with 4 screws;



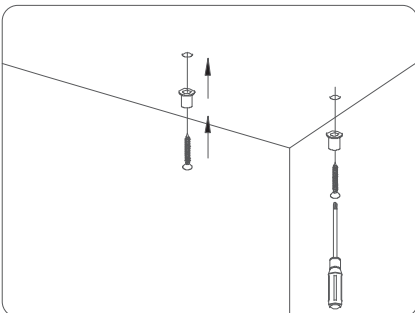
5. Change the end-section lamp: Remove the inner cover, outer cover and PC cover at both ends of the lamp in the above order;



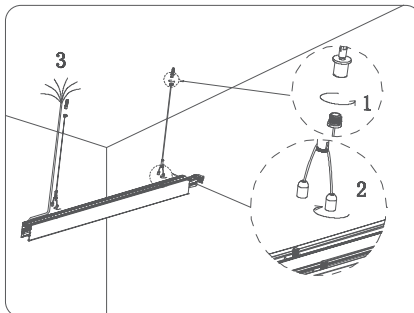
6. Plan the installation position and punch the rubber plug into the hole according to the corresponding size with a hammer.



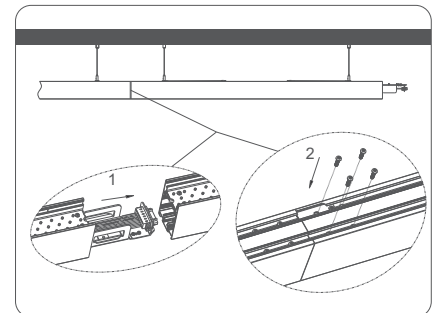
7. Pass the screw through the fixing head(2) of the sling and lock it in the rubber plug with a cross screwdriver.



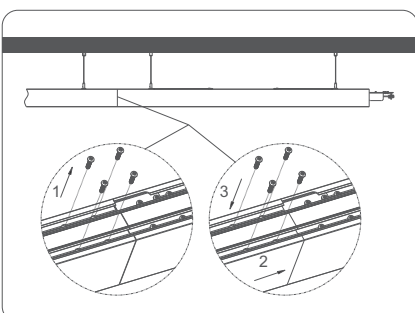
8. Install the lamp of first, middle and end section: first tighten the fixing head 1 and 2 in the direction shown, then fasten the fixing head 3 and the screw in the lamp slot in the direction shown, in addition, connect the municipal electric line and the corresponding functional control line with the AC input line of the lamp at the head section and the corresponding connection according to the lamp line identification;



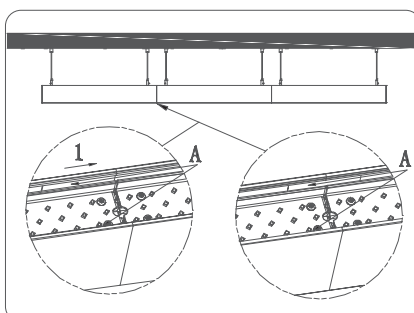
9. Butt installation of first, middle and end section lamp: first adjust the sling ropes of the first, middle and end sections of the lamp to the same height, then insert the common terminal of the first section lamp connector into the female terminal of the middle section connector, so as to ensure that the male terminal and the female terminal are butt connected, lock the connector with 4 screws; Same as above, after mating the male and female terminals of the middle and tail sections of the lamp, use 3 screws to lock the connector. The number of splicing follows the rules: when the input voltage is 100V, N\*P<450W,



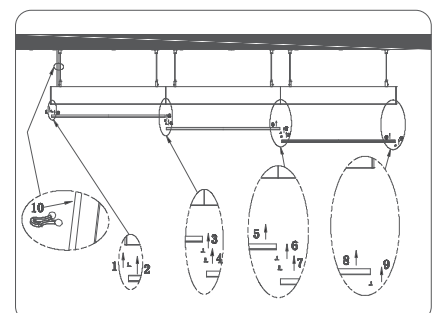
10. Adjust the docking gap between the first, middle, and end sections of the lamp housing: Loosen the 4 screws on the connector of the head and middle sections of the lamps in turn according to the figure, and then push the head and middle sections of the lamps in the direction of the arrow to adjust the difference between the two lamps. Minimize the



11. Adjust the shading sheet: move the shading sheet on both sides of the first and middle section of the lamp to the joint between the lamp and the lamp in the direction of the arrow in the figure. At the same time, the shading sheet is centrally assembled at the joint of the lamp and the lamp itself;



12. Fit the inner cover and PC cover of all the lamp on the lamp according to the sequence shown in Figure 1-9. Straighten the AC input line of the lamp at the beginning. Then close the AC input line and the wire rope together with the wire clamp. Then twist the two small ears of the wire clamp to tie crosswise, light up the lamp and install it.



## Installation requirements

### Suspending installation:

1. The power supply must be cut off before installation.
2. First plan the installation position of the lamp to ensure that the installed ceiling can bear the weight of the lamp, then fix the parts used for the lamp lifting reliably to the ceiling and assemble the other end of the lifting assembly, then fasten the assembled lifting assembly to the screws on the lamp;
3. Connect the electric wire with the lamp to the matching power line and seal the joint well.
4. The height adjustment of the lamp and the fixed installation ceiling is realized by adjusting the wire lock, and finally confirm that the lamp will not fall loose;
5. When splicing to the end, the splicing terminal needs to be pushed into the lamp, and then the end is covered with a hardware side cover.

## Packaging information

Product name	Model	Net weight /Inner box (Kg)	Inner size/(cm)			Qty.	Carton size/(cm)			Gross weight /CTN(Kg)	
			L	W	H		L	W	H		
1.2M 40W	No dimming	SC-SL8456-040-UD-AW-CW	3.0	127.4	13.0	10.6	4pcs/carton	128.8	27.4	23.0	15.7
	DALI dimming	SC-SL8456-040-UD-DA-AW-CW	3.0	127.4	13.0	10.6	4pcs/carton	128.8	27.4	23.0	15.7
	Emergency+No dimming	SC-SL8456-040-UD-EM-AW-CW	3.3	127.4	13.0	10.6	4pcs/carton	128.8	27.4	23.0	16.9
	Emergency+DALI dimming	SC-SL8456-040-UD-(EM+DA)-AW-CW	3.3	127.4	13.0	10.6	4pcs/carton	128.8	27.4	23.0	16.9
1.5M 50W	No dimming	SC-SL8456-050-UD-AW-CW	3.7	155.2	13.0	11.0	4pcs/carton	156.6	28.0	23.0	19.4
	DALI dimming	SC-SL8456-050-UD-DA-AW-CW	3.7	155.2	13.0	11.0	4pcs/carton	156.6	28.0	23.0	19.4
	Emergency+No dimming	SC-SL8456-050-UD-EM-AW-CW	3.9	155.2	13.0	11.0	4pcs/carton	156.6	28.0	23.0	20.2
	Emergency+DALI dimming	SC-SL8456-050-UD-(EM+DA)-AW-CW	3.9	155.2	13.0	11.0	4pcs/carton	156.6	28.0	23.0	20.2
2.4M 80W	No dimming	SC-SL8456-080-UD-AW-CW	6.05	244.8	13.0	11.0	2pcs/carton	246.2	14.4	23.8	15.5
	DALI dimming	SC-SL8456-080-UD-DA-AW-CW	6.05	244.8	13.0	11.0	2pcs/carton	246.2	14.4	23.8	15.5
	Emergency+No dimming	SC-SL8456-080-UD-EM-AW-CW	6.50	244.8	13.0	11.0	2pcs/carton	246.2	14.4	23.8	16.5
	Emergency+DALI dimming	SC-SL8456-080-UD-(EM+DA)-AW-CW	6.50	244.8	13.0	11.0	2pcs/carton	246.2	14.4	23.8	16.3
L shape 40W	No dimming	SC-SL8456L-040-UD-AW-CW	3.0	73.5	10.5	68.3	4pcs/carton	75.0	22.5	70.1	19.8
	DALI dimming	SC-SL8456L-040-UD-DA-AW-CW	3.0	73.5	10.5	68.3	4pcs/carton	75.0	22.5	70.1	19.8

\* Note: The packing weight includes the weight of the sling

## Notice



- Please read the specification first, to make sure the service environment matches the condition in the specification before using.
- Please confirm the applicable power supply before using.
- Make sure the switch of product is off before connect to the power supply to prevent electric shock.
- Operation against rules may damage your property even harm to your personal safety.
- Preliminarily estimate required quantity of LED panel lights, then according to the power rating of single panel light to figure out the total power and design power supply plan.
- Dangerous high voltage, Non-professionals are not allowed to maintain the products.
- If the exterior flexible cable or wire is damaged, it must exchange by the supplier, its agent or other similar qualified personnels to avoid dangers.



Yijia Industrial Park, Fuqian Road, Guanlan Town, LongHua, Shenzhen, Guangdong, China

Tel:+86-755-27608650  
 Fax:+86-755-27608651  
[www.signcomplex.com](http://www.signcomplex.com)  
[sales@signcomplex.com](mailto:sales@signcomplex.com)