

SL3668 LED Linear Light



Contents

A . Product Features -----	P03
Description	
Features	
Application	
Specifications	
B. Dimensional illustration -----	P04
Dimensions (unit: mm)	
C. Installation -----	P06
Installation requirements	
Installation instruction	
Installation connection	
D. Packaging accessories -----	P10
Packaging information	
E. Notice -----	P10

A Description

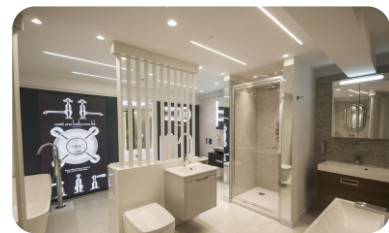
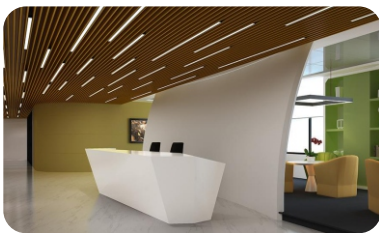
According to length, the product has 3 series, 1.2m, 1.5m and 2.4m; according to luminous surface cover, the product also has 3 series, full PC cover, fully anti-glare kit(RC01) and anti-glare kit and non-luminous area alternation(RC02). The anti-glare kit is equipped with 3030 assembled LEDs while the PC cover is equipped with 2835 assembled LEDs. The product features small size, low power consumption, long service life, low glare value, low heat, etc. This linear light is made up of an independent split type structure, which facilitates the dismantling, replacing of power supply and replacing of light panel. It sends forth linear light and available beam angle has 15°, 30°, 45° and 120°. The product looks simple, exquisite and graceful and can realize multiple jointing. The product can be widely used in home, school, shopping mall, hotel and other indoor public places. It's mainly made of aluminum alloy and PC.

Features

- The product can be used in single piece or multiple pieces with seamless jointing and both of them share the same article number, facilitating preparation of goods and production. When the input voltage is AC220V, total power is $\leq 900W$;
- Light area and power supply is connected by electronic wire with male and female terminal, simple structure facilitating the dismantling and replacing of light area and power supply;
- Eco-friendly, no UV, IR and mercury pollution, conform to EU ROHS.
- As the main material of lamp body, aluminum profile features effective heat dissipation performance, light weight, strong load-bearing capacity and good processability;
- The cover of anti-glare kit has low glare rating, $UGR < 10$;
- The effective heat dissipation design and slow temperature rise of LEDs and power supply ensure high stability for continuous working.
- Can on/off frequently, no flicker, good CRI;
- Simple, exquisite and graceful appearance, easy for installation and transportation.

Application

The product can be widely used in home, school, shopping mall, hotel and other indoor public places.



Specifications

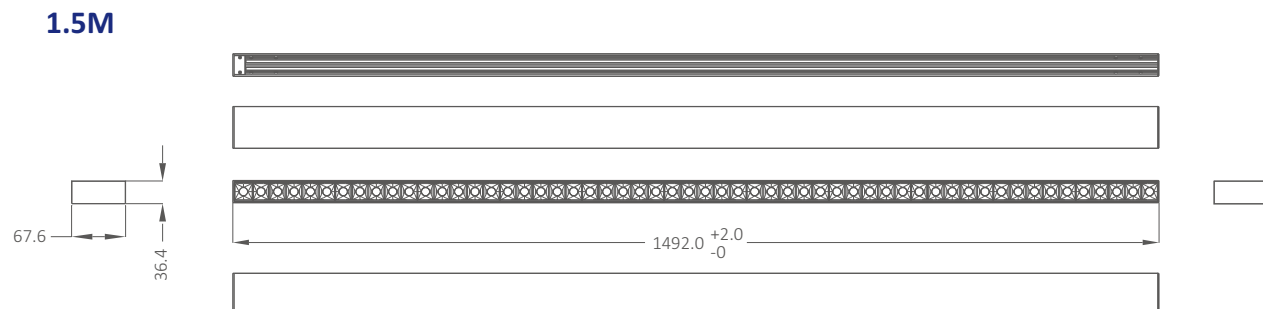
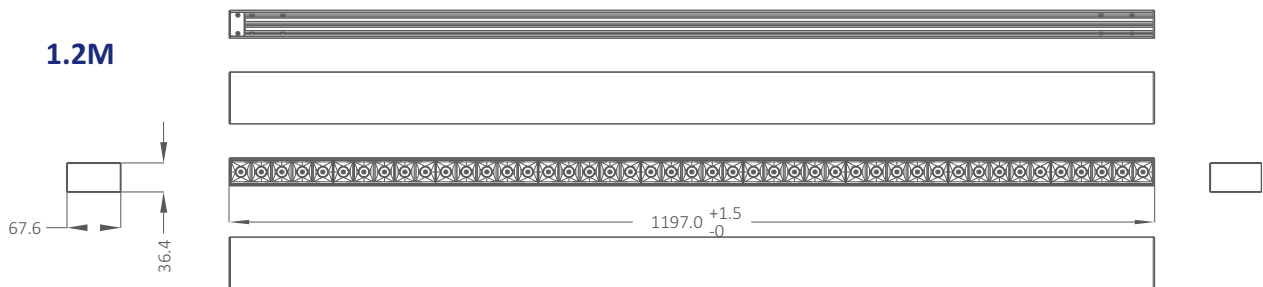
Model	CCT	Lumen(lm) ($\pm 10\%$)	LED Quantity	LED Type	Power(W) ($\pm 10\%$)	Length(mm)	Voltage(V)	Beam angle($^{\circ}$)	Series Model	Ra
SC-SL3668-RC01-040-AW-01W	6000-6500K	3067lm	45	3030	40W	1197mm	AC 220-240VAC 50/60Hz	45 $^{\circ}$	RC01	>80
SC-SL3668-RC01-040-AW-01NW	3800-4200K	3068lm								
SC-SL3668-RC01-040-AW-01WW	2800-3200K	2660lm								
SC-SL3668-RC01-050-AW-01W	6000-6500K	4000lm	56	3030	50W	1492mm	AC 220-240VAC 50/60Hz	45 $^{\circ}$		
SC-SL3668-RC01-050-AW-01NW	3800-4200K	4000lm								
SC-SL3668-RC01-050-AW-01WW	2800-3200K	3650lm								
SC-SL3668-RC01-075-AW-01W	6000-6500K	6400lm	90	3030	75W	2389.5mm	AC 220-240VAC 50/60Hz	45 $^{\circ}$		
SC-SL3668-RC01-075-AW-01NW	3800-4200K	6400lm								
SC-SL3668-RC01-075-AW-01WW	2800-3200K	5800lm								

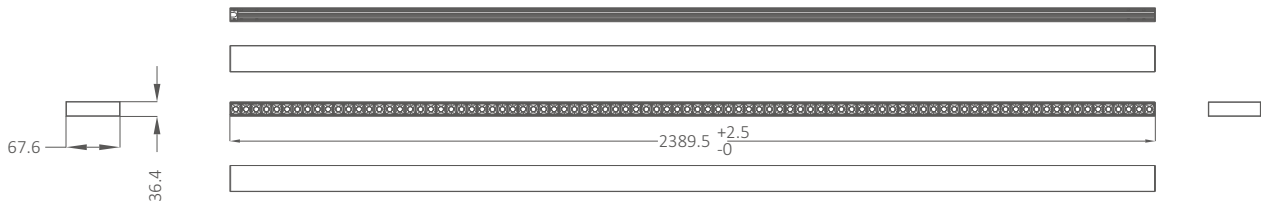
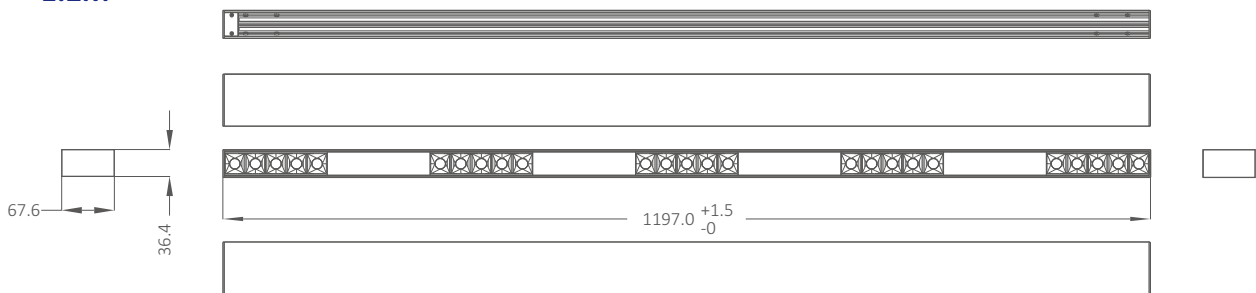
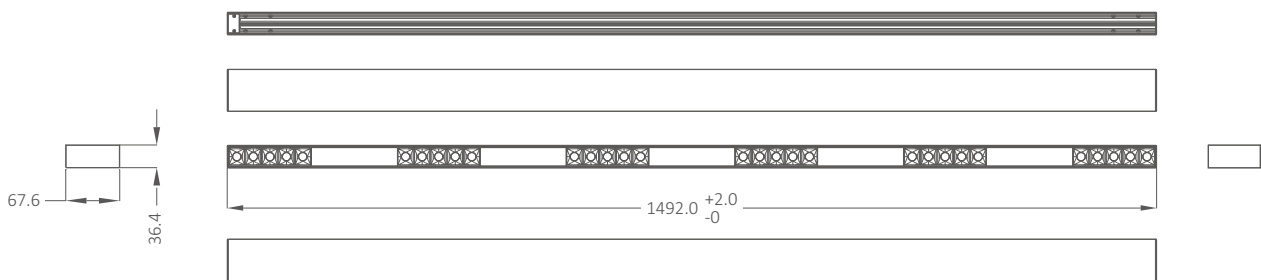
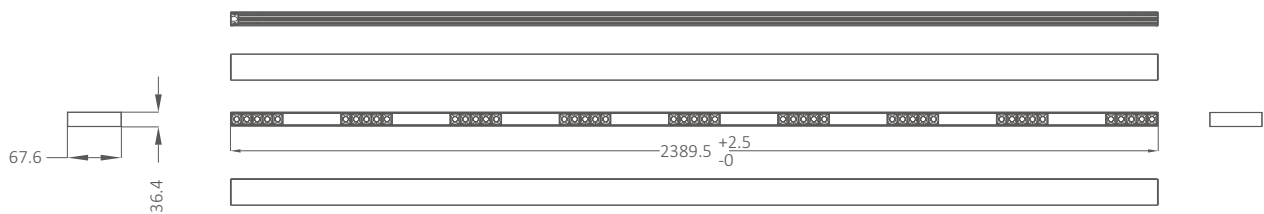
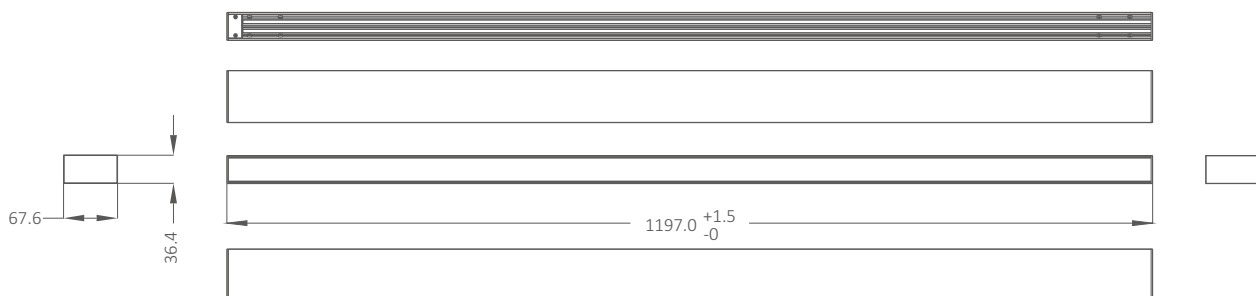
Model	CCT	Lumen(lm) (±10%)	LED Quantity	LED Type	Power(W) (±10%)	Length(mm)	Voltage(V)	Beam angle(°)	Series Model	Ra
SC-SL3668-RC02-020-AW-01W	6000-6500K	1600lm	25	3030	20W	1197mm	AC 220-240VAC 50/60Hz	45°	RC02	>80
SC-SL3668-RC02-020-AW-01NW	3800-4200K	1600lm								
SC-SL3668-RC02-020-AW-01WW	2800-3200K	1460lm								
SC-SL3668-RC02-025-AW-01W	6000-6500K	2000lm	30	3030	25W	1492mm	AC 220-240VAC 50/60Hz	45°		
SC-SL3668-RC02-025-AW-01NW	3800-4200K	2000lm								
SC-SL3668-RC02-025-AW-01WW	2800-3200K	1825lm								
SC-SL3668-RC02-040-AW-01W	6000-6500K	3067lm	45	3030	40W	2389.5mm	AC 220-240VAC 50/60Hz	45°		
SC-SL3668-RC02-040-AW-01NW	3800-4200K	3068lm								
SC-SL3668-RC02-040-AW-01WW	2800-3200K	2660lm								
SC-SL3668-040-AW-01W	6000-6500K	3600lm	204	2835	40W	1197mm	AC 220-240VAC 50/60Hz	110°	PC Cover	>80
SC-SL3668-040-AW-01NW	3800-4200K	3600lm								
SC-SL3668-040-AW-01WW	2800-3200K	3360lm								
SC-SL3668-050-AW-01W	6000-6500K	4500lm	252	2835	50W	1492mm	AC 220-240VAC 50/60Hz	110°		
SC-SL3668-050-AW-01NW	3800-4200K	4500lm								
SC-SL3668-050-AW-01WW	2800-3200K	4200lm								
SC-SL3668-075-AW-01W	6000-6500K	6750lm	406	2835	75W	2389.5mm	AC 220-240VAC 50/60Hz	110°		
SC-SL3668-075-AW-01NW	3800-4200K	6750lm								
SC-SL3668-075-AW-01WW	2800-3200K	6300lm								

B

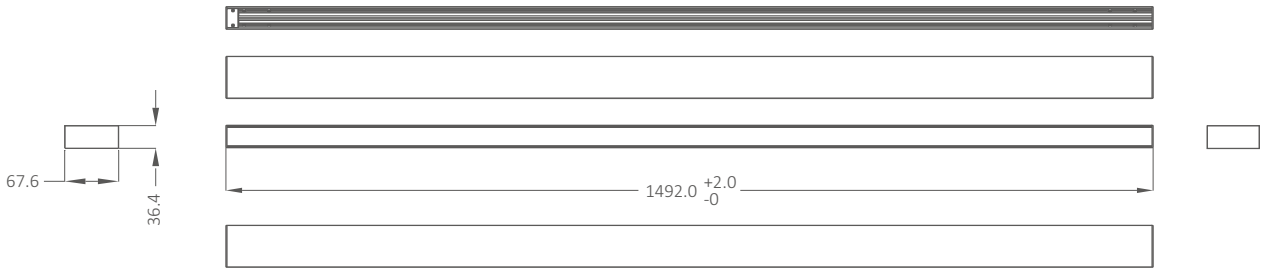
Dimensions (unit: mm)

SL3668 with fully anti-glare kit(RC01)

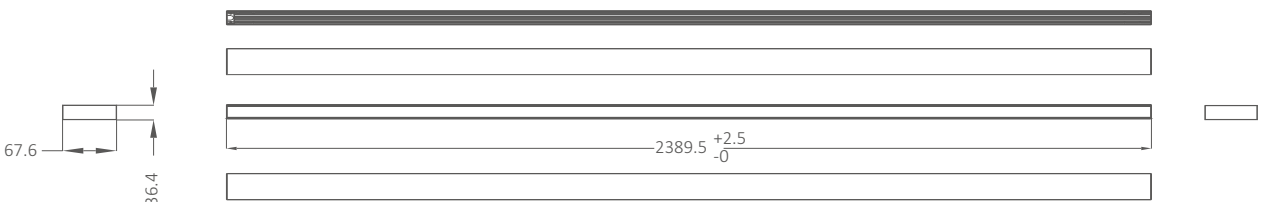


2.4M

SL3668 with anti-glare kit and non-luminous area alternation(RC02)
1.2M

1.5M

2.4M

SL3668 with full PC cover
1.2M


1.5M



2.4M

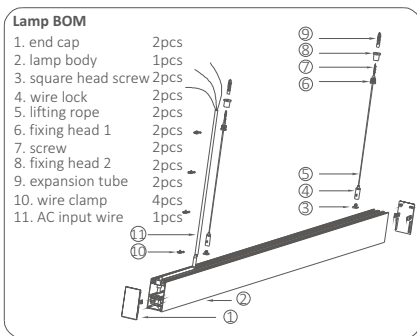


Installation requirements

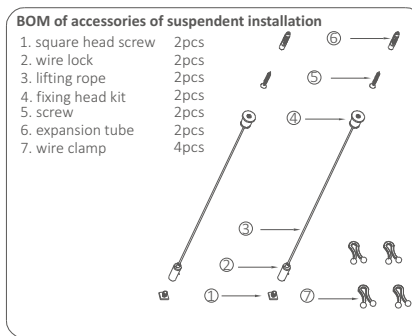
- **Suspending installation:**
Please ensure that screws are tightened up and the lamp keeps horizontal after installation;
- **Ceiling installation:**
Please ensure that screws are tightened up and the lamp keeps horizontal after installation;

Installation instruction

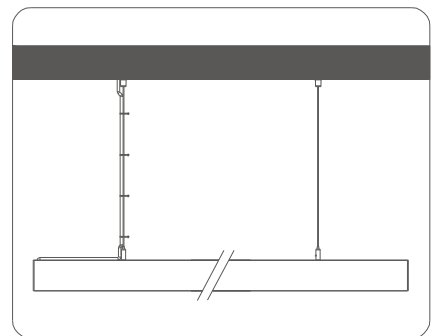
● SL3668 suspending installation



Exploded drawing of suspending installation

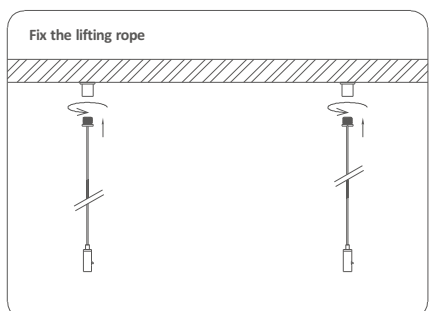
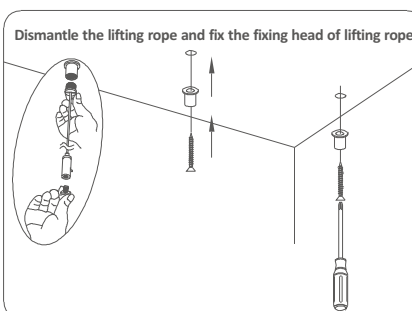
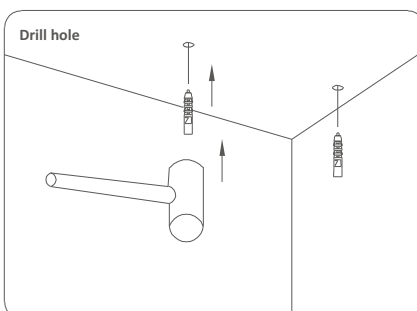


Accessories diagram of suspending installation

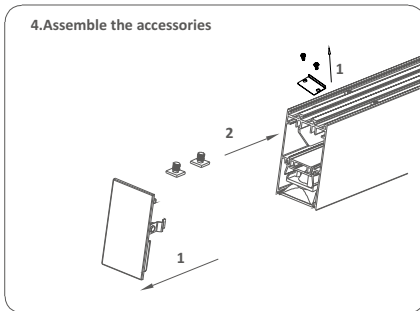


Schematic diagram of suspending installation

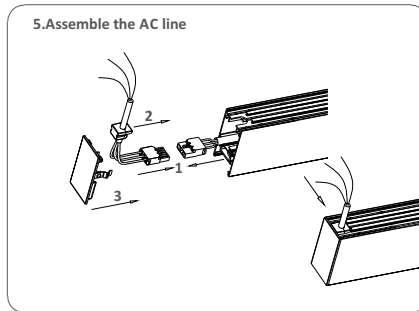
● SL3668 suspending installation steps



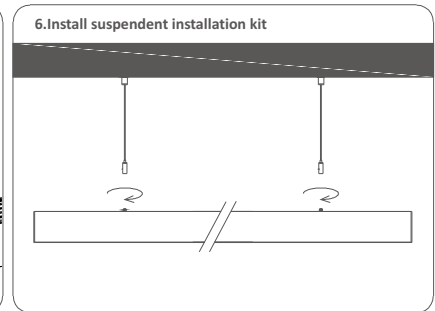
- Determine the position for installation and drill holes in corresponding position, then hammer the expansion tube into the hole.
- Use hands to rotate in anti-clockwise direction to dismantle the fixing head 2 of lifting rope and square head screw;
- Thread the screw through the hole of fixing head 2. Use a cross screwdriver to lock the fixing head 2 into expansion tube.
- Tighten up the fixing head 1 and fixing head 2 of lifting rope according to direction in the diagram.



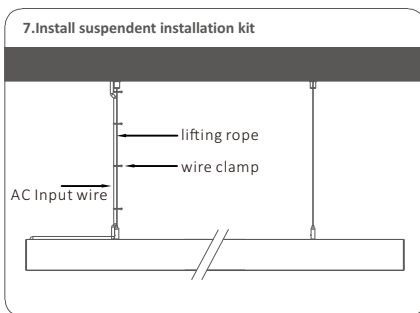
- Remove the end cover and wiring hole cover at this end as shown;
- Slide 2 pcs square head screws into the middle groove of lamp as shown in the diagram;



- As shown pull out the main terminal of the lamp and plug it into the common terminal of AC clamp line;
- Insert the AC clamp line into the u-slot of the lamp;
- Install the side cover at the end of the lamp

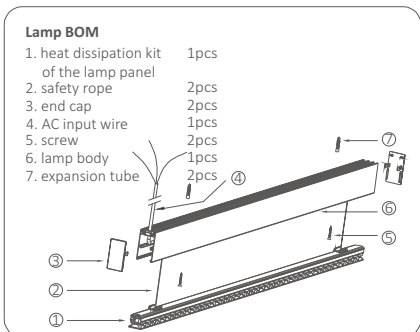


- Adjust the position of square head screw to direct it at the position of lifting rope on the ceiling, then tighten up the wire lock and square head screw according to direction in the diagram.

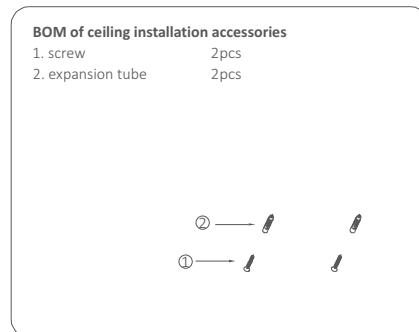


- Tie AC wire and suspending cable with wire clamp. If the lamp can be turned on, then the installation is successfully completed.

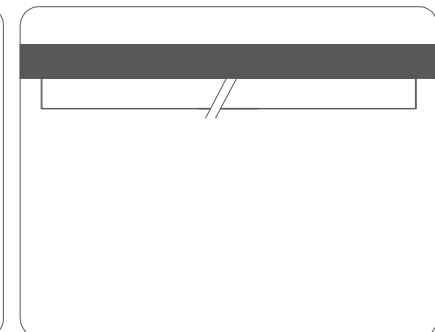
● SL3668 ceiling installation



Exploded view of ceiling installation

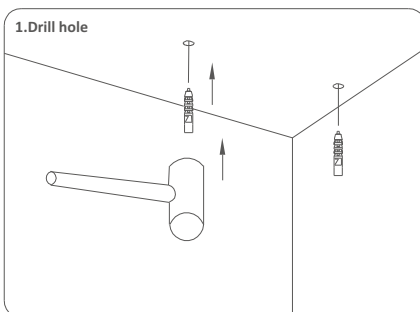


Accessories diagram of ceiling installation

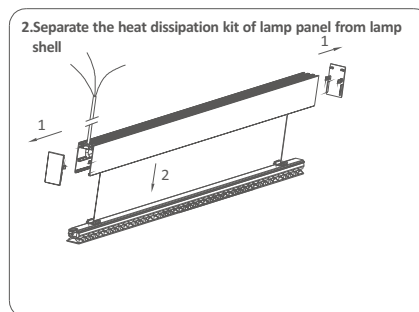


Schematic diagram of ceiling installation

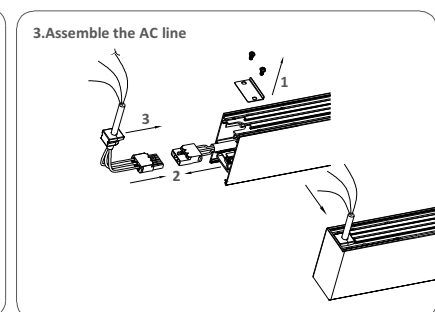
● SL3668 ceiling installation steps



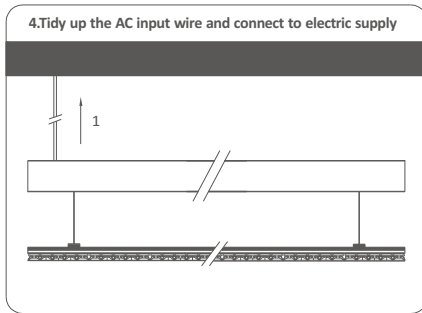
- Determine the position for installation and drill holes in corresponding position, then hammer the expansion tube into the hole.



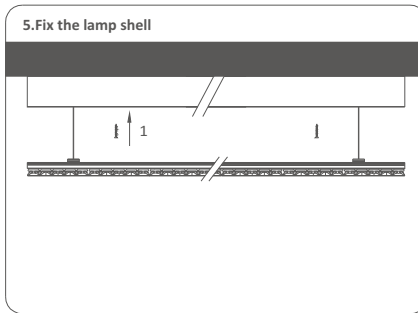
- Dismantle the end caps on both ends of the lamp;
- Then separate the heat dissipation kit of lamp panel from lamp shell;



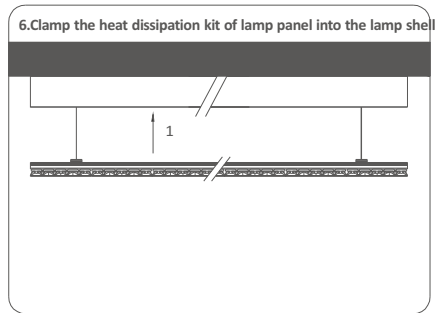
- Remove the wiring hole cover at this end as shown;
- As shown pull out the main terminal of the lamp and plug it into the common terminal of AC clamp line;
- Insert the AC clamp line into the u-slot of the lamp;



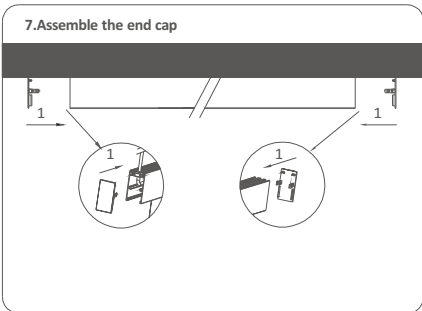
- Tidy up the AC input wire and put them into the wiring groove, then connect to electric supply but do not turn on the light.



- Thread the screw through the hole on lamp shell and tighten it with the expansion tube on the ceiling.



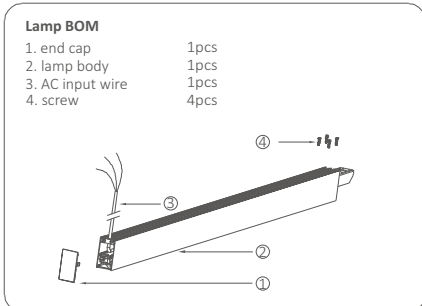
- Clamp the heat dissipation kit of lamp panel into the lamp shell as shown in the diagram.



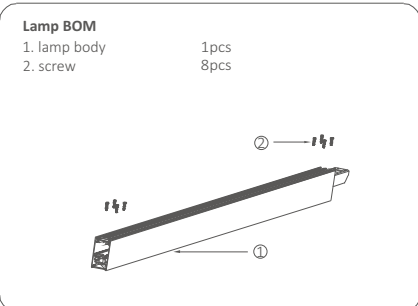
- Assemble the end caps back. If the lamp can be turned on, then the installation is successfully completed.

Installation connection

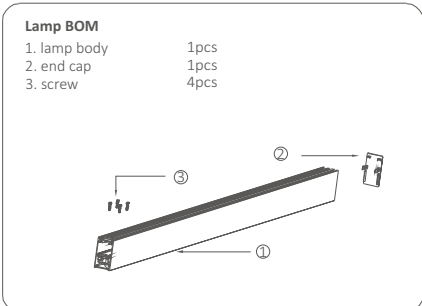
● Connection steps of SL3668 suspending installation



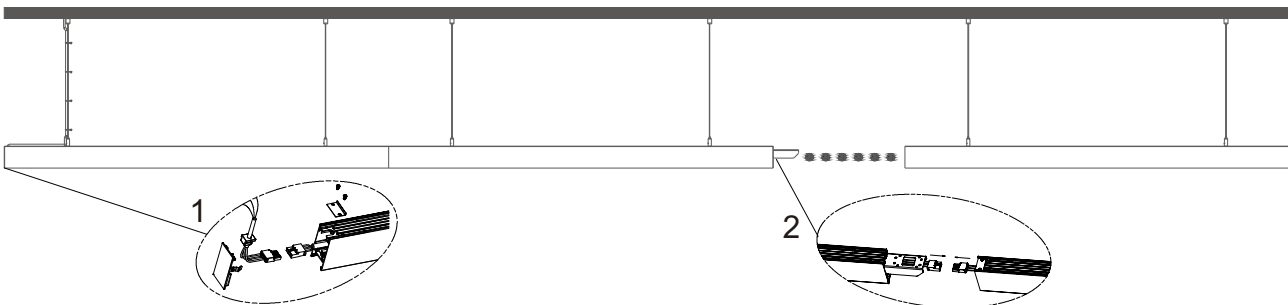
The first piece of lamp



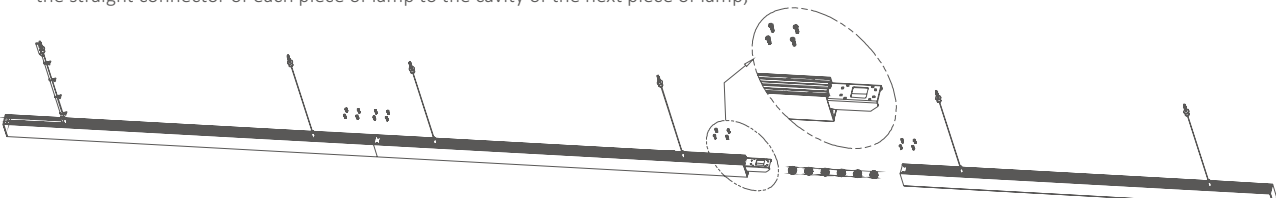
The middle piece of lamp



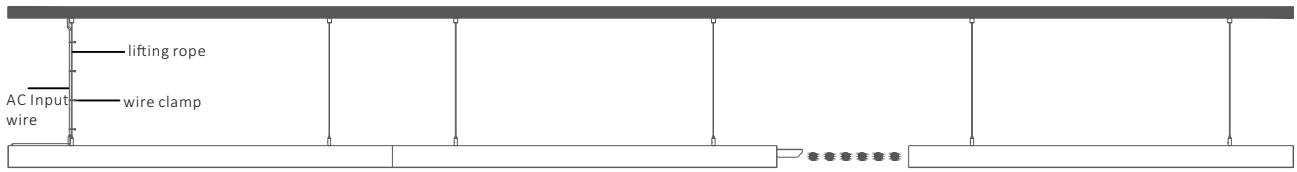
The end piece of lamp



- Repeat steps 4 and 5 of suspending installation
- Install the first, middle and end piece of lamp according to suspending installation steps and make the previous one right next to the next one, then insert the male connector in the end of the previous piece of lamp to the female connector in the head of the next piece of lamp and insert the straight connector of each piece of lamp to the cavity of the next piece of lamp;

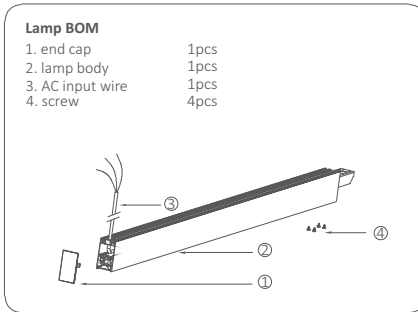


- Fix the straight connectors in the jointing place of all pieces of lamps onto the lamp with screws;

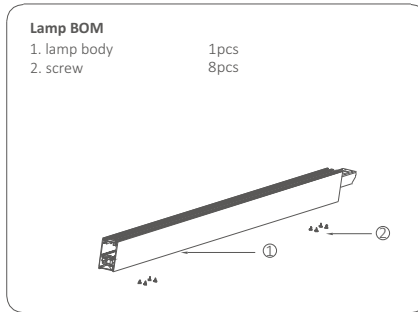


- If the lamp can be turned on, then the installation is successfully completed.

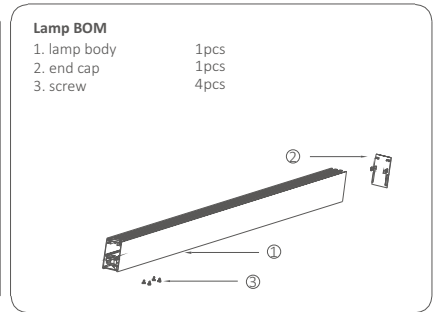
● Connection steps of SL3668 ceiling installation



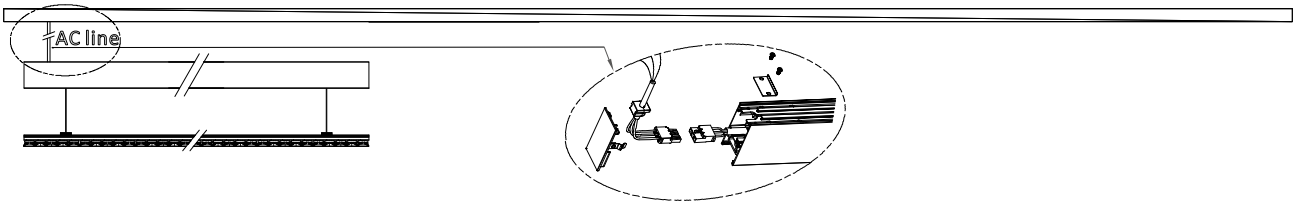
The first piece of lamp



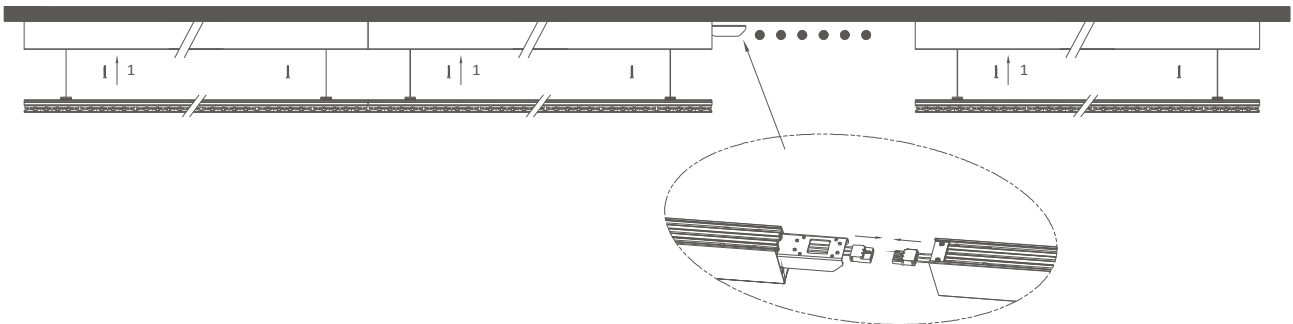
The middle piece of lamp



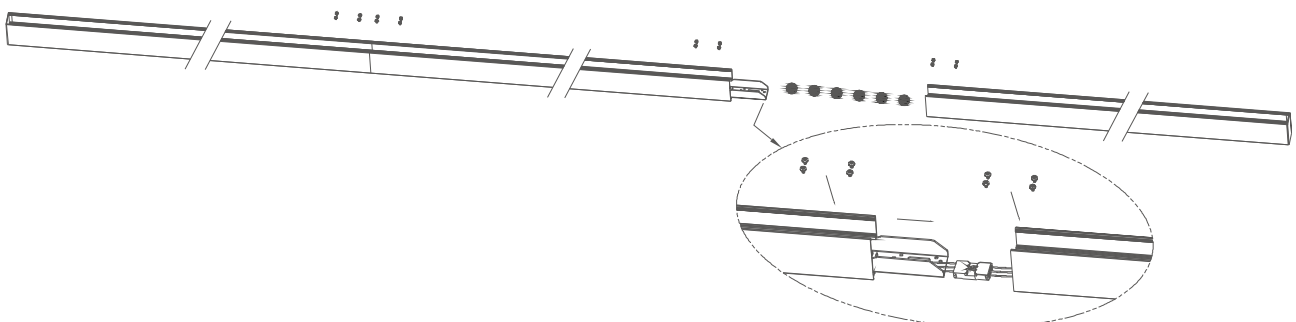
The end piece of lamp



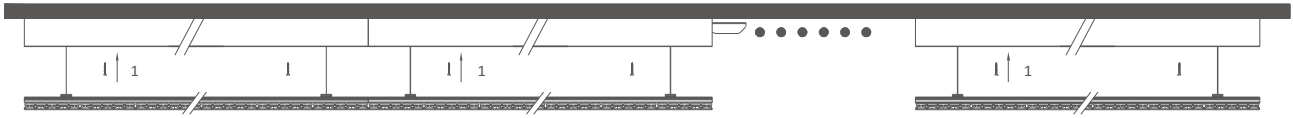
- First Remove the end cover and wiring hole cover at this end ;Then pull out the main terminal of the lamp and plug it into the common terminal of AC clamp line;Finally Insert the AC clamp line into the u-slot of the lamp;



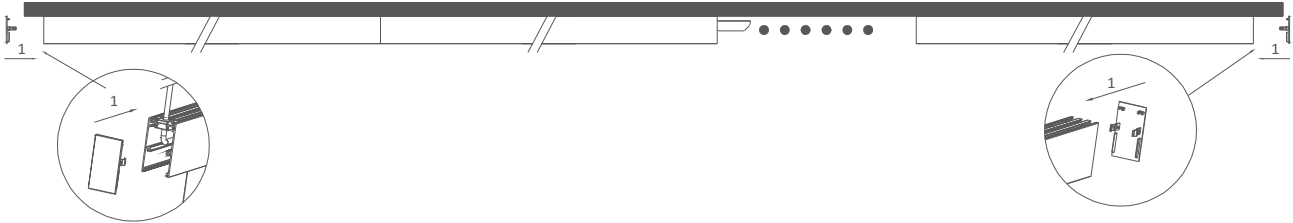
- Install the first, middle and end piece of lamp according to suspendent installation steps and make the previous one right next to the next one, then insert the male connector in the end of the previous piece of lamp to the female connector in the head of the next piece of lamp and insert the straight connector of each piece of lamp to the cavity of the next piece of lamp;



- Fix the straight connectors in the jointing place of all pieces of lamps onto the lamp with screws;



- Clamp the heat dissipation kits of lamp panel of all pieces of lamps into the lamp shell as shown in the diagram.



- Clamp the end caps to the lamp. If the lamp can be turned on, then the installation is successfully completed.

D

Packaging information

Size Information	1.2m	1.5m	2.4m
Net weight/CTN	2.60kg	3.25kg	5.20kg
Gross weight/CTN	20kg	26kg	25kg
Inner size	L1265*W106*H118 mm	L1539.5*W106*H120 mm	L2437*W106*H120 mm
Carton size	L1279*W226*H372 mm	L1554*W226*H378 mm	L2451*W226*H258 mm
	1PC/inner box, 6PCS inner boxes/carton		1PC/inner box, 4PCS inner boxes/carton

E

Notice



- Please read the specification first, to make sure the service environment matches the condition in the specification before using.
- Please confirm the input voltage and frequency before using.
- The light must be installed by professional;
- If power wire or shell of the light is damaged, the light is unqualified and can't be used;
- Dangerous high voltage, non-professionals are not allowed to maintain the products;
- If the exterior soft cable or wire is damaged, it must be exchanged by the manufacturer, its agent or other similar qualified personnel to avoid dangers.



Yijia Industrial Park, Fuqian Road, Guanlan Town, LongHua, Shenzhen, Guangdong, China

Tel:+86-755-27608650
 Fax:+86-755-27608651
www.signcomplex.com
sales@signcomplex.com