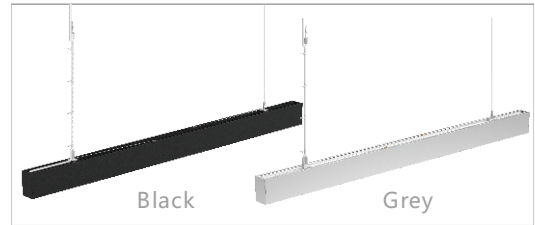




# LED Linear Light

SL10075 in single run (0-10V Dimming)

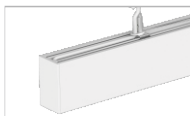


## Description

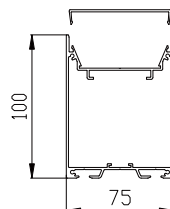
LED linear light is exclusively designed for designer and architect with imagination and personal style. LED linear light adopt premium aluminum profile, different dimension and size, easy to install. 3 types installation method: ceiling mounted type, suspended type and embedded type, and different customized dimensions are also acceptable, which can meet installation requirement of different fields and occasions.

## Features

1. Simple and modern design, screwless at end cap.



2. Extrusion aluminum lamp body and PC cover.

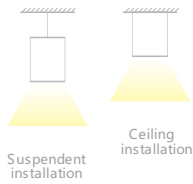


3. Smooth and soft lighting effect, no dark dot and shadow at the lighting area.





4. Various installation: S uspendent, ceiling and recessed.



5. Three colors of lamp body, white, black and silver.



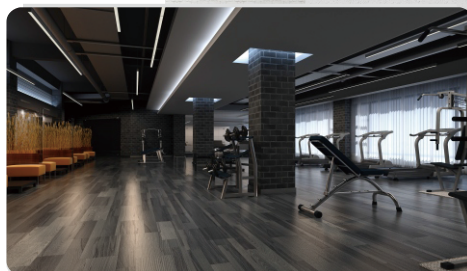
## Specifications

Model	CCT	LED Type	Lumen(lm) (±10%)	Power(W) (±10%)	Length(feet)	Voltage (V)
SC-SL10075-020-AW-A-01W	5000K	2835	2056 lm	20W	2 feet	AC 100-277V 50/60Hz
SC-SL10075-020-AW-A-01NW	4000K		2072 lm	20W	2 feet	
SC-SL10075-020-AW-A-01WW	3000K		1955 lm	20W	2 feet	
SC-SL10075-040-AW-A-01W	5000K	2835	3905 lm	40W	4 feet	AC 100-277V 50/60Hz
SC-SL10075-040-AW-A-01NW	4000K		3871 lm	40W	4 feet	
SC-SL10075-040-AW-A-01WW	3000K		3664 lm	40W	4 feet	
SC-SL10075-050-AW-A-01W	5000K	2835	5264 lm	50W	5 feet	AC 100-277V 50/60Hz
SC-SL10075-050-AW-A-01NW	4000K		5043 lm	50W	5 feet	
SC-SL10075-050-AW-A-01WW	3000K		4986 lm	50W	5 feet	
SC-SL10075-075-AW-A-01CW	5000K	2835	7875 lm	75W	8 feet	AC 100-277V 50/60Hz
SC-SL10075-075-AW-A-01NW	4000K		7890 lm	75W	8 feet	
SC-SL10075-075-AW-A-01WW	3000K		7600 lm	75W	8 feet	
Beam angle	PF	CRI	IP	Life span	Reflector	
110°	>0.95	≥ 80	IP40	50000hrs	Milky cover	

Remark: Not all the product variations listed on this page are DLC qualified. To ensure that a specific model is qualified, visit [www.designlights.org/search](http://www.designlights.org/search).

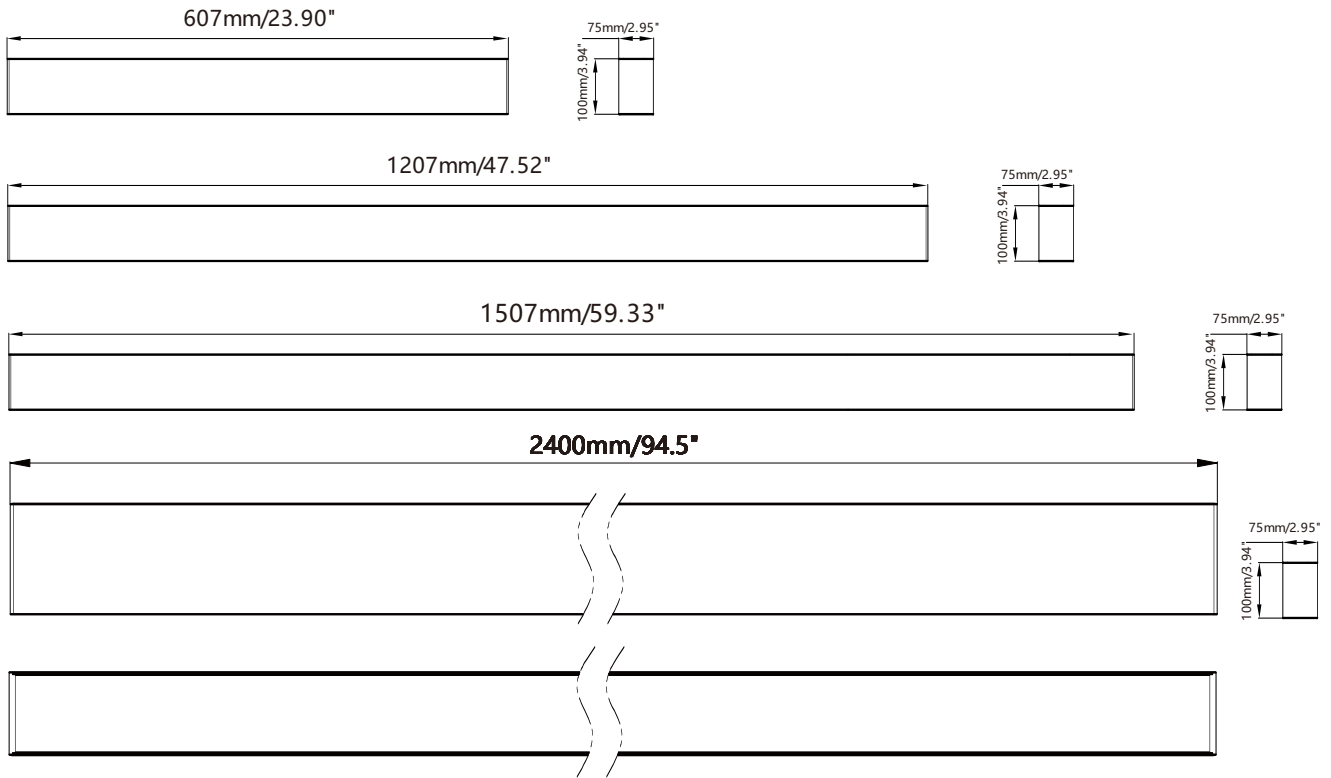
## Applications

Suitable for hotels, conference rooms, factories, offices, commercial purposes, institution buildings, schools, colleges, universities, hospitals and other places which needs energy saving and high color rendering index lighting.

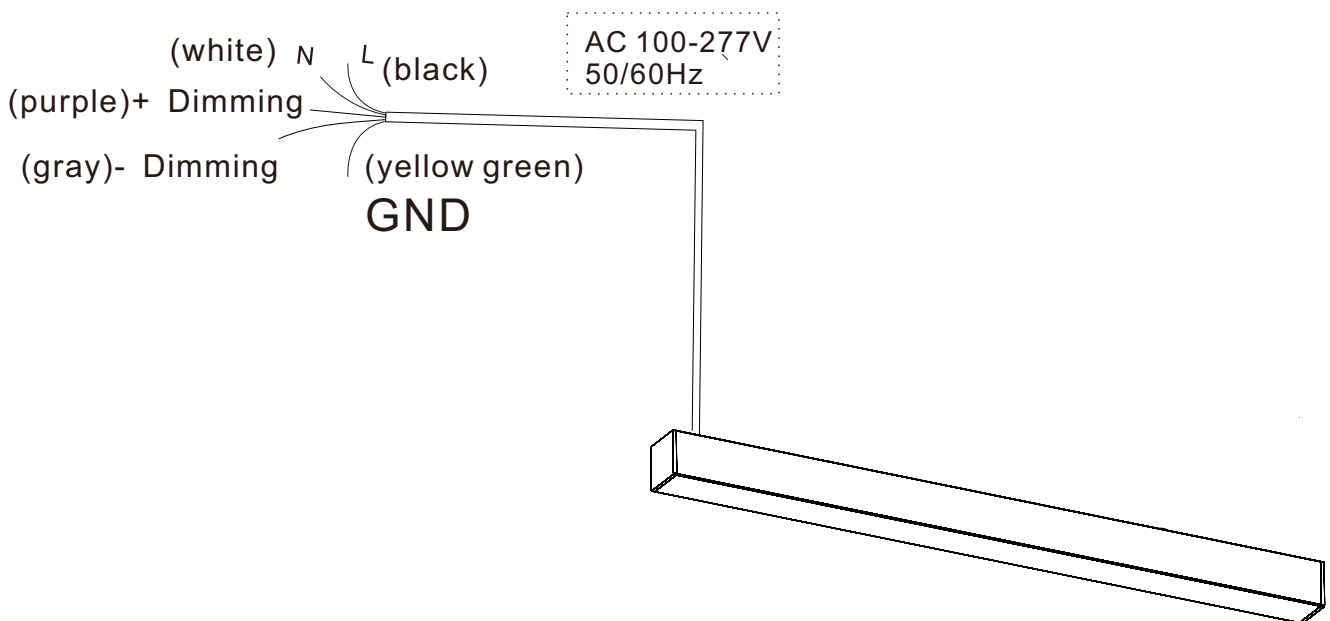




### Dimensions (Unit: mm/inch)



### Electrical Connection



(Remark: The max current consumption of our driver to 0-10V dimmer is 2mA each one)

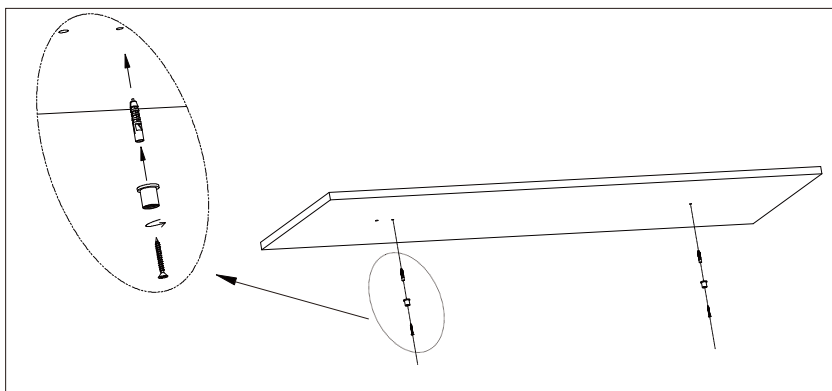
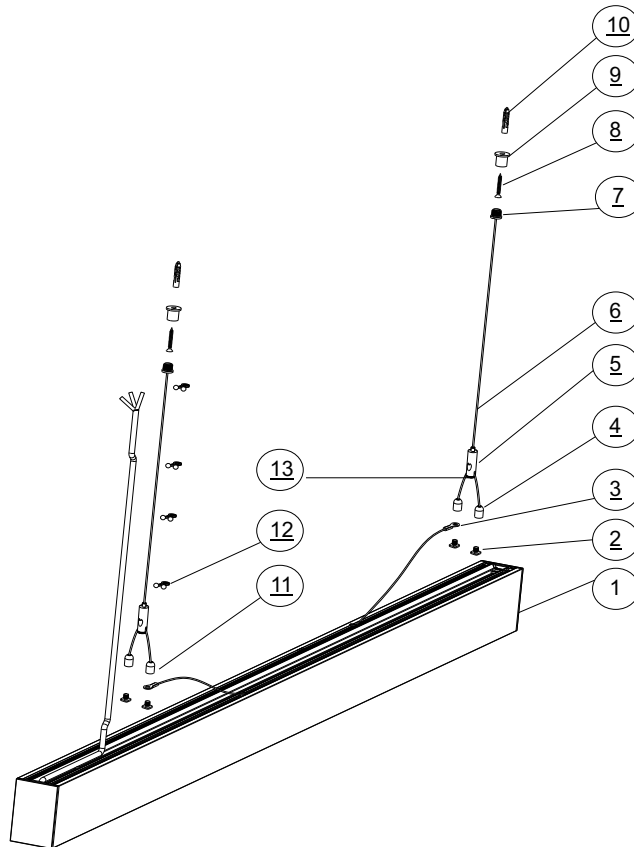


## How to install

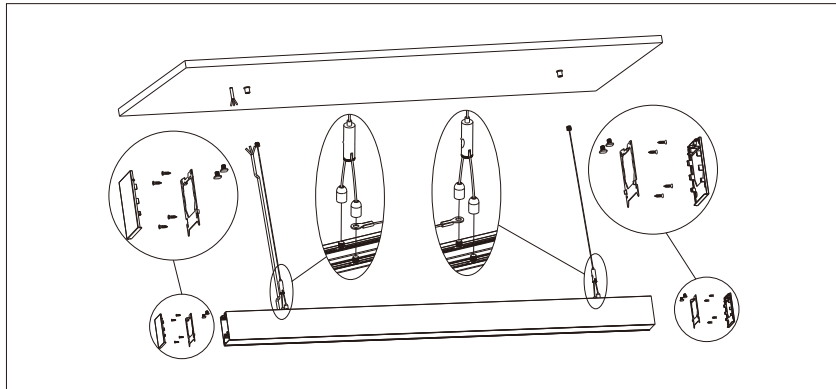
### Suspendent installation

#### Step1:Accessories

1. lamp body	1pcs	2. square-head screw	4pcs	3. safety rope	2pcs	4. fixing head 3	4pcs
5. sewing machine	2pcs	6. suspendent rope	2pcs	7. fixing head 1	2pcs	8. 4X30PA screw	2pcs
9. fixing head 2	2pcs	10. rubber plug	2pcs	11. fixing head 3	4pcs	12. doubling clamp	4pcs
13. screw	2pcs						

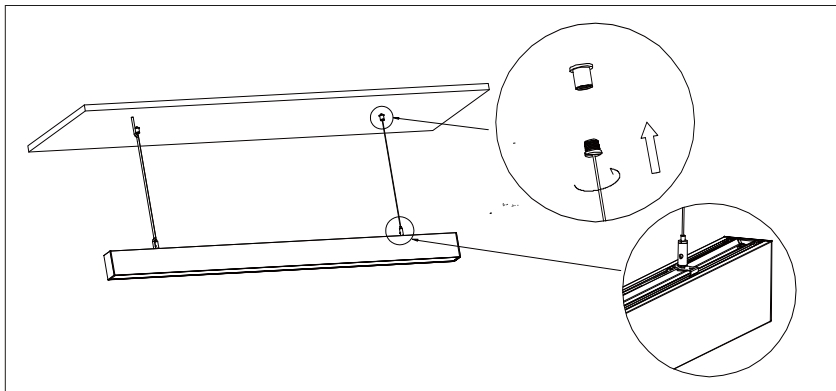


Step2:Drill hole in the ceiling, push the rubber plug into the ceiling, fix the fixing head 2 in the ceiling with 4X30PA screw.



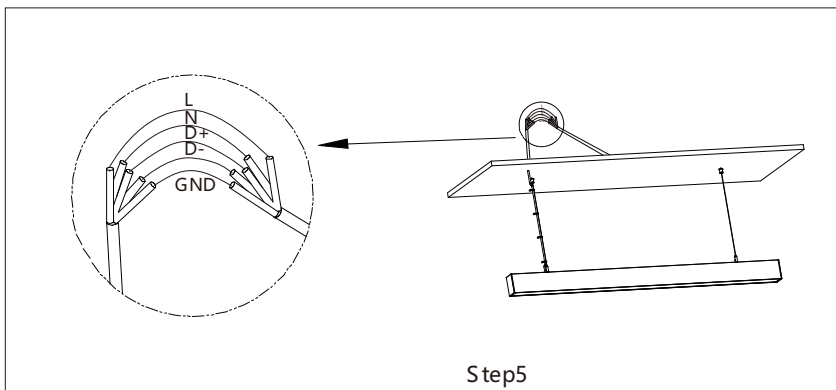
Step3:1. Dismantle the end cap, screws and fixing pieces of end cap on both ends of the lamp, then slide the square-head screw into the card slot of lamp, finally assemble the end cap, screws and fixing pieces of end cap back. If the square-head screw is already slid into the card slot of lamp, you can skip this step.

2. As shown on the diagram, put the safety rope onto the square-head screw, then tighten the fixing head 3 and square-head screw onto the lamp.



Step4:a. Suspendent method on the left: thread the power wire through 8-figure buckle fixed on the left, then intall the whole set of fixing clip on the lamp;

bSuspendent method on the right install the clip on the lamp.



Step5:fix the fixing head 1 with fixing head 2 tightly, and adjust suspendent rope with sewing machine to balance the lamp, finally connect input wire of lamp;

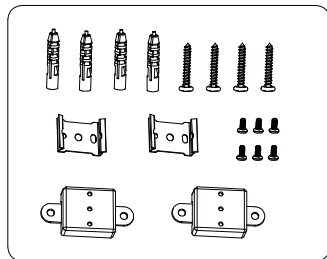
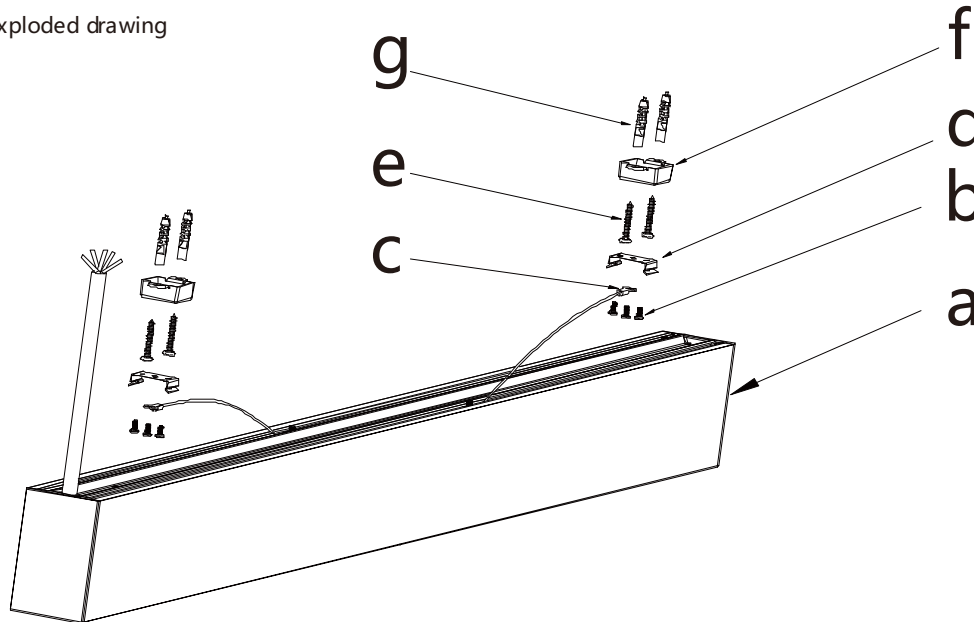


## Ceiling installation

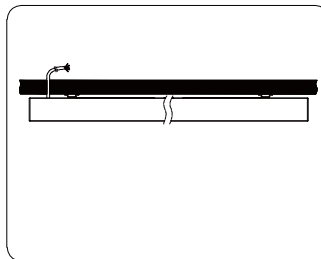
### Step1:Accessories

a. 10075 lamp body	1pcs	b. screw	6pcs	c. safety rope	2pcs	d. clip	2pcs
e. screw	2pcs	f. elevated part of clip	2pcs	g. rubber plug	4pcs		

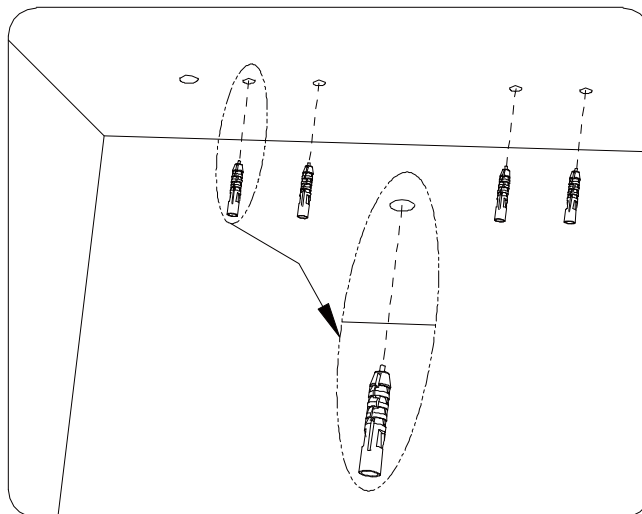
ceiling exploded drawing



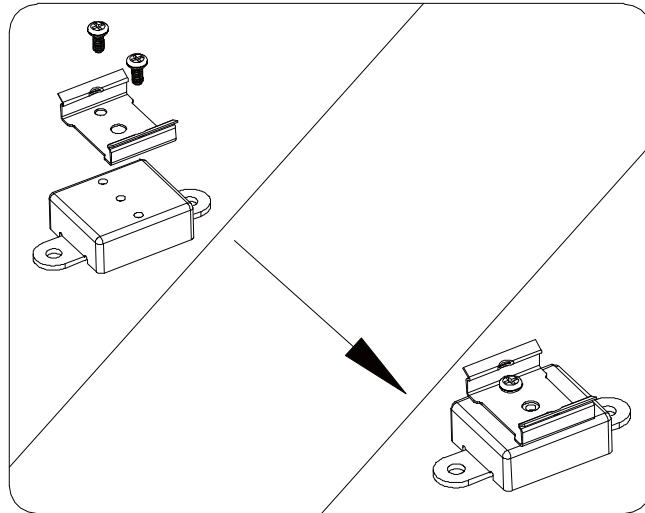
ceiling accessories



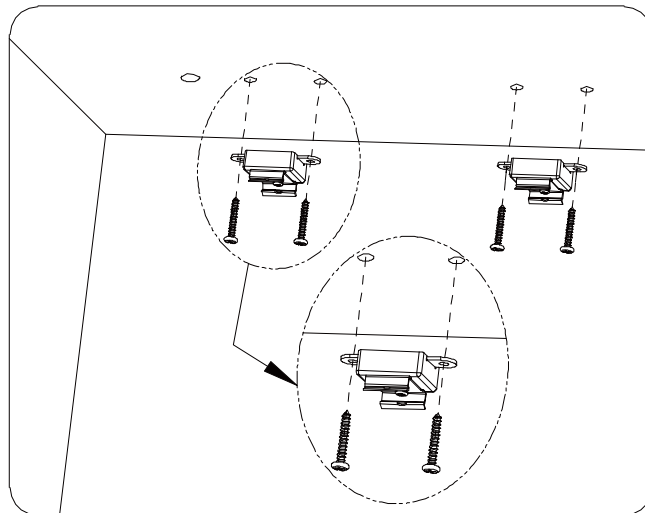
installation diagram



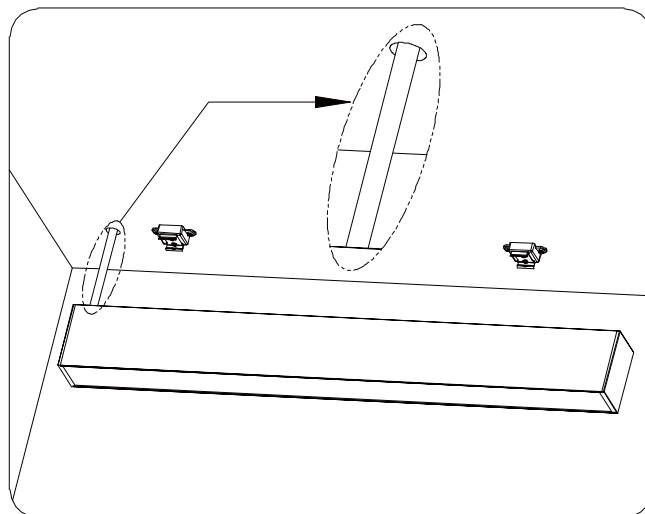
1. Plan hole distance, and drill 4 holes of 3.0mm  $\varphi$  and 1 hole of 10.0mm  $\varphi$



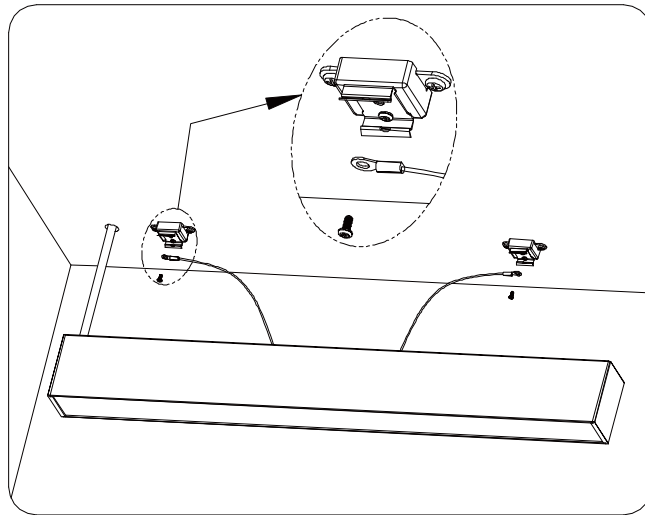
2. Fasten clip and elevated parts of clip with screws;



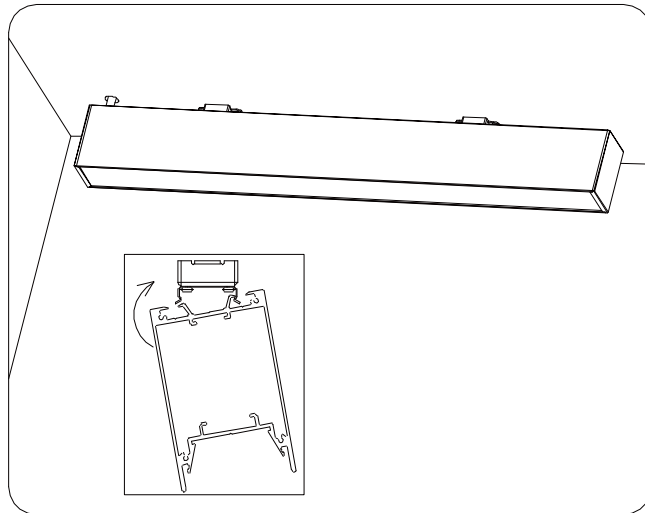
3. Fasten assembled clip kits in plastic rubber of ceiling with screws;



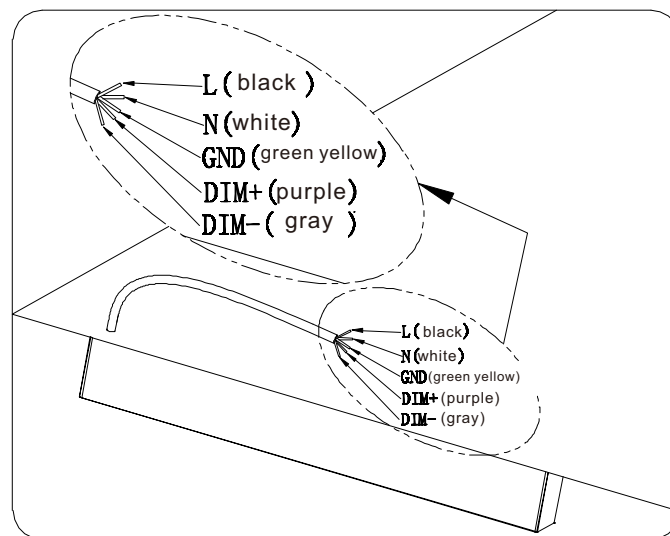
4. Thread AC input wire of lamp through another side of ceiling;



5. Thread screw through fixing hole of safety hole, then fasten it with clips kits;



6. According above detailed figure, first snap one side on clip kits, then rotate it to inatall on another side of clip kits;



7. Connect AC according mark on the input wire, then illuminate lamp, installation finish.

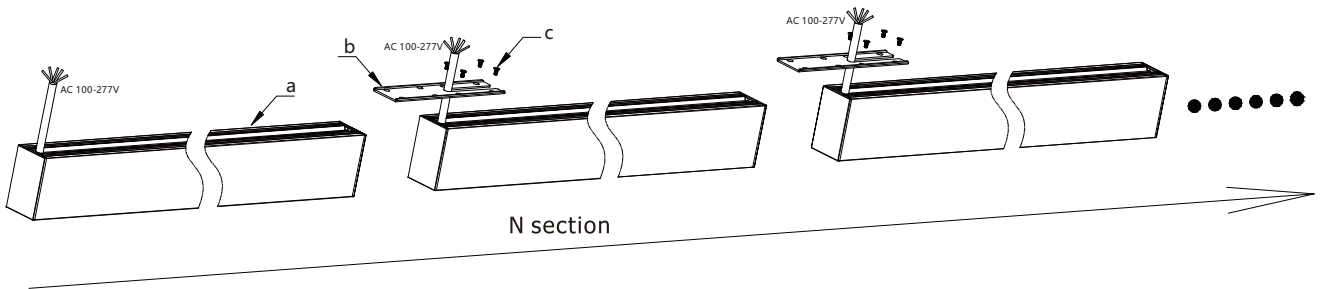




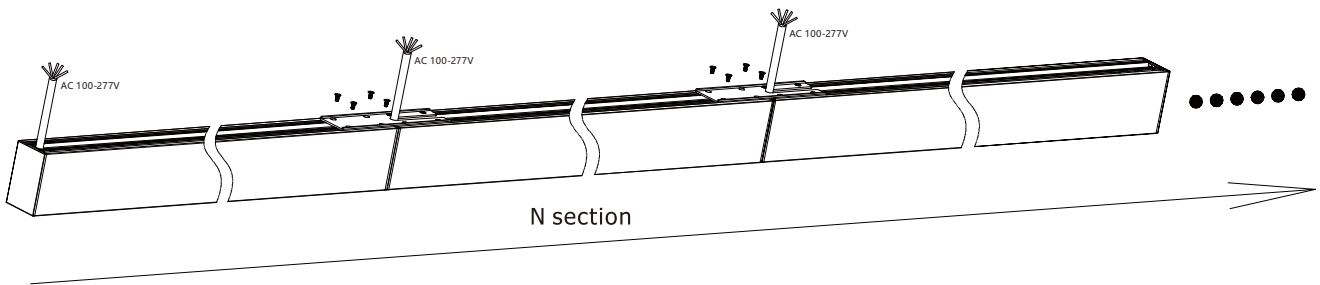
## How to connect

### Step1:Accessories

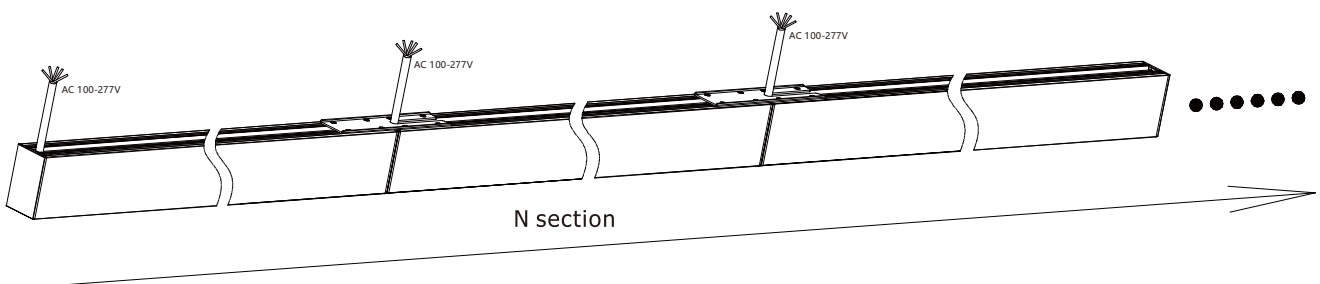
a. 10075 lamp body 1 pcs	b. connected sections(N-1)pcs	c. csrew (N-1)*8pcs
--------------------------	-------------------------------	---------------------



1. Snap AC input wire of lamp head into U-shape notch of connected section, then align fixing hole of connected section to fixing hole on lamp, finally fasten connected section and lamp with screws;



2. Align fixing hole of other side to fixing hole of lamp tail, then fasten connection section and lamp;



3.Installation finis



## Product packaging information:

20W	40W
<ul style="list-style-type: none"> <li>● Net weight/PC:1.8kg</li> <li>● Ceiling gross weight/CTN:28.2kg</li> <li style="padding-left: 20px;">Suspendent gross weight/CTN:29.3kg</li> <li>● Inner size:676X150X131mm</li> <li>● Carton size:690X615X411mm</li> <li>● 1pcs/inner box,12 inner boxes/carton.</li> </ul>	<ul style="list-style-type: none"> <li>● Net weight/PC:3.2kg</li> <li>● Ceiling gross weight/CTN:24.4kg</li> <li style="padding-left: 20px;">Suspendent gross weight/CTN:25kg</li> <li>● Inner size:1274X150X131mm</li> <li>● Carton size:1288X465X280mm</li> <li>● 1pcs/inner box,6 inner boxes/carton.</li> </ul>
50W	75W
<ul style="list-style-type: none"> <li>● Net weight/PC:3.9kg</li> <li>● Ceiling gross weight/CTN:31kg</li> <li style="padding-left: 20px;">Suspendent gross weight/CTN:31.6kg</li> <li>● Inner size:1555X150X135mm</li> <li>● Carton size:1569X464X288mm</li> <li>● 1pcs/inner box,6 inner boxes/carton.</li> </ul>	<ul style="list-style-type: none"> <li>● Net weight/PC:6.1kg</li> <li>● Ceiling gross weight/CTN:32.6kg</li> <li style="padding-left: 20px;">Suspendent gross weight/CTN:33kg</li> <li>● Inner size:2448X150X135mm</li> <li>● Carton size:2462X315X288mm</li> <li>● 1pcs/inner box,4 inner boxes/carton.</li> </ul>

### Notice

- 1.Please read the specification first, to make sure the service environment matches the condition in the specification before using.
- 2.Please confirm the applicable power supply before using.
- 3.Make sure the switch of product is off before connect to the power supply to prevent electric shock.
- 4.Operation against rules may damage your property even harm to your personal safety.
- 5.Preliminarily estimate required quantity of LED linear lights, then according to the power rating of single linear light to figure out the total power and design power supply plan.
- 6.Dangerous high voltage, Non-professionals are not allowed to maintain the products.
- 7.If the exterior flexible cable or wire is damaged, it must be exchanged by the supplier, it's agent or other similar qualified personnel to avoid dangers.