

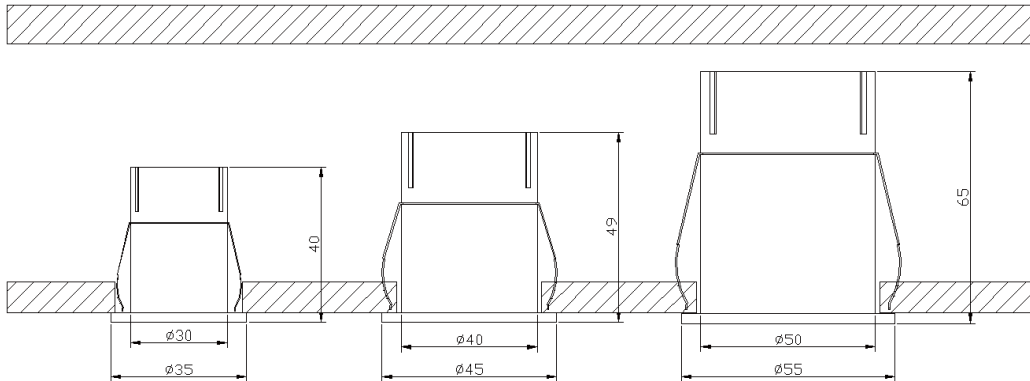
SDL01 LED Downlight

SDL01-002-R80AXXB-XXK-01
SDL01-004-R80AXXB-XXK-01
SDL01-005-R80AXXB-XXK-01

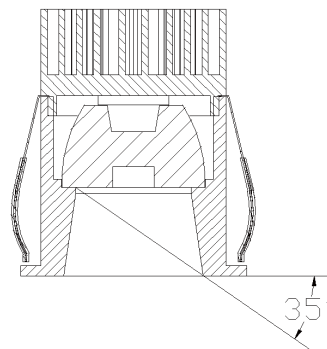


Features

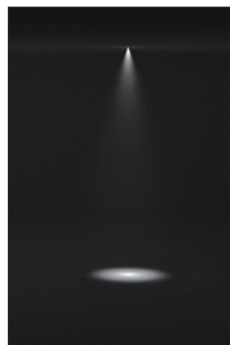
- The lamp body adopt forging's design and forming process by pure-aluminum, the surface sprayed with matte white and gray, which offer more better heat dissipation with longer service life, also a upscale appearance.
- The lamp body design with Mini-size, make it suitable for more places ,especially the limited space. the more smaller, the more delicate, and the more hiding itself.



- Anti glare design, UGR<19, create a comfortable lighting environment atmosphere.

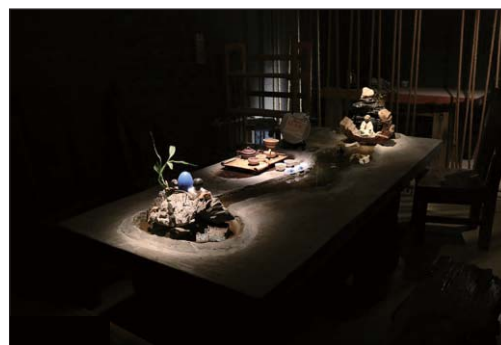
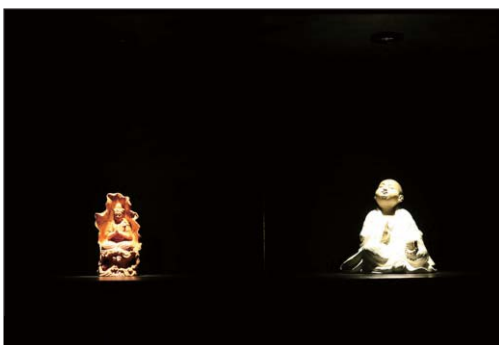


- Narrow angle design, offer 10° 24°40° even 5° or 8°, we can give stronger accent lighting, and more prominent key effects.



Application

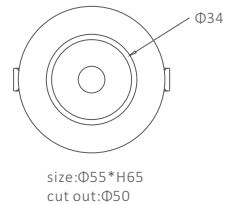
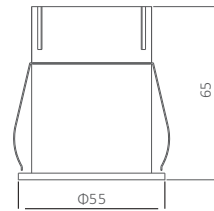
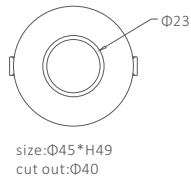
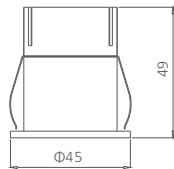
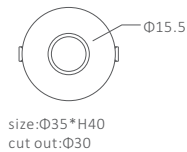
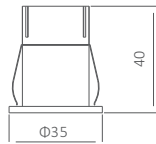
- The product is suitable for atmosphere and accent lighting in guest rooms, villas, display cabinets, artworks and places with size restrictions.



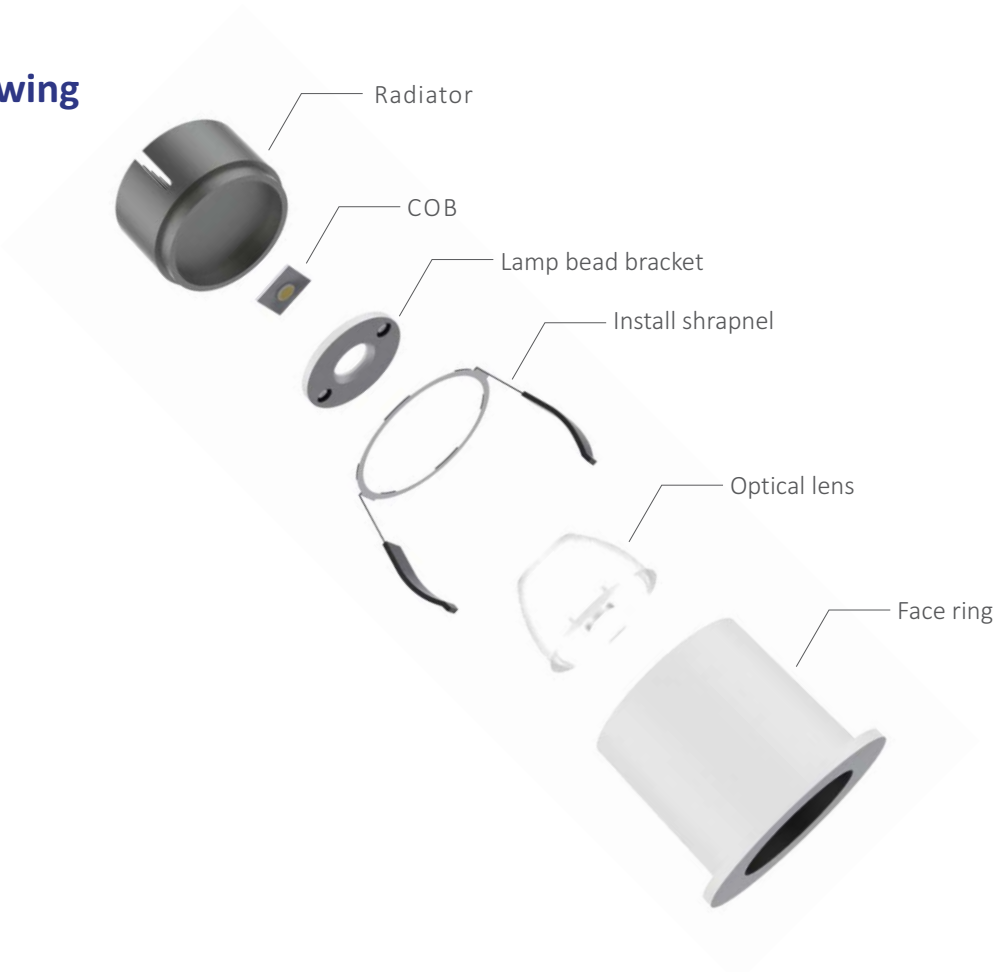
Technical parameters

Model	Color	CCT	Beam angle (°)	LED Type	Power (W)	Volatge (V)	Max.Current (A)	Frequency (Hz)	CRI	PF
SDL01-002-R80AXXB-40K-01	NW	3800K-4200K	10°/24°/38°	3535SMD	1.5W	220-240V AC	0.02	50/60Hz	>80	≥0.3
SDL01-002-R80AXXB-30K-01	WW	2800K-3200K								
SDL01-002-R80AXXB-27K-01	WW	2600K-2800K								
SDL01-004-R80AXXB-40K-01	NW	3800K-4200K	5°/10°/24°/38°	3535SMD	3.5W	220-240V AC	0.04	50/60Hz	>80	≥0.3
SDL01-004-R80AXXB-30K-01	WW	2800K-3200K								
SDL01-004-R80AXXB-27K-01	WW	2600K-2800K								
SDL01-005-R80AXXB-40K-01	NW	3800K-4200K	15°/24°/38°/60°	COB	5W	220-240V AC	0.03	50/60Hz	>80	≥0.84
SDL01-005-R80AXXB-30K-01	WW	2800K-3200K								
SDL01-005-R80AXXB-27K-01	WW	2600K-2800K								

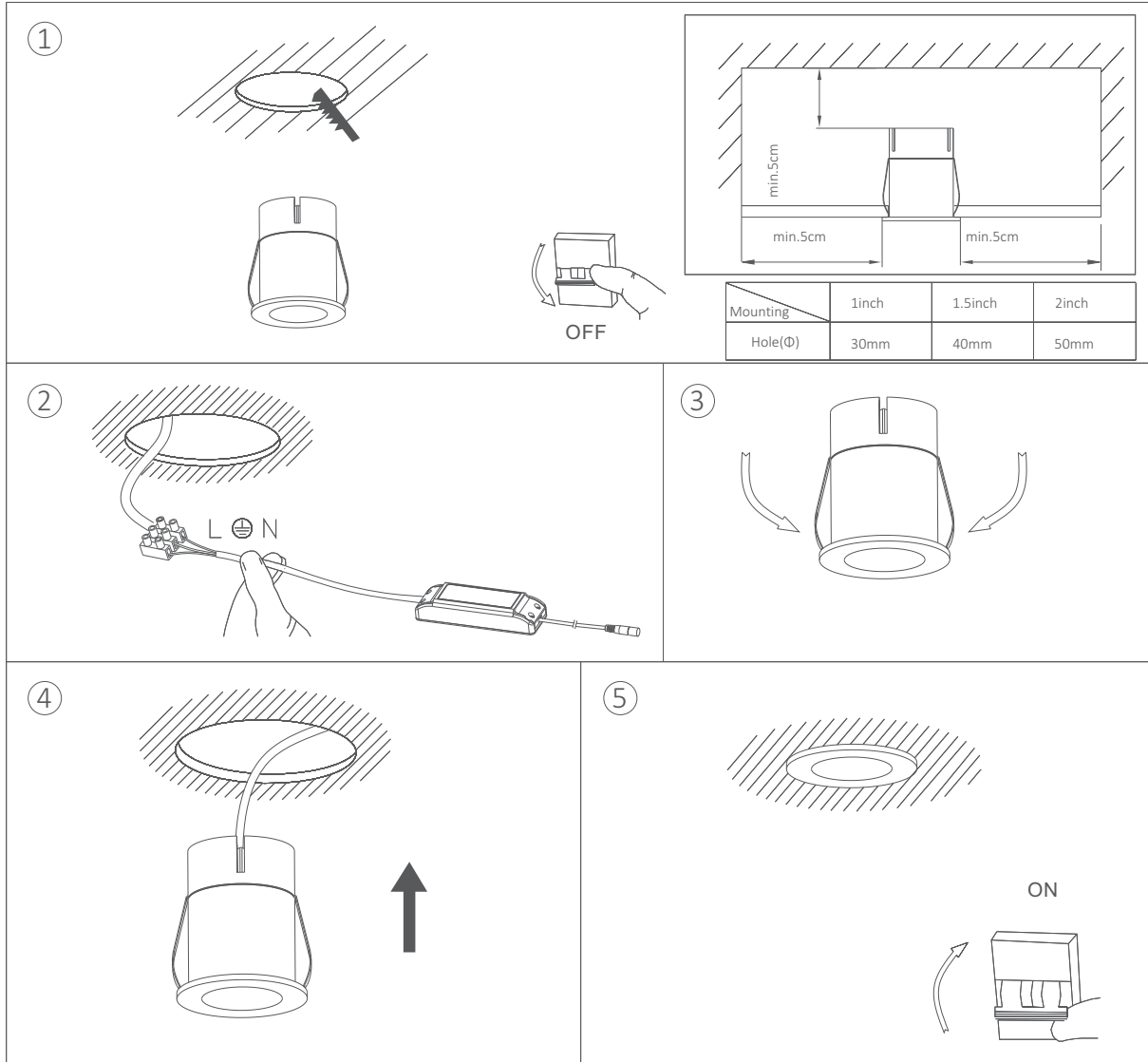
Dimensions (unit: mm)



Drawing



Installation drawing



Packaging information

Model	Inner box dimension	Carton box dimension	Unit net weight	Packing qty.	Carton box gross weight
SDL01-002	65*65*70mm	340*340*300mm	0.12KG	100PCS	18.8Kg
SDL01-004	70*70*85mm	365*365*360mm	0.16KG	100PCS	22.8Kg
SDL01-005	100*75*115mm	415*390*365mm	0.21KG	60PCS	20Kg

Notice



- Please read the product specification carefully first to confirm that the use environment is in line with the condition on the specification before it is used.
- Please confirm the applicable power supply before use.
- When the product is connected with power supply, ensure that the switch is at the disconnected state to prevent electric shock.
- Operation against the rules may destroy your articles, or even endanger your personal safety.
- Make preliminary calculation for the quantity of light and then calculate the total power according to frequency of single light. Design the power distribution scheme.
- Dangerous high voltage. Non professional personnel should not repair.
- If the external wire of the light is damaged, it should be replaced by manufacturer or service agent or personnel with similar qualification to avoid danger.
- Common sense for handling: avoid impact or press the product with heavy objects. Handle with care during the transportation and installation process.



Yijia Industrial Park, Fuqian Road, Guanlan Town, Longhua, Shenzhen, Guangdong, China

Tel:+86-755-27608650
Fax:+86-755-27608651
www.signcomplex.com
sales@signcomplex.com