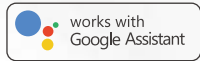


# Smart Bluetooth+Wifi

tuya module round floor lamp  
with direct/indirect lighting



TUYA MODULE ROUND FLOOR LAMP

# APPLICATION

Wide Applications: living room / bedroom / estudio / library / museum, etc

# FEATURES

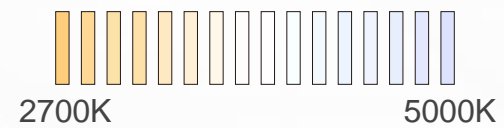


2700K



5000K

CCT adjustable, 2700-5000K color temperature can be adjusted at will.



# FEATURES



1% Brightness

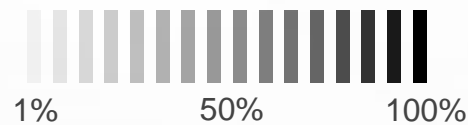


50% Brightness



100% Brightness

Dimming level, 1%-100% brightness adjustable.



# FEATURES



With RGB,cyclically switching the colorful light.



# FEATURES



Rich colors,  
easy APP operation



- Click the button to switch  
long press for 3 seconds to adjust the brightness
- Click the button to adjust the color temperature
- Click the button to adjust the color

# FEATURES

Press the button,  
Tuya module app achieves intelligent adjustment control  
and physical button adjustment control.



# FEATURES

---

Frosted high transparent PS lampshade, high transmittance and uniform light.





# FEATURES

---

Split upper and lower luminous body design,  
the upper RGB atmosphere light, the lower white light



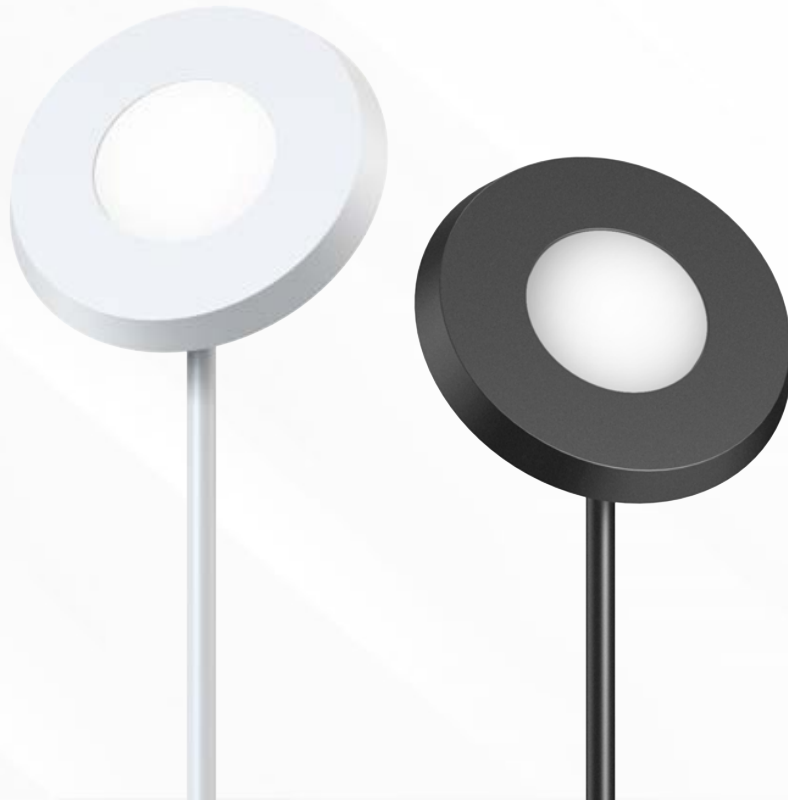
# FEATURES



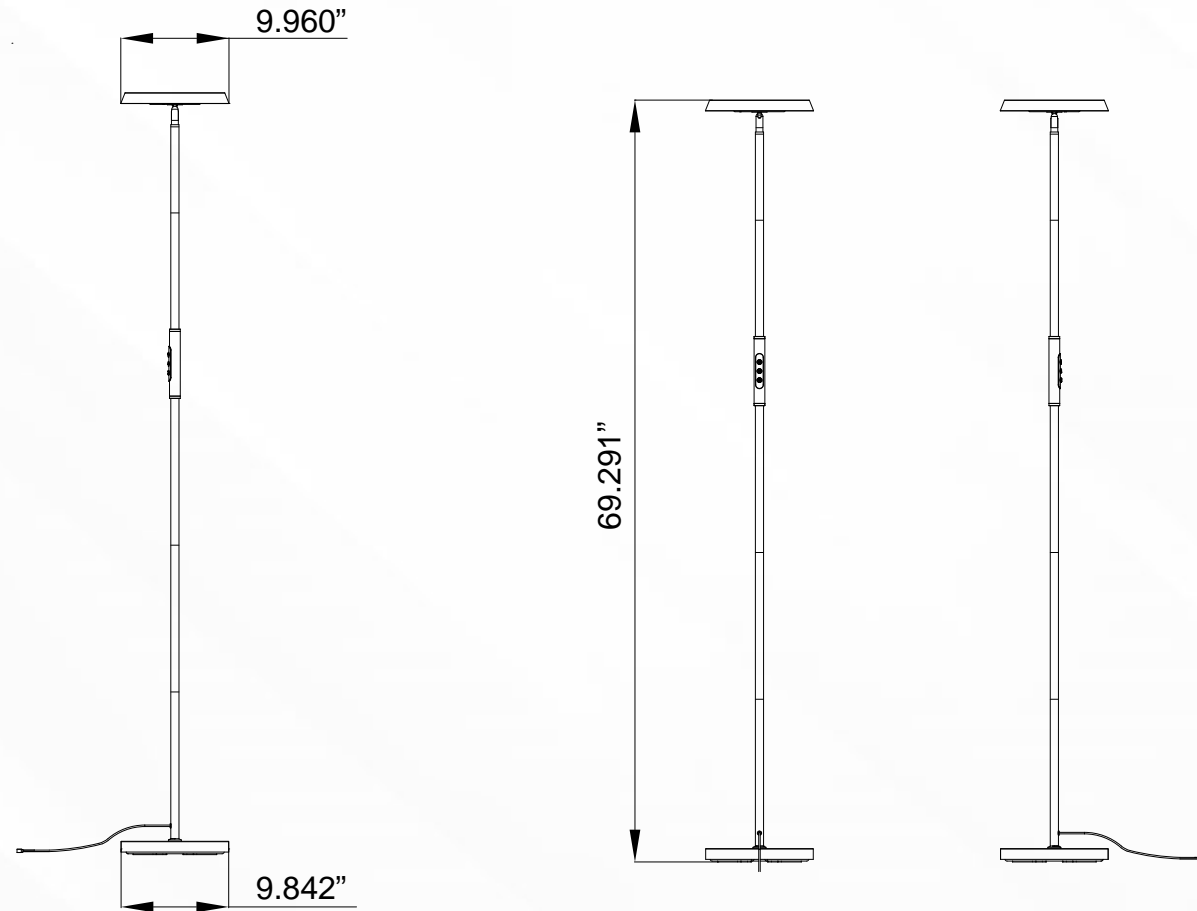
The lamp holder can freely adjust the angle to 180°.

# FEATURES

Painted surface, sand black / sand white,  
high-grade and beautiful, anti-rust and anti-corrosion.



# DIMENSIONS (unit: inch)



# INSTALLATION DRAWING

## Lamp body kit



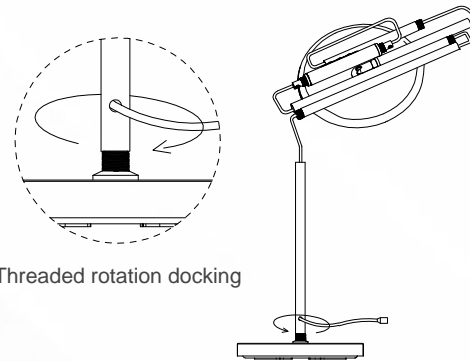
1. Lamp body 1PCS



2. Base 1PCS

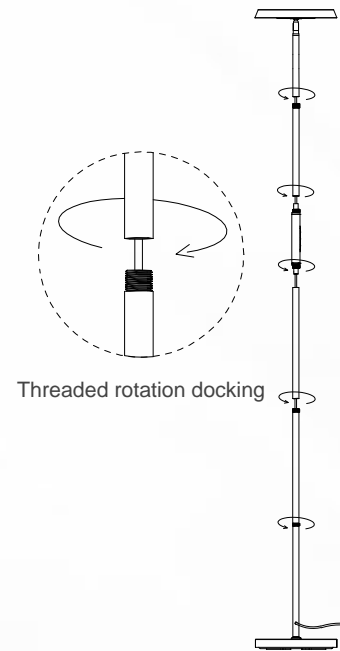


3. Adapter 1PCS



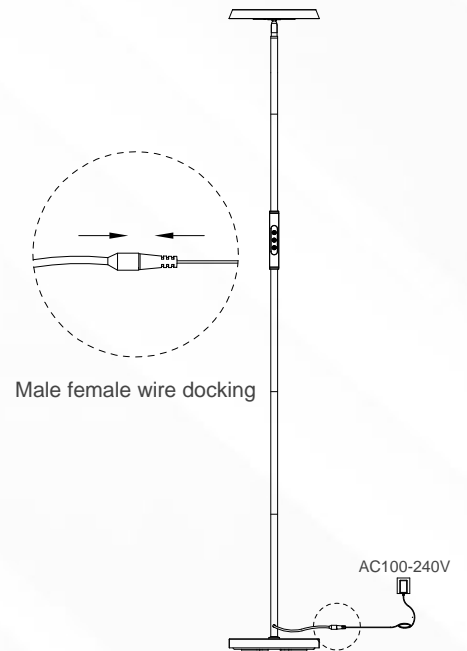
Install the first lamp pole on the base

1



Splice each section of lamp body in turn

2



Connect the adapter

3

# PARAMETER

Bluetooth+Wifi tuya module 250 floor light	Input voltage (V)	Input power					Output DC voltage	Working temperature	Output current(A)					CRI	Light efficiency	
		White light	Warm light	Red	Green	Blue			RGB	White light	Warm light	Red	Green		Blue	RGB
SC-LDD-D250-AW-T024-RERGB	100-240V	24 ± 10%W	5 ± 10%W	3 ± 10%W	3 ± 10%W	10 ± 10%W	24V	-10-40°C	/	/	/	/	/	CRI >80	1550lm	1400lm

# PACKAGING

Product Model	Size(inch)	Net weight(kg)	Inner package size(inch)	Carton size(inch)	Inner packing box(pcs/carton)	Carton packing box (pcs/carton)	Inner package weight(kg)	Carton weight(kg)
SC-LDD-D250-AW-T024-RERGB	Ø9.96*69.291	4.4	14.96*12.01*4.33	15.75*12.80*18.11	1	4	4.85	20

# NOTICE

---

- 1 The product is only suitable for indoor use, avoid long time work in humid environment;
- 2 Do not soak the product in water or other liquids;
- 3 When installing, the screws need to be locked firmly and not loose;
- 4 Do not install the product in a high temperature environment;
- 5 The adapter needs to be connected in place, and there must be no looseness or poor contact;
- 6 Do not disassemble and install the lamp and battery without permission;