

LINEAR WALL LIGHT

Collection

- RL3626 wall light
- RL7525 wall light



RoHS



Warranty
1 years



DALI
Dimmers

0-10
V



IP20



LINEAR WALL LIGHT

Collection



RL7525 wall light



RL3626 wall light

RL3626 wall light



It is Made of metal through Multiple Processes. Very beautiful design wall Lamp illuminates your room and offers superb lighting for your room.



RL7525 wall light



The wall fixture adopts a modern and fashionable appearance design, the wall luminaire can be installed vertically or horizontally, showing different decorative effects, creating a beautiful atmosphere for indoor and outdoor fields

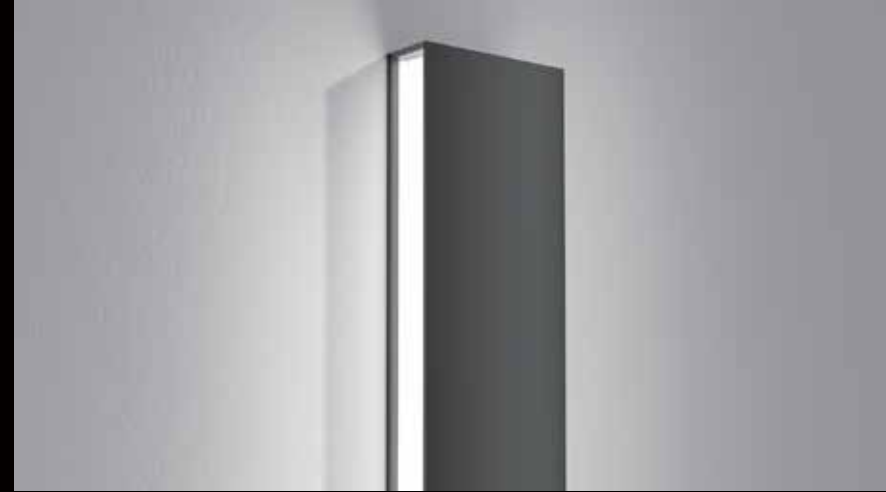


Features

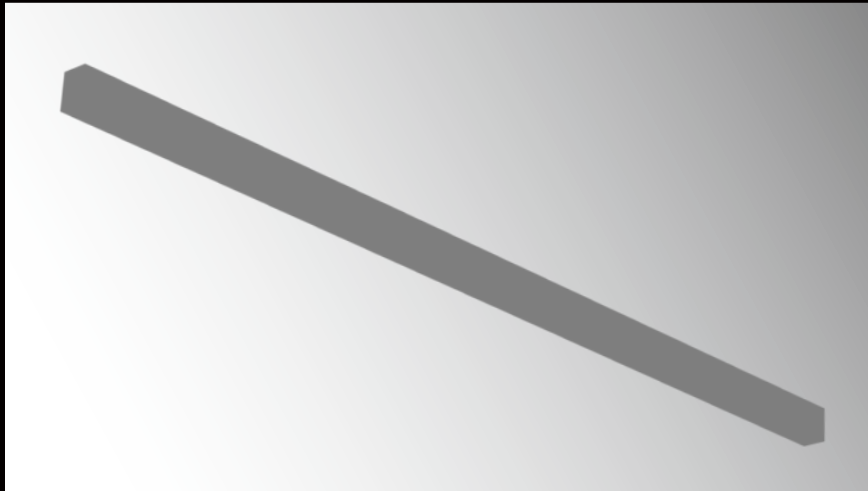
RL3626 wall light



RL7525 wall light

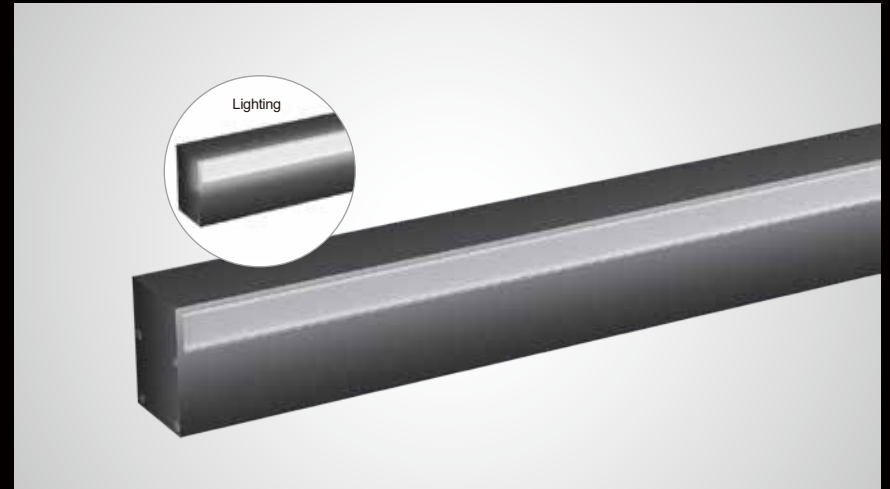


High transparent PC lampshade, high transmittance and non-dazzling soft light

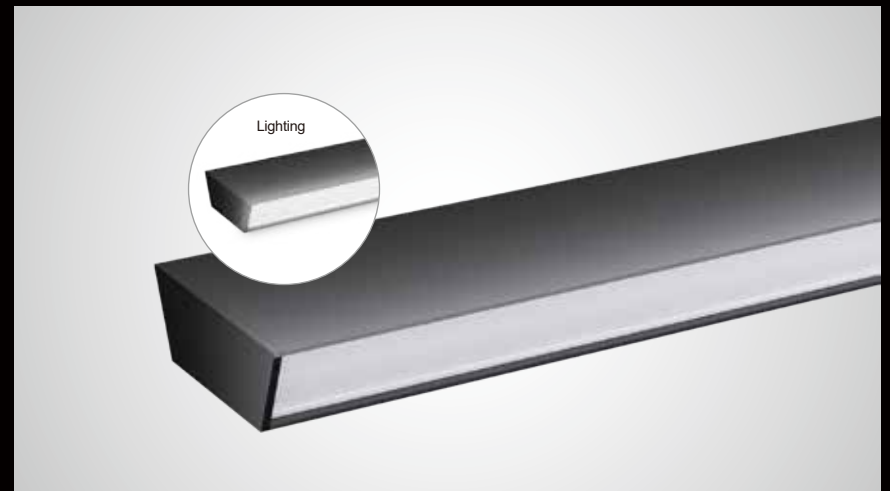


Simple linear design, fashionable and makes the space more atmospheric

RL3626 wall light



RL7525 wall light

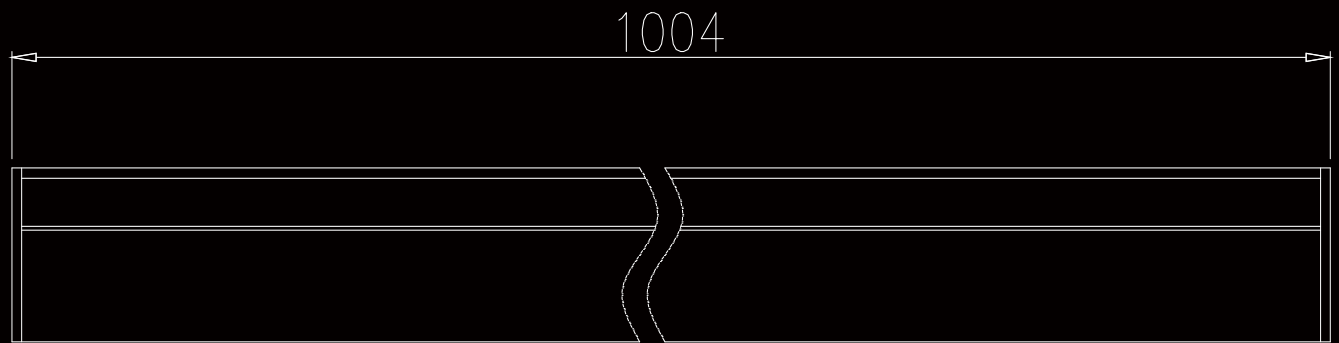
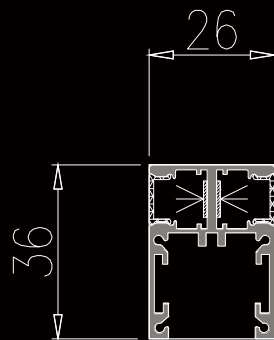


Thickened aircraft aluminium housing, robust and non-deforming, durable and with good thermal conductivity.

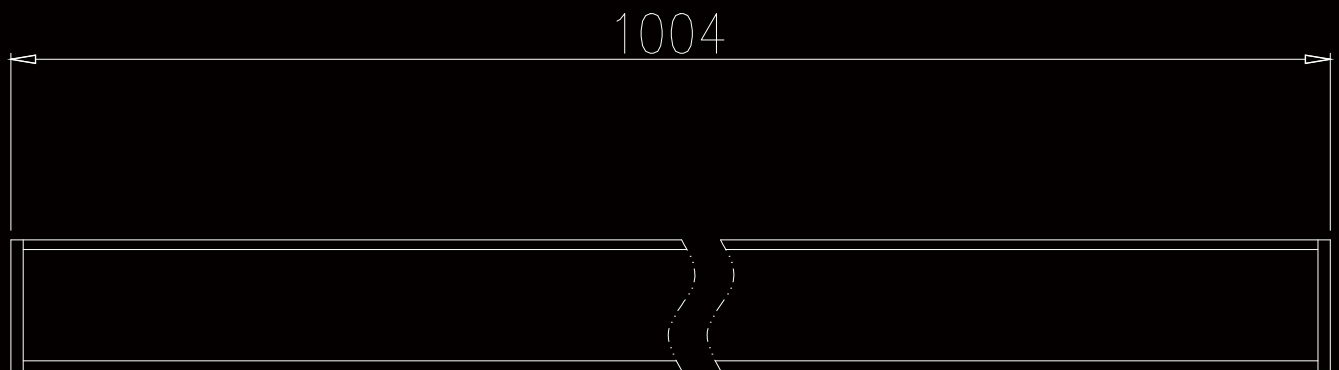
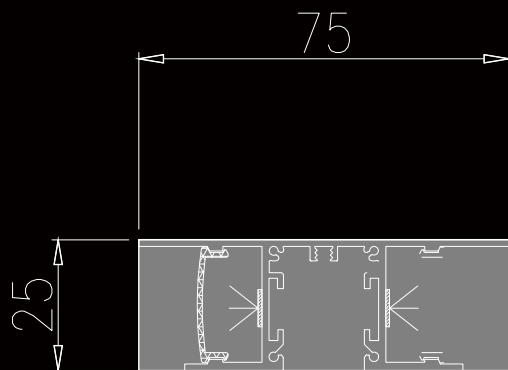
The surface is anodized for corrosion and rust prevention, with good texture

Dimensions (mm)

RL3626 wall light



RL7525 wall light

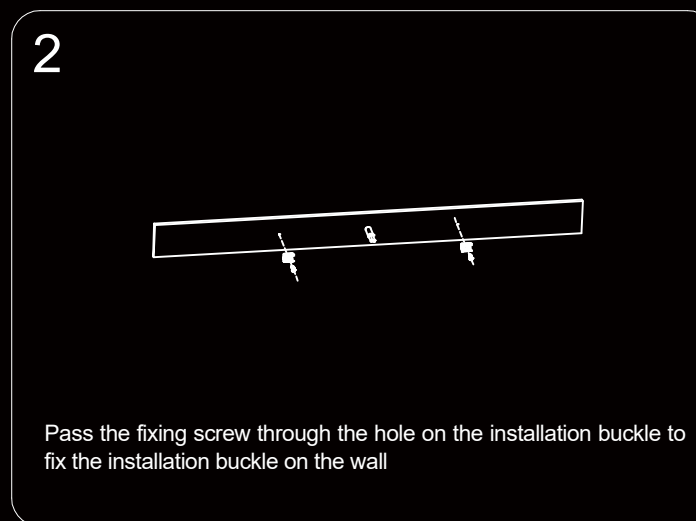
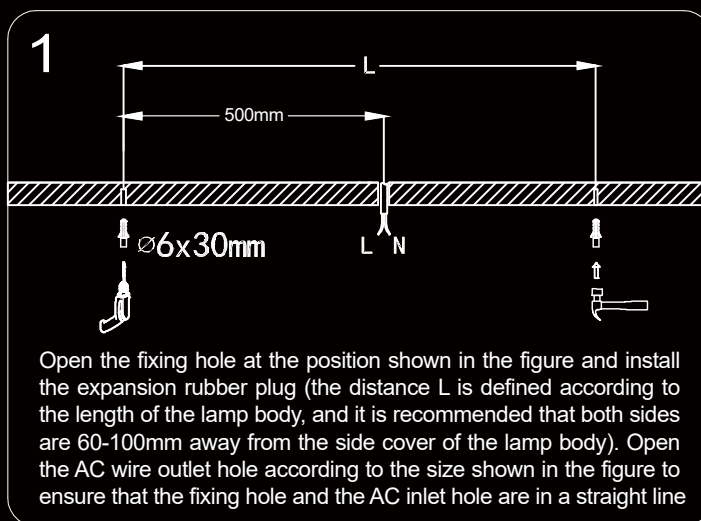


Parameter

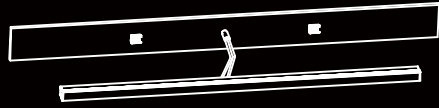
Model	Description	CCT	lumen(lm)+-10%	POWER	LED type	LED quantity (PCS)	Length (mm)	voitage	CRI
SC-RL3626-024-AW-CW	Linear wall light	6000-6500K	950	24W	2835	256	1004	220-240V AC 50/60Hz	>80
SC-RL3626-024-AW-NW		3800-4200K	1000						
SC-RL3626-024-AW-WW		2800-3200K	900						
SC-RL7525-024-AW-CW	Long wall light	6000-6500K	1200	24W	2835	256	1004	220-240V AC 50/60Hz	>80
SC-RL7525-024-AW-NW		3800-4200K	1250						
SC-RL7525-024-AW-WW		2800-3200K	1150						

Installation method

RL3626 wall light



3



Connect the AC wire on the lamp body to the AC wire embedded on the wall

4

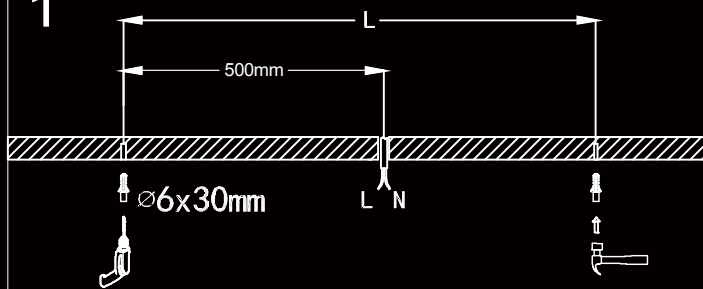


Align the lamp body slot with the installation buckle and press it down to fix the lamp body on the wall

Installation method

RL7525 wall light

1



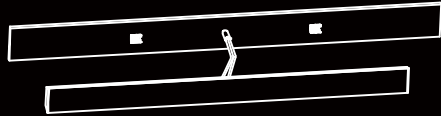
Open the fixing hole at the position shown in the figure and install the expansion rubber plug (the distance L is defined according to the length of the lamp body, and it is recommended that both sides are 60-100mm away from the side cover of the lamp body). Open the AC wire outlet hole according to the size shown in the figure to ensure that the fixing hole and the AC inlet hole are in a straight line

2



Pass the fixing screw through the hole on the installation buckle to fix the installation buckle on the wall

3



Connect the AC wire on the lamp body to the AC wire embedded on the wall

4



Align the lamp body slot with the installation buckle and press it down to fix the lamp body on the wall

Packaging

Model	Description	Inner packing size(mm)	Packing quantity of inner box (pcs / box)	Inner package weight(kg)	Carton size(mm)	Packing quantity of carton (pcs / carton)	Carton weight (kg)
SC-RL3626-024-AW-CW/NW/WW	Linear wall light	1080*66*56	1PC	0.85	1100*300*285	20	18
SC-RL7525-024-AW-CW/NW/WW	Long wall light	1080*105*55	1PC	1	1100*335*295	15	16