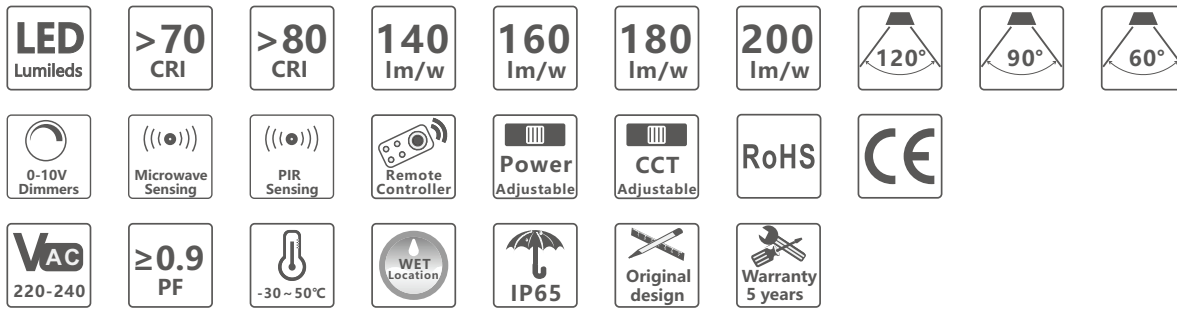




Cibay-H2 High Bay Light CE Type



Feature:

1. Built in power supply, ultra-thin design, reduce 50% freight.
2. Plug&play sensor, like Motion sensor, PIR, Daylight sensor and Bluetooth are available.
3. Power adjustable, with Dip switch, it is easy to select.
4. CCT adjustable, two-color LEDs are equally spaced and symmetrically distributed, with uniform color mixing.
5. High efficiency LED, 140lm/w, 160lm/w, 180lm/w, 200lm/w multiple brightness are levels is optional.
6. UV-resistant PC material optics, IK08 impact resistance grade.
7. Working temperature: -30 °C ~ + 50 °C.
8. Suitable for damp environment, slight corrosion-proof grade indoors.
9. Regular products provide Warranty is 5 years.



Application

Suitable for large workshop, airport, warehouse, parking lot, basement, gymnasium etc.

- * Traditional product can't be used outdoors
- * Suitable for damp environment, slight corrosion-proof grade indoors



Description

Cibay-H2 series products have pluggable expansion interface. The interface adopts a new generation of independent patent design. The required functional modules can be inserted into the interface to obtain the corresponding functions, plug and play, without wiring, which greatly saves labor costs. The expansion interface can support microwave sensor, PIR sensor, Bluetooth sensor, signal converter, etc.

the functions required by customers can be easily installed and replaced by themselves, which is very convenient. The new generation of expandable interface can also be built with many practical functions such as adjustable power, adjustable CCT and channel switching.

All functions can be integrated with the expansion interface for centralized control, convenient and beautiful.

Cibay-H2 series products adopt the ultra-thin integrated design scheme of built-in power supply, which can effectively reduce the transportation cost and reduce the occupation of storage space.

Technical parameters

Model	CCT	Lumen(lm) ±10%	Beam(angle°) ±10%	LEDs type CRI	Power(W)	Voltage Frequency	Notes
CBH2-100-AH-60K-D401/D411/D421	5500~6500K	13700	120、90、60°	SMD2835 CRI>80	100W	AH:220~240Vac 50~60Hz,Max0.60A	AH-140LM/W
CBH2-100-AH-50K-D401/D411/D421	4700~5300K	14000					
CBH2-100-AH-40K-D401/D411/D421	3700~4300K	13800					
CBH2-100-AH-30K-D401/D411/D421	2700~3200K	13000					
CBH2-150-AH-60K-D401/D411/D421	5500~6500K	20550	120、90、60°	SMD2835 CRI>80	150W	AH:220~240Vac 50~60Hz,Max0.85A	
CBH2-150-AH-50K-D401/D411/D421	4700~5300K	21000					
CBH2-150-AH-40K-D401/D411/D421	3700~4300K	20700					
CBH2-150-AH-30K-D401/D411/D421	2700~3200K	19500					
CBH2-200-AH-60K-D401/D411/D421	5500~6500K	27400	120、90、60°	SMD2835 CRI>80	200W	AH:220~240Vac 50~60Hz,Max1.20A	
CBH2-200-AH-50K-D401/D411/D421	4700~5300K	28000					
CBH2-200-AH-40K-D401/D411/D421	3700~4300K	27600					
CBH2-200-AH-30K-D401/D411/D421	2700~3200K	26000					
CBH2-100-AH-60K-D601/D611/D621	5500~6500K	15700	120、90、60°	SMD2835 CRI>80	100W	AH:220~240Vac 50~60Hz,Max0.60A	
CBH2-100-AH-50K-D601/D611/D621	4700~5300K	16000					
CBH2-100-AH-40K-D601/D611/D621	3700~4300K	15800					
CBH2-100-AH-30K-D601/D611/D621	2700~3200K	15000					
CBH2-150-AH-60K-D601/D611/D621	5500~6500K	23550	120、90、60°	SMD2835 CRI>80	150W	AH:220~240Vac 50~60Hz,Max0.85A	
CBH2-150-AH-50K-D601/D611/D621	4700~5300K	24000					
CBH2-150-AH-40K-D601/D611/D621	3700~4300K	23700					
CBH2-150-AH-30K-D601/D611/D621	2700~3200K	22500					
CBH2-200-AH-60K-D601/D611/D621	5500~6500K	31400	120、90、60°	SMD2835 CRI>80	200W	AH:220~240Vac 50~60Hz,Max1.20A	
CBH2-200-AH-50K-D601/D611/D621	4700~5300K	32000					
CBH2-200-AH-40K-D601/D611/D621	3700~4300K	31600					
CBH2-200-AH-30K-D601/D611/D621	2700~3200K	30000					
CBH2-100-AH-60K-D801/D811/D821	5500~6500K	17500	120、90、60°	SMD2835 CRI>70	100W	AH:220~240Vac 50~60Hz,Max0.60A	
CBH2-100-AH-50K-D801/D811/D821	4700~5300K	17800					
CBH2-100-AH-40K-D801/D811/D821	3700~4300K	17600					
CBH2-100-AH-30K-D801/D811/D821	2700~3200K	16800					
CBH2-150-AH-60K-D801/D811/D821	5500~6500K	26250	120、90、60°	SMD2835 CRI>70	150W	AH:220~240Vac 50~60Hz,Max0.85A	
CBH2-150-AH-50K-D801/D811/D821	4700~5300K	26700					
CBH2-150-AH-40K-D801/D811/D821	3700~4300K	26400					
CBH2-150-AH-30K-D801/D811/D821	2700~3200K	25200					
CBH2-200-AH-60K-D801/D811/D821	5500~6500K	35000	120、90、60°	SMD2835 CRI>70	200W	AH:220~240Vac 50~60Hz,Max1.20A	
CBH2-200-AH-50K-D801/D811/D821	4700~5300K	35600					
CBH2-200-AH-40K-D801/D811/D821	3700~4300K	35200					
CBH2-200-AH-30K-D801/D811/D821	2700~3200K	33600					
CBH2-100-AH-60K-DA01/DA11/DA21	5500~6500K	19200	120、90、60°	SMD3030 CRI>70	100W	AH:220~240Vac 50~60Hz,Max0.60A	
CBH2-100-AH-50K-DA01/DA11/DA21	4700~5300K	19500					
CBH2-100-AH-40K-DA01/DA11/DA21	3700~4300K	19300					
CBH2-100-AH-30K-DA01/DA11/DA21	2700~3200K	18500					
CBH2-150-AH-60K-DA01/DA11/DA21	5500~6500K	28800	120、90、60°	SMD3030 CRI>70	150W	AH:220~240Vac 50~60Hz,Max0.85A	
CBH2-150-AH-50K-DA01/DA11/DA21	4700~5300K	29250					
CBH2-150-AH-40K-DA01/DA11/DA21	3700~4300K	28950					
CBH2-150-AH-30K-DA01/DA11/DA21	2700~3200K	27750					
CBH2-200-AH-60K-DA01/DA11/DA21	5500~6500K	38400	120、90、60°	SMD3030 CRI>70	200W	AH:220~240Vac 50~60Hz,Max1.20A	
CBH2-200-AH-50K-DA01/DA11/DA21	4700~5300K	39000					
CBH2-200-AH-40K-DA01/DA11/DA21	3700~4300K	38600					
CBH2-200-AH-30K-DA01/DA11/DA21	2700~3200K	37000					

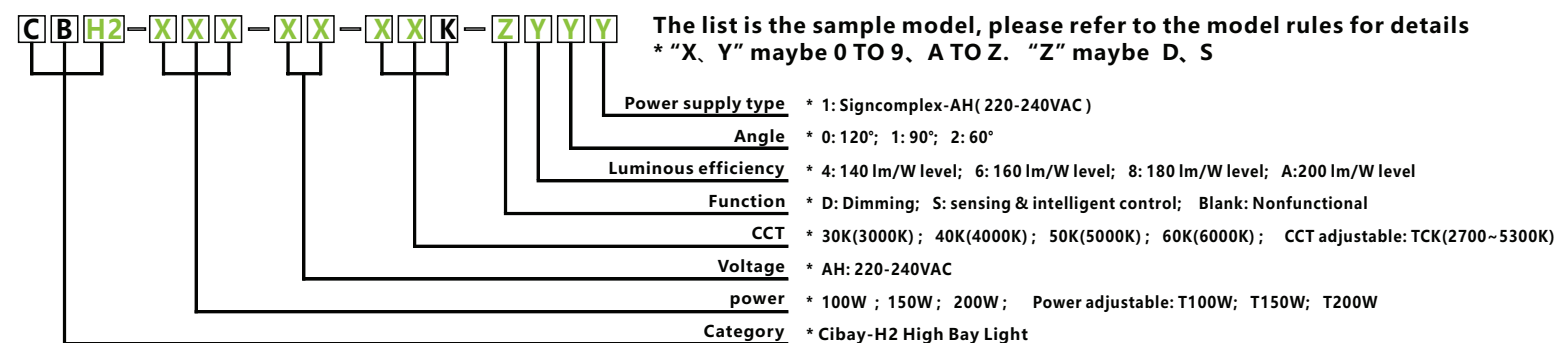
Technical parameters

Model	CCT	Lumen(lm) ±10%	Beam(angle°) ±10%	LEDs type CRI	Power(W)	Voltage Frequency	Notes
CBH2-T100-AH-60K-D401/D411/D421	5500~6500K	13700	120、90、60°	SMD2835 CRI>80	60~80~100W	AH:220~240Vac 50~60Hz,Max0.60A	Power Adjustable AH-140LM/W
CBH2-T100-AH-50K-D401/D411/D421	4700~5300K	14000					
CBH2-T100-AH-40K-D401/D411/D421	3700~4300K	13800					
CBH2-T100-AH-30K-D401/D411/D421	2700~3200K	13000					
CBH2-T150-AH-60K-D401/D411/D421	5500~6500K	20550	120、90、60°	SMD2835 CRI>80	100~120~150W	AH:220~240Vac 50~60Hz,Max0.85A	
CBH2-T150-AH-50K-D401/D411/D421	4700~5300K	21000					
CBH2-T150-AH-40K-D401/D411/D421	3700~4300K	20700					
CBH2-T150-AH-30K-D401/D411/D421	2700~3200K	19500					
CBH2-T200-AH-60K-D401/D411/D421	5500~6500K	27400	120、90、60°	SMD2835 CRI>80	120~150~200W	AH:220~240Vac 50~60Hz,Max1.20A	
CBH2-T200-AH-50K-D401/D411/D421	4700~5300K	28000					
CBH2-T200-AH-40K-D401/D411/D421	3700~4300K	27600					
CBH2-T200-AH-30K-D401/D411/D421	2700~3200K	26000					
CBH2-T100-AH-60K-D601/D611/D621	5500~6500K	15700	120、90、60°	SMD2835 CRI>80	60~80~100W	AH:220~240Vac 50~60Hz,Max0.60A	Power Adjustable AH-160LM/W
CBH2-T100-AH-50K-D601/D611/D621	4700~5300K	16000					
CBH2-T100-AH-40K-D601/D611/D621	3700~4300K	15800					
CBH2-T100-AH-30K-D601/D611/D621	2700~3200K	15000					
CBH2-T150-AH-60K-D601/D611/D621	5500~6500K	23550	120、90、60°	SMD2835 CRI>80	100~120~150W	AH:220~240Vac 50~60Hz,Max0.85A	
CBH2-T150-AH-50K-D601/D611/D621	4700~5300K	24000					
CBH2-T150-AH-40K-D601/D611/D621	3700~4300K	23700					
CBH2-T150-AH-30K-D601/D611/D621	2700~3200K	22500					
CBH2-T200-AH-60K-D601/D611/D621	5500~6500K	31400	120、90、60°	SMD2835 CRI>80	120~150~200W	AH:220~240Vac 50~60Hz,Max1.20A	
CBH2-T200-AH-50K-D601/D611/D621	4700~5300K	32000					
CBH2-T200-AH-40K-D601/D611/D621	3700~4300K	31600					
CBH2-T200-AH-30K-D601/D611/D621	2700~3200K	30000					
CBH2-T100-AH-60K-D801/D811/D821	5500~6500K	17500	120、90、60°	SMD2835 CRI>70	60~80~100W	AH:220~240Vac 50~60Hz,Max0.60A	Power Adjustable AH-180LM/W
CBH2-T100-AH-50K-D801/D811/D821	4700~5300K	17800					
CBH2-T100-AH-40K-D801/D811/D821	3700~4300K	17600					
CBH2-T100-AH-30K-D801/D811/D821	2700~3200K	16800					
CBH2-T150-AH-60K-D801/D811/D821	5500~6500K	26250	120、90、60°	SMD2835 CRI>70	100~120~150W	AH:220~240Vac 50~60Hz,Max0.85A	
CBH2-T150-AH-50K-D801/D811/D821	4700~5300K	26700					
CBH2-T150-AH-40K-D801/D811/D821	3700~4300K	26400					
CBH2-T150-AH-30K-D801/D811/D821	2700~3200K	25200					
CBH2-T200-AH-60K-D801/D811/D821	5500~6500K	35000	120、90、60°	SMD2835 CRI>70	120~150~200W	AH:220~240Vac 50~60Hz,Max1.20A	
CBH2-T200-AH-50K-D801/D811/D821	4700~5300K	35600					
CBH2-T200-AH-40K-D801/D811/D821	3700~4300K	35200					
CBH2-T200-AH-30K-D801/D811/D821	2700~3200K	33600					
CBH2-T100-AH-60K-DA01/DA11/DA21	5500~6500K	19200	120、90、60°	SMD3030 CRI>70	60~80~100W	AH:220~240Vac 50~60Hz,Max0.60A	Power Adjustable AH-200LM/W
CBH2-T100-AH-50K-DA01/DA11/DA21	4700~5300K	19500					
CBH2-T100-AH-40K-DA01/DA11/DA21	3700~4300K	19300					
CBH2-T100-AH-30K-DA01/DA11/DA21	2700~3200K	18500					
CBH2-T150-AH-60K-DA01/DA11/DA21	5500~6500K	28800	120、90、60°	SMD3030 CRI>70	100~120~150W	AH:220~240Vac 50~60Hz,Max0.85A	
CBH2-T150-AH-50K-DA01/DA11/DA21	4700~5300K	29250					
CBH2-T150-AH-40K-DA01/DA11/DA21	3700~4300K	28950					
CBH2-T150-AH-30K-DA01/DA11/DA21	2700~3200K	27750					
CBH2-T200-AH-60K-DA01/DA11/DA21	5500~6500K	38400	120、90、60°	SMD3030 CRI>70	120~150~200W	AH:220~240Vac 50~60Hz,Max1.20A	
CBH2-T200-AH-50K-DA01/DA11/DA21	4700~5300K	39000					
CBH2-T200-AH-40K-DA01/DA11/DA21	3700~4300K	38600					
CBH2-T200-AH-30K-DA01/DA11/DA21	2700~3200K	37000					

Technical parameters

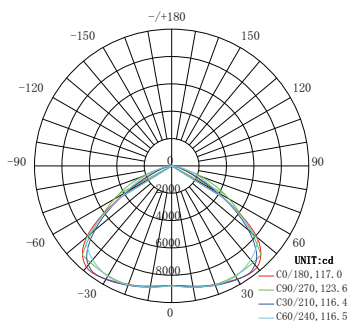
Model	CCT	Lumen(lm) ±10%	Beam(angle°) ±10%	LEDs type CRI	Power(W)	Voltage Frequency	Notes
CBH2-100-AH-TCK-D401/D411/D421	2700~5300k (30k~40k~50k)	12800~14200	120、90、60°	SMD2835 CRI>80	100W	AH:220~240Vac 50~60Hz,Max0.60A	CCT Adjustable AH-140LM/W
CBH2-150-AH-TCK-D401/D411/D421		19200~21300			150W	AH:220~240Vac 50~60Hz,Max0.85A	
CBH2-200-AH-TCK-D401/D411/D421		25600~28400			200W	AH:220~240Vac 50~60Hz,Max1.20A	
CBH2-100-AH-TCK-D601/D611/D621	2700~5300k (30k~40k~50k)	14800~16200	120、90、60°	SMD2835 CRI>80	100W	AH:220~240Vac 50~60Hz,Max0.60A	CCT Adjustable AH-160LM/W
CBH2-150-AH-TCK-D601/D611/D621		22200~24300			150W	AH:220~240Vac 50~60Hz,Max0.85A	
CBH2-200-AH-TCK-D601/D611/D621		29600~32400			200W	AH:220~240Vac 50~60Hz,Max1.20A	
CBH2-T100-AH-TCK-D401/D411/D421	2700~5300k (30k~40k~50k)	12800~14200	120、90、60°	SMD2835 CRI>80	60~80~100W	AH:220~240Vac 50~60Hz,Max0.60A	CCT+Power Adjustable AH-140LM/W
CBH2-T150-AH-TCK-D401/D411/D421		19200~21300			100~120~150W	AH:220~240Vac 50~60Hz,Max0.85A	
CBH2-T200-AH-TCK-D401/D411/D421		25600~28400			120~150~200W	AH:220~240Vac 50~60Hz,Max1.20A	
CBH2-T100-AH-TCK-D601/D611/D621	2700~5300k (30k~40k~50k)	14800~16200	120、90、60°	SMD2835 CRI>80	60~80~100W	AH:220~240Vac 50~60Hz,Max0.60A	CCT+Power Adjustable AH-160LM/W
CBH2-T150-AH-TCK-D601/D611/D621		22200~24300			100~120~150W	AH:220~240Vac 50~60Hz,Max0.85A	
CBH2-T200-AH-TCK-D601/D611/D621		29600~32400			120~150~200W	AH:220~240Vac 50~60Hz,Max1.20A	

Model rule



Distribution Diagram

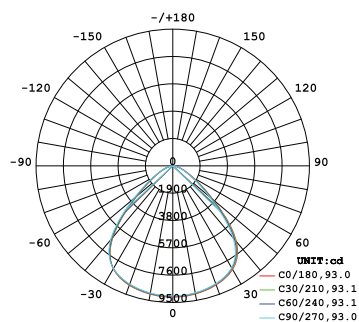
LUMINOUS INTENSITY DISTRIBUTION DIAGRAM



AVERAGE BEAM ANGLE(50%):115.2 DEG

120deg

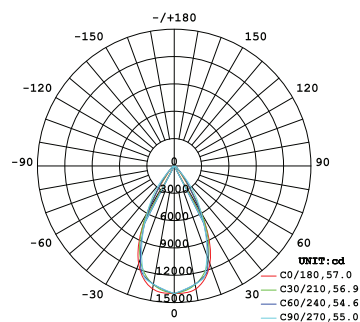
LUMINOUS INTENSITY DISTRIBUTION DIAGRAM



AVERAGE BEAM ANGLE(50%):93.1 DEG

90deg

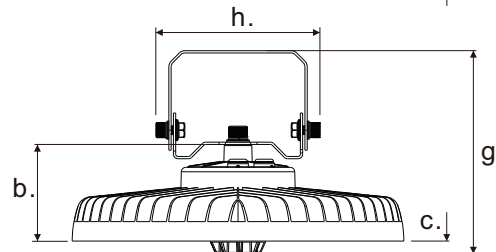
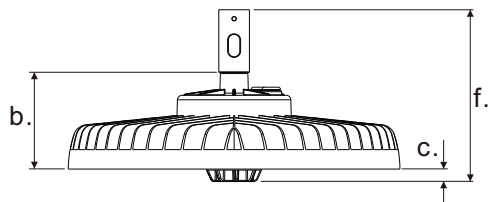
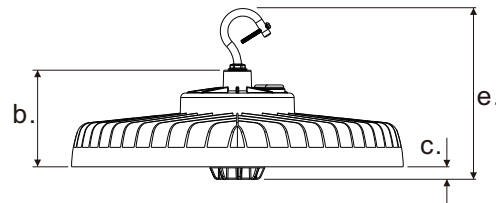
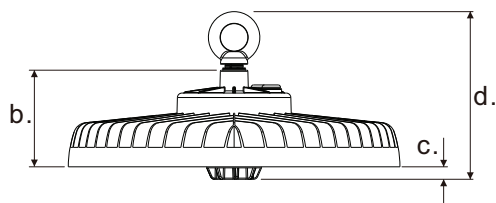
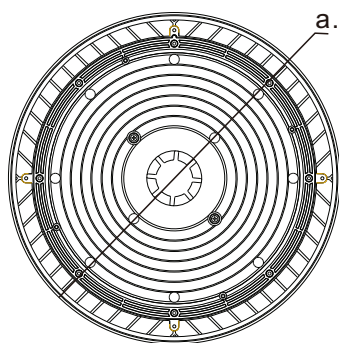
LUMINOUS INTENSITY DISTRIBUTION DIAGRAM



AVERAGE BEAM ANGLE(50%):56.9 DEG

60deg

Dimension(Unit:mm/inch)



Identification	100W	150W	200W
a.	218mm,8.58"	252mm,9.92"	290mm,11.41"
b.		84.5mm,3.32"	
c.		11mm,0.43"	
d.		146mm,5.74"	
e.		161mm,6.33"	
f.		151mm,5.94"	
g.		177mm,6.96"	
h.		143mm,5.62"	

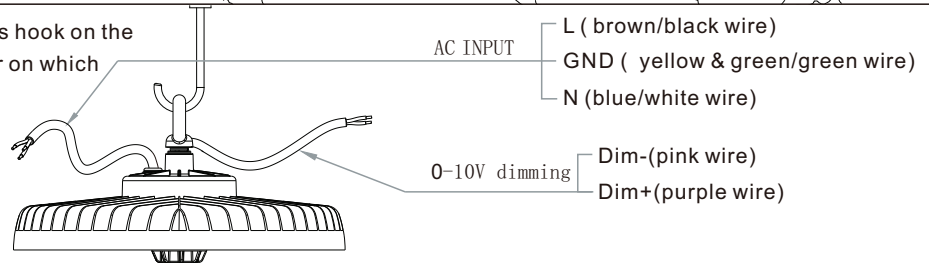
External convex with Microwave motion sensor: 13.5mm,0.53"
 External convex with PIR motion sensor: 24.5mm,0.96"

Product Installation

Suspendent ring installation

The lifting ring is applicable to pendant with opening such as hook on the ceiling, climbing button carabiner as well as pendant carrier on which an opening may be made.

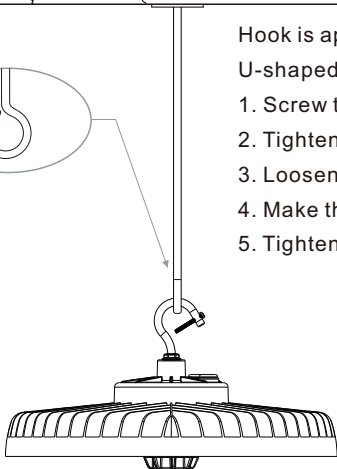
1. Screw the lifting ring into the interface on light top before installation.
2. Tighten the auxiliary anti-falling screws at side of the interface.
3. Make the hook on the ceiling thread through the lifting ring and hang the light stably.
4. If the pendant has lock catch or anti-off device, they should be at effective state.



hook installation

Hook is applicable to be installed on sealed ring structure or pipes such as sealing hook, U-shaped circle hook, steel pipes or other carriers.

1. Screw the hook into the interface on light top before installation.
2. Tighten the auxiliary anti-off screws at side of the interface.
3. Loosen the sealing screws of the hook (the hook has an opening about 30mm).
4. Make the hook thread through the sealing ring and hang the light stably.
5. Tighten the sealing screws of the hook.

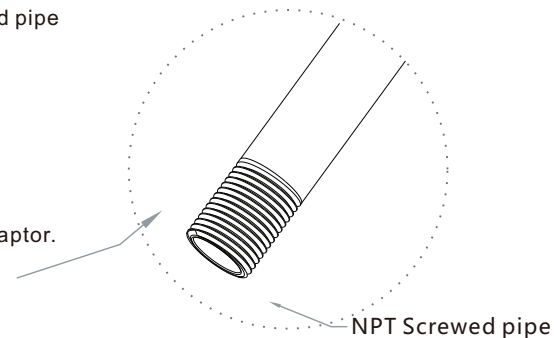
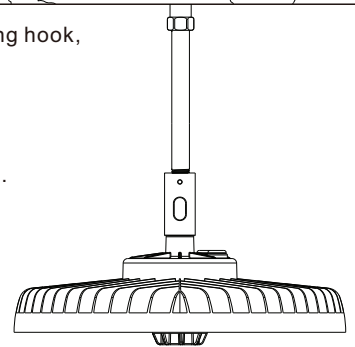


There are two types of adaptors for installation of corrugated pipe including 1/2NPT or 3/4NPT corrugated hose adaptors. As the installation mode of corrugated pipe is special, the supporting hose should meet the following characters :

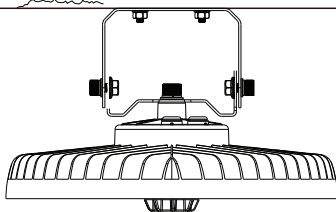
- a. reach the bearing requirements no matter it is hard pipe or flexible pipes.
- b. The pipe opening has 1/2NPT or 3/4NPT threads.
- c. The thread length of pipe should be <25mm. It is suggested about 20mm.

1. Use M10 hexagon socket head cap screws to fix the adaptor at top interface of the light.
2. If the wire goes through the pipe, thread the cable into pipe cavity from side hole of the adaptor.
3. Tighten the auxiliary anti-off screws at side of the interface.
4. Perform spiral connection between the threaded pipes and adaptor.
5. Tighten the auxiliary anti-slide screws on the adaptor.

pipe installation

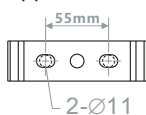


U Bracket Ceiling or Wall Installation

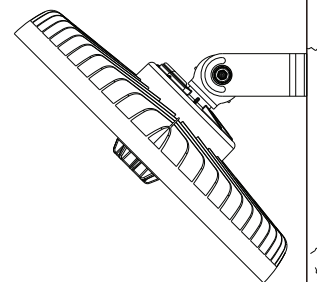


The U-shaped support is applicable to wall installation or ceiling installation. The installation position should comply with the bearing requirements. The following recommended size should be observed to open holes on the walls.

1. Insert the expansion screws into wall holes.
2. Make the head of expansion screws through installation hole of U-shaped support.
3. Tighten the expansion screws to make the support suck on the walls firmly.
4. Dismantle the auxiliary screws on two sides of the support and loose screws of the spindle slightly.
5. Rotate the support to suitable degree and replace auxiliary screws at two sides.



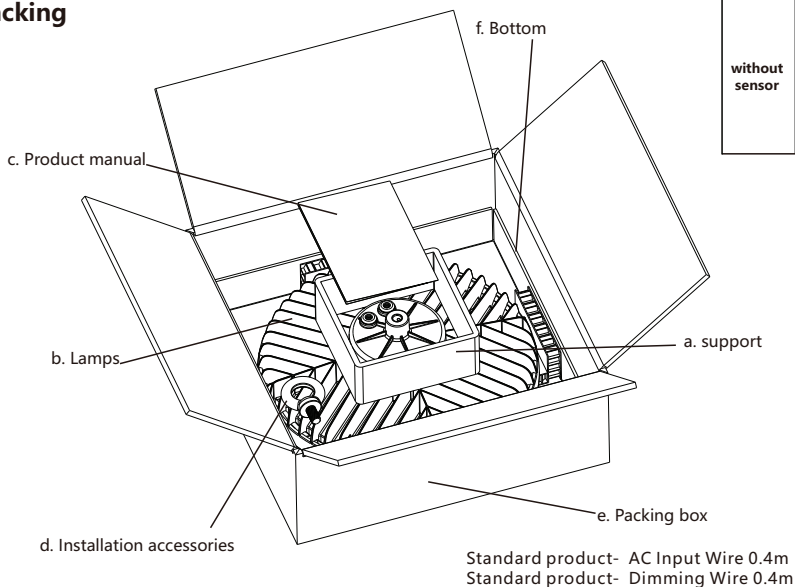
Recommended dimension of drilling hole



The power supply should be cut off during installation. If it is used in environment with vibration, the safety rope should be provided. In case of installation with lifting ring and hook, Can be extended by chain. Any installation mode should ensure that the carrier reaches effective bearing. The bearing capacity is four times or above of the total hung weight at least. The disconnection of power supply should be kept for 30 minutes at least for maintenance to prevent scalding by high heat.

Package information

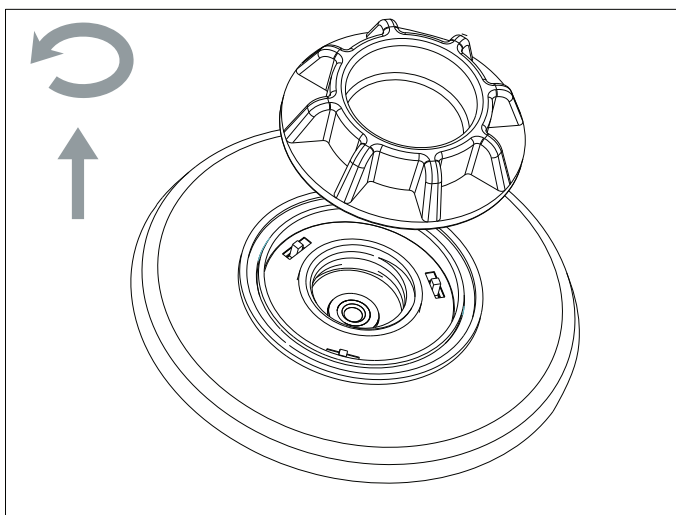
Packing



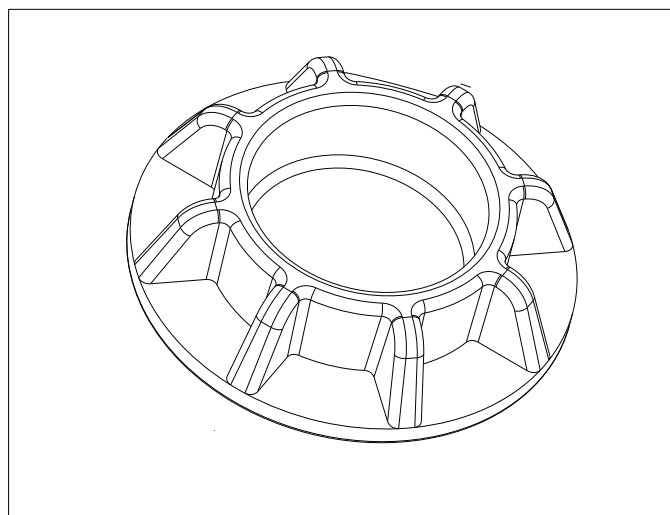
without sensor	Power	100W	150W	200W
	Net weight	1.3Kg	1.5Kg	1.8Kg
	box dimension	266*266*138mm	300*300*138mm	338*338*138mm
	Pack Quantity	1pc	1pc	1pc
	Gross Weight	2.1Kg	2.4Kg	2.8Kg

Identification	Quantity
a. support	1pcs
b. Lamps	1pc
c. Product manual	1pc
d. Installation accessories	1pc
e. Packing box	1pc
f. Bottom	1pc

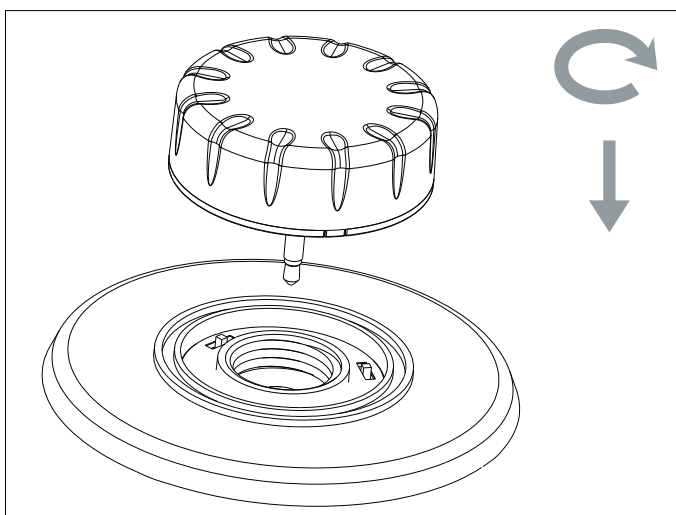
Expansion module installation



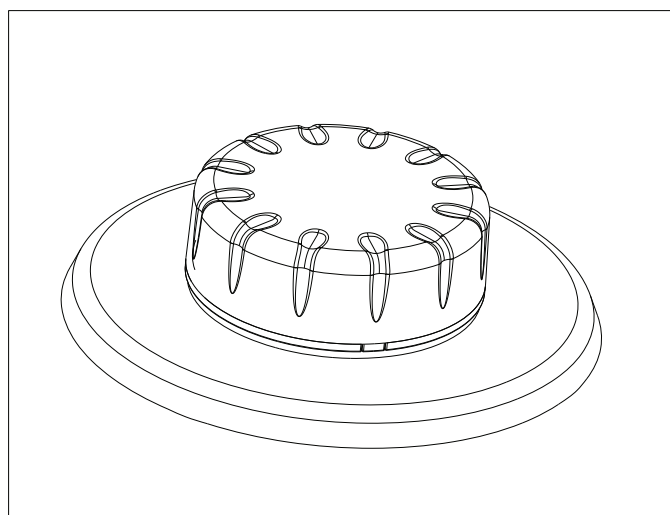
1. Remove sealing cover by turning counterclockwise



2. Please store the removed sealing cover for future use

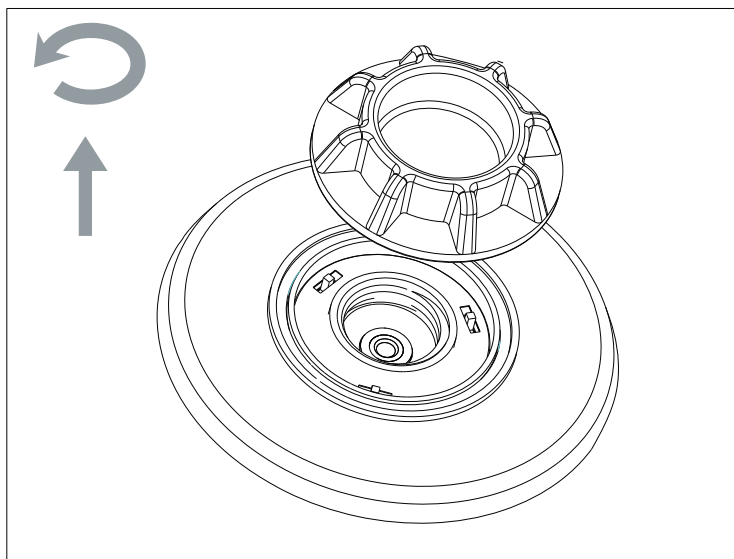


3. Install the sensor clockwise .

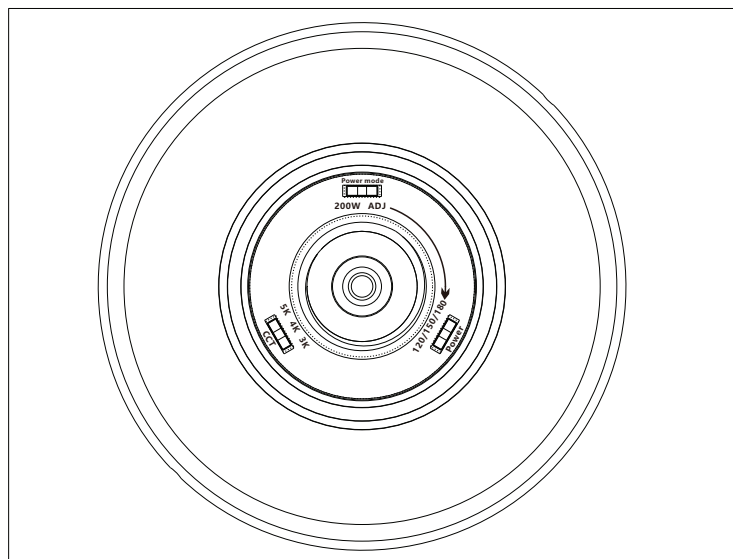


4. Tighten the sensor colckwise until it can't be rotated .

Dial setting



1. Remove sealing cover by turning counterclockwise

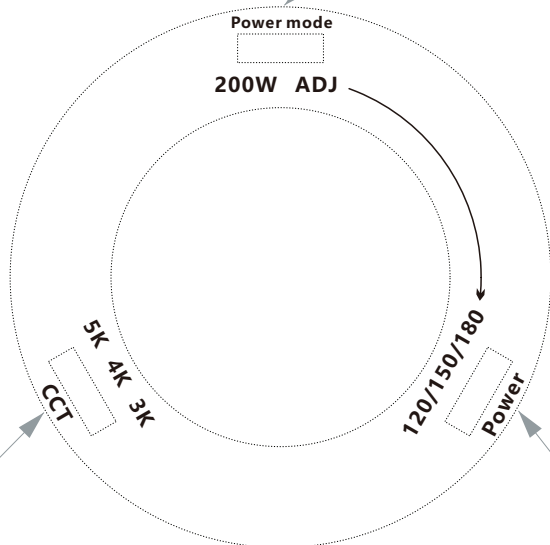


2. Restore the sealing cover after commissioning

Commissioning instructions

Optional Features

Set to 200=200W
 Maximum power mode, The power debugging dial is shielded and invalid
 Set to ADJ=Power adjustable mode



Optional Features

Set to 3K=3000K
 Set to 4K=4000K
 Set to 5K=5000K
 Other color temperatures can be selected

Optional Features

Set to 120=120W
 Set to 150=150W
 Set to 180=180W
 Any power option can be set within the rated range before leaving the factory

Installation requirements

1. Disconnect power supply, and read product instructions carefully;
2. Ensure installation accessories and installation environment conform to bearing requirement;
3. Check whether the installation accessories are damaged or not, and install accessories to lamp reliably;
4. Different installation environment match corresponding installation accessories, do not use or change at will;
5. If the installation fittings has auxiliary parts such as skidproof screw, notice how it works, please do not ignore it;
6. If the light is installed in vibration environment, please add anti-falling safety rope to ensure reliability of installation;
7. Connect power supply wire reliably according to specified polarity; I-type lamp with grounding line shall be earthed reliably and the connection points must have insulation measures;
8. When the installation is completed, check whether all parts is reliable and can work properly.

Notice

1. Please first read the product specification carefully, make sure the using environment conform to specification, then it can be used;
2. Please confirm the input voltage and frequency before use;
3. This product must be installed by professionals;
4. If there is any damage to the power wire or shell of the product, it shall be taken as defective product and do not use it;
5. Dangerous high voltage, non-professionals are not allowed to maintain the product;
6. If external soft cable or soft wire of the light is damaged, it shall be replaced by manufacturer or service agent or personnel with similar qualification to avoid danger;
7. Corrosivity in the using environment can't exceed the specified anti-corrosion grade, if you have special requirement, please first consult with our company.