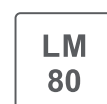
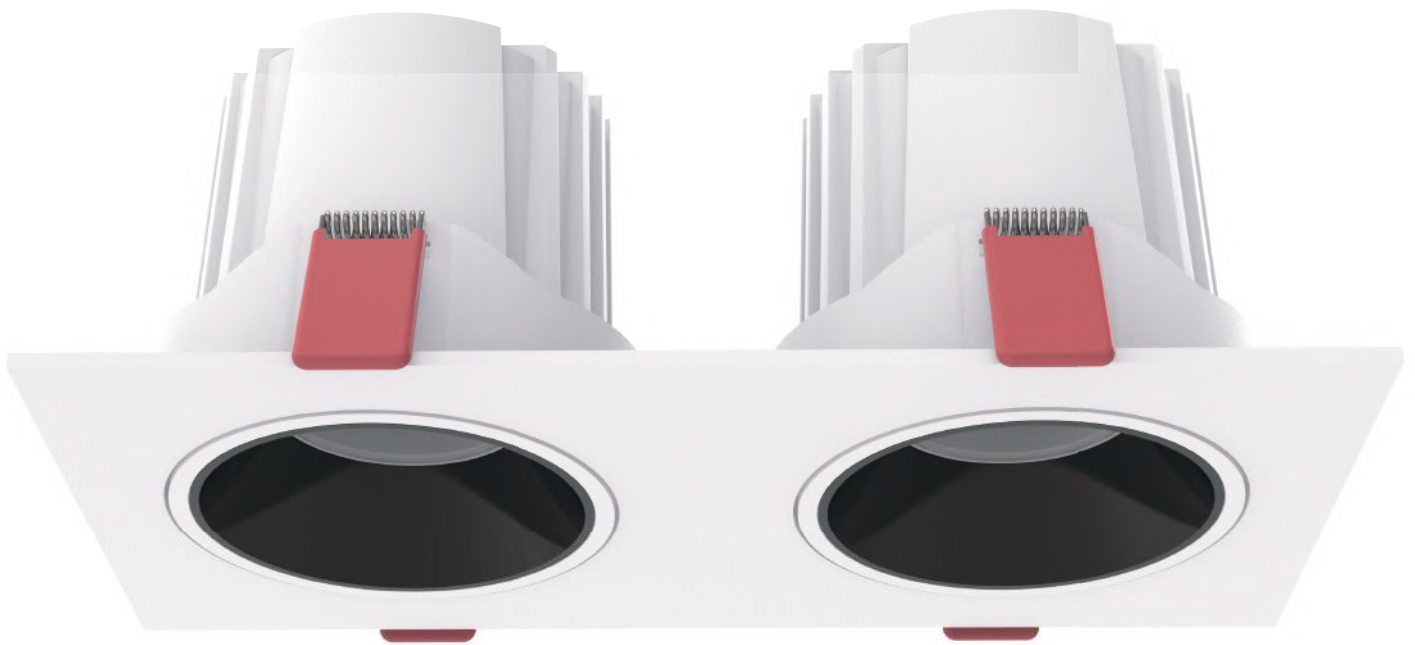


Economical ultra-thin downlight

CL107-75 / CL107-95



Features

- The main material of this product is aluminum alloy, and the main process is die-casting processing;
- The height of the product is only 29mm, ultra-thin and the surface is dusted;
- PC diffuser mask is adopted to give uniform light;
- The product heat dissipation is good, effectively ensure the long life of LED.
- Separate design of power supply and main body, which is more advantageous to ensure the life of power supply and LED.
- Energy-efficient LED drive power supply.

Application

- Mainly applicable in factories, hotels, home renovation, department stores and exhibition rooms, etc.

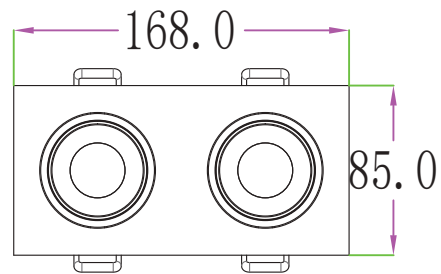
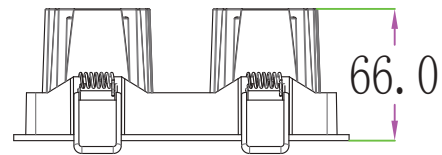


Technical parameters

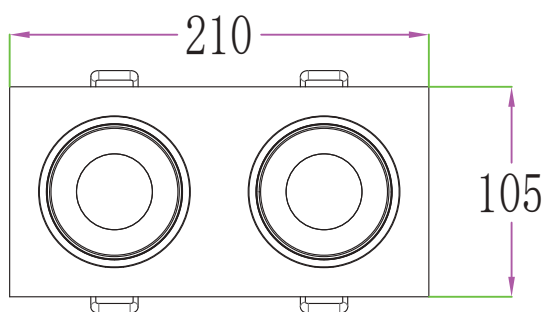
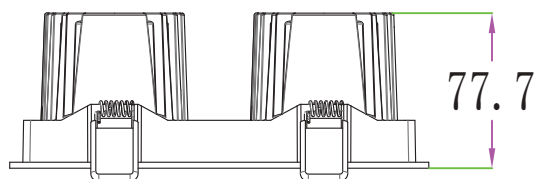
Model	CCT	Lumen (±10%)	Power	Size	Hole size	Beam angle	LED Type	Volatge	Frequency	CRI	PF
CL107-75-20W-30K-R90-2401	3000K	1762	20	L210*W85*H66	200*95	24° (15°/36°)	COB	AC220~240	50/60Hz	> 90	> 0.9
CL107-75-20W-40K-R90-2401	4000K	1860									
CL107-75-20W-50K-R90-2401	5000K	1857									
CL107-95-25W-30K-R90-2401	3000K	1839	25	L168*W85*H66	155*75						
CL107-95-25W-40K-R90-2401	4000K	2057									
CL107-95-25W-50K-R90-2401	5000K	2054									

Dimensions (unit: mm)

- CL107-75-20W-30K-R90-2401
- CL107-75-20W-40K-R90-2401
- CL107-75-20W-50K-R90-2401

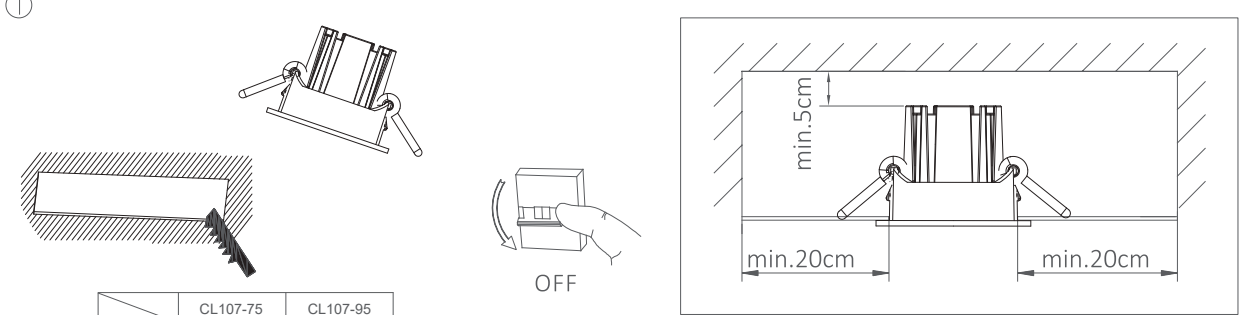


- CL107-95-25W-30K-R90-2401
- CL107-95-25W-40K-R90-2401
- CL107-95-25W-50K-R90-2401



Installation drawing

①



	CL107-75	CL107-95
Mounting Hole(Ø)	155*75	200*95

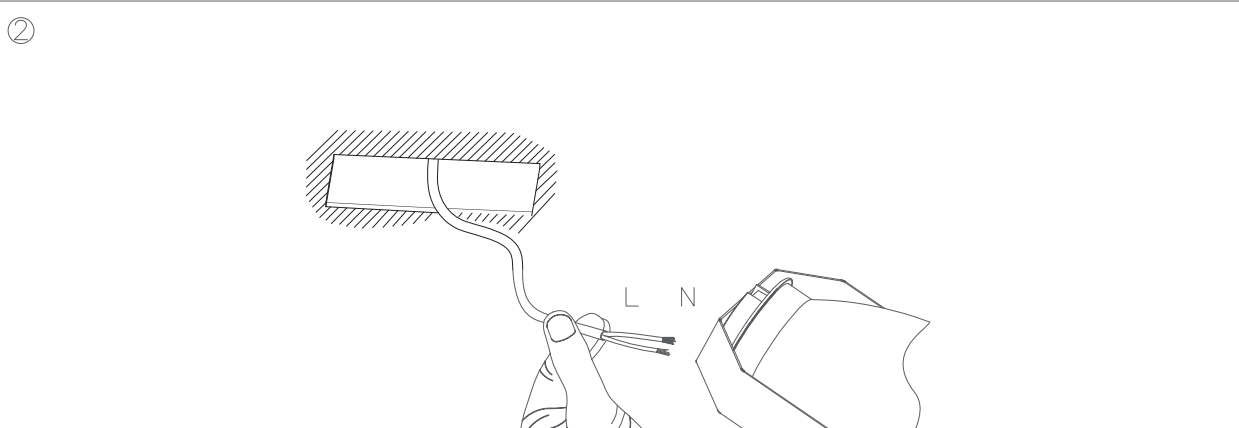
OFF

min.5cm

min.20cm

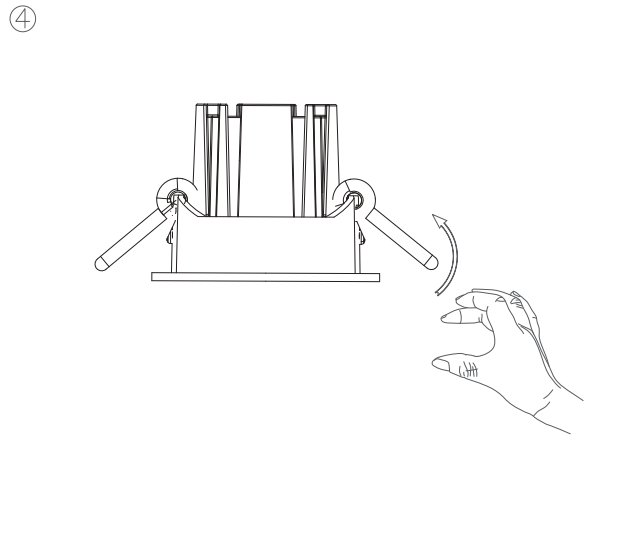
min.20cm

②

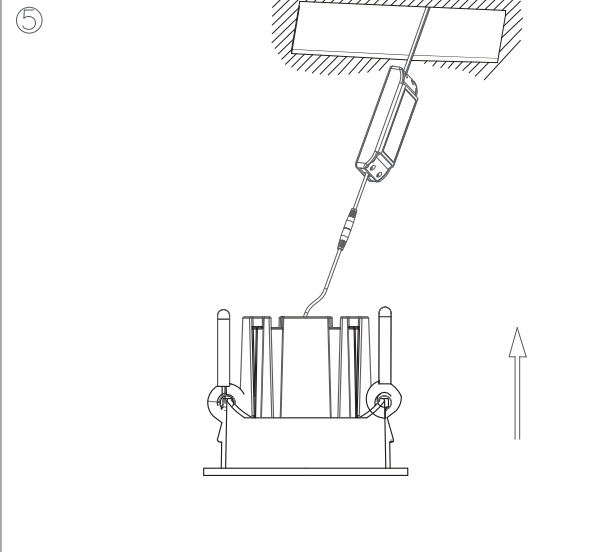


L N

④

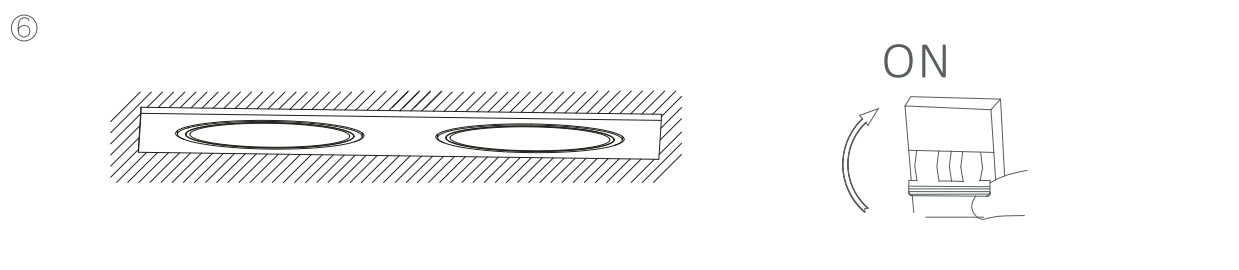


⑤

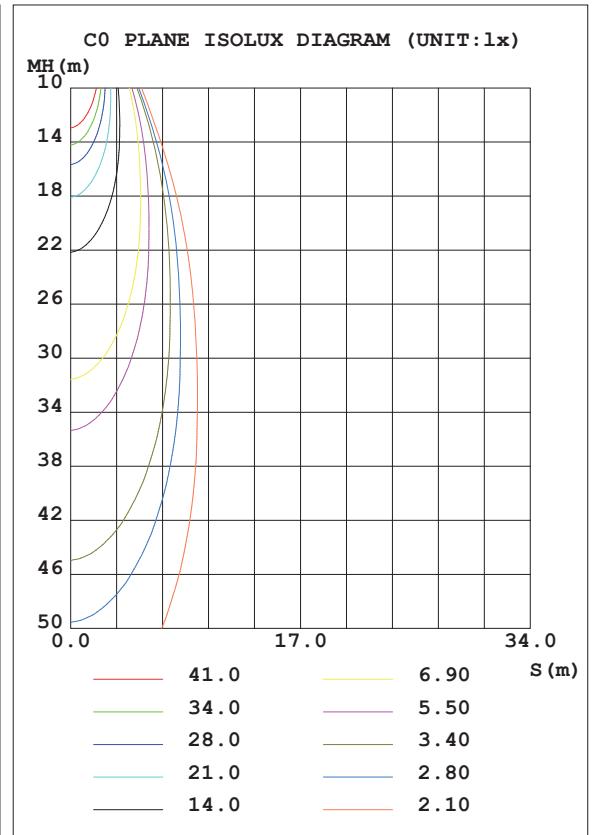
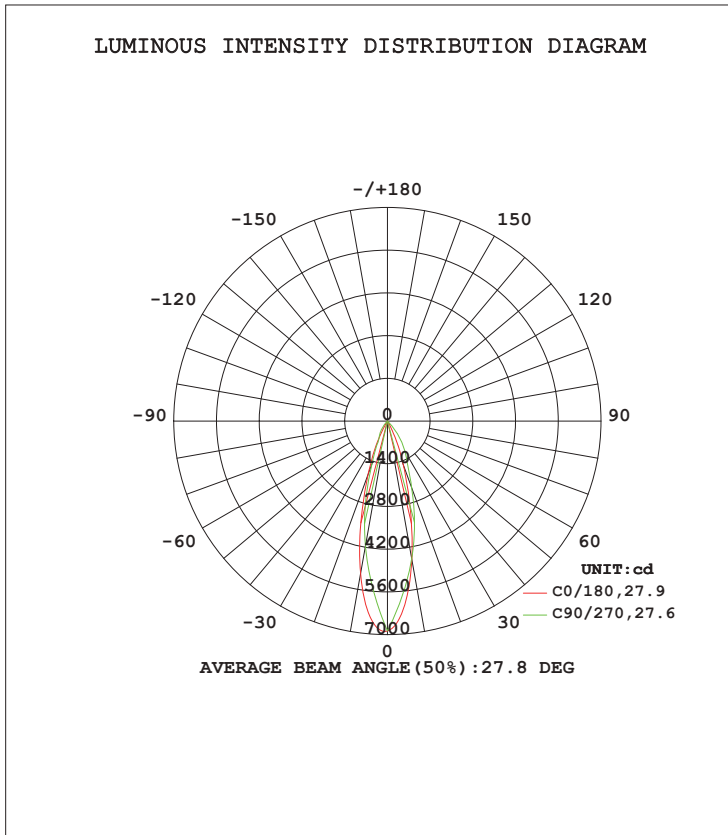


ON

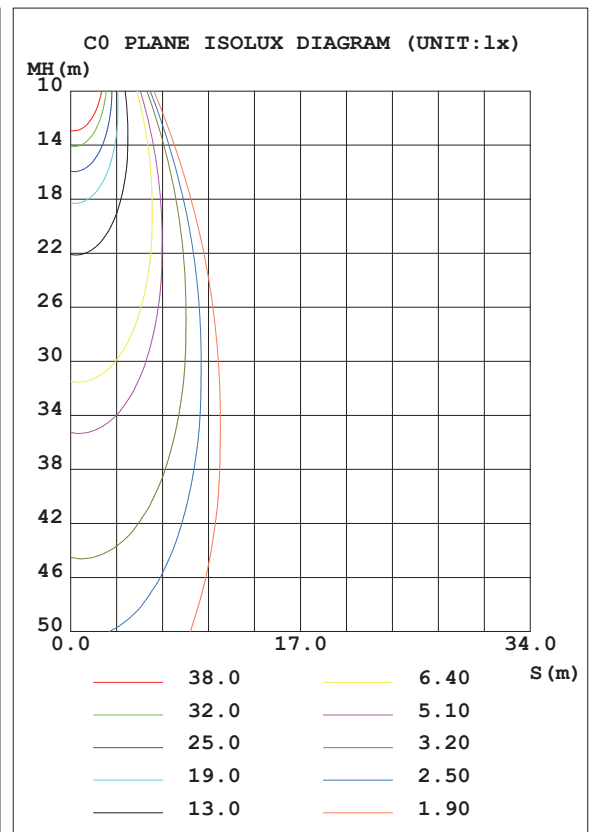
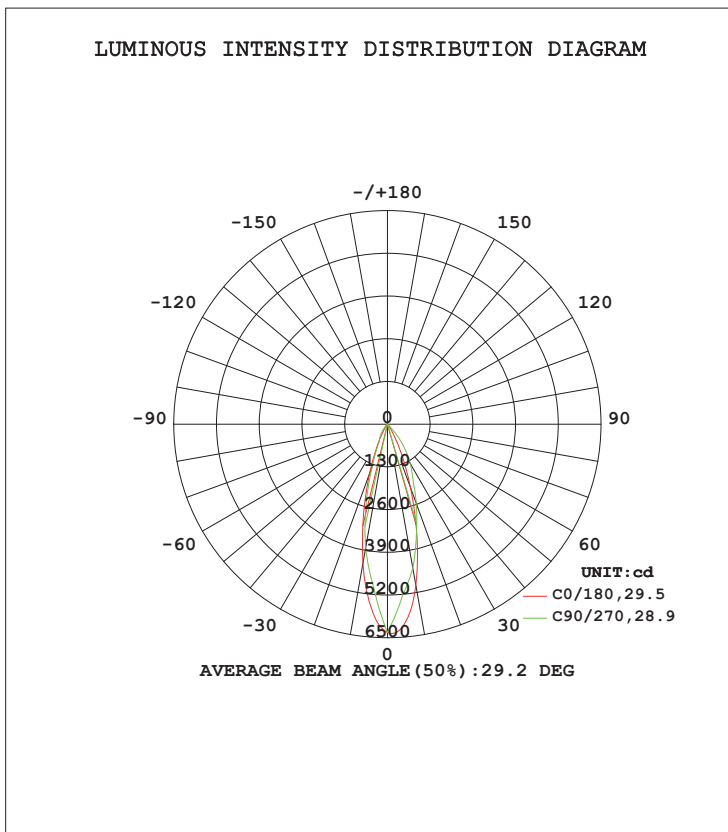
⑥



CL107-75-20W-40K-R90-2401



CL107-95-25W-40K-R90-2401



Packaging information

Model	Inner box dimension	Carton box dimension	Unit net weight	Packing qty.	Carton box gross weight
CL107-75	192*122*90mm	515*400*300mm	0.584KG	24PCS	16.7KG
CL107-95	220*150*100mm	475*460*430mm	0.831KG	24PCS	23.2KG

Notice



- Please read the product specification carefully first to confirm that the use environment is in line with the condition on the specification before it is used.
- Please confirm the applicable power supply before use.
- When the product is connected with power supply, ensure that the switch is at the disconnected state to prevent electric shock.
- Operation against the rules may destroy your articles, or even endanger your personal safety.
- Make preliminary calculation for the quantity of light and then calculate the total power according to frequency of single light. Design the power distribution scheme.
- Dangerous high voltage. Non professional personnel should not repair.
- If the external wire of the light is damaged, it should be replaced by manufacturer or service agent or personnel with similar qualification to avoid danger.
- Common sense for handling: avoid impact or press the product with heavy objects. Handle with care during the transportation and installation process.



Yijia Industrial Park, Fuqian Road, Guanlan Town, Longhua, Shenzhen, Guangdong, China

Tel:+86-755-27608650
 Fax:+86-755-27608651
www.signcomplex.com
sales@signcomplex.com