

Economical ultra-thin downlight

CL106-75 / CL106-95



Features

- The main material of this product is aluminum alloy, and the main process is die-casting processing;
- The height of the product is only 29mm, ultra-thin and the surface is dusted;
- PC diffuser mask is adopted to give uniform light;
- The product heat dissipation is good, effectively ensure the long life of LED.
- Separate design of power supply and main body, which is more advantageous to ensure the life of power supply and LED.
- Energy-efficient LED drive power supply.

Application

- Mainly applicable in factories, hotels, home renovation, department stores and exhibition rooms, etc.

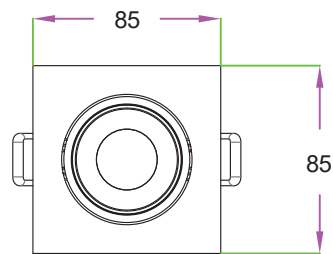
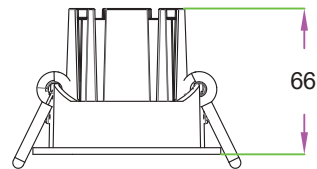


Technical parameters

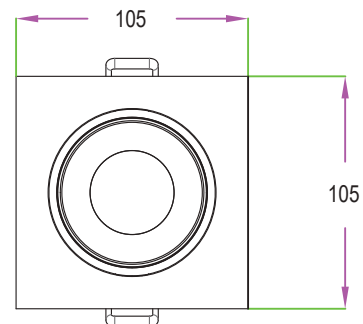
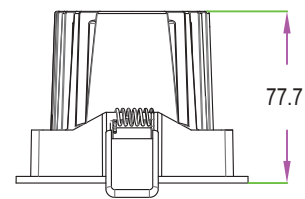
Model	CCT	Lumen (±10%)	Power	Size	Hole size	Beam angle	LED Type	Volatge	Frequency	CRI	PF
CL106-75-10W-30K-R90-2401	3000K	925	10	L85*W85*H66	φ75	24° (15° / 36°)	COB	AC220~240	50/60Hz	> 90	> 0.9
CL106-75-10W-40K-R90-2401	4000K	970									
CL106-75-10W-50K-R90-2401	5000K	989									
CL106-95-15W-30K-R90-2401	3000K	1165	15	L106*W106*H77.7	φ95						
CL106-95-15W-40K-R90-2401	4000K	1228									
CL106-95-15W-50K-R90-2401	5000K	1263									

Dimensions (unit: mm)

CL106-75-10W-30K-R90-2401
CL106-75-10W-40K-R90-2401
CL106-75-10W-50K-R90-2401

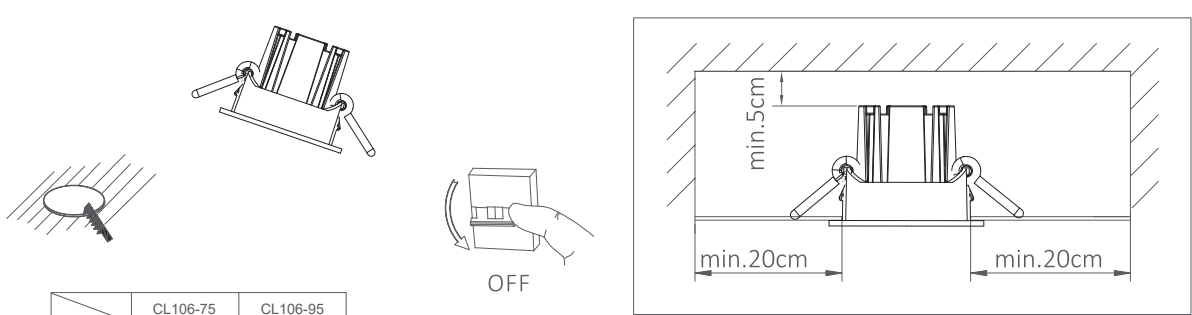


CL106-95-15W-30K-R90-2401
CL106-95-15W-40K-R90-2401
CL106-95-15W-50K-R90-2401



Installation drawing

①



	CL106-75	CL106-95
Mounting Hole(Ø)	75mm	95mm

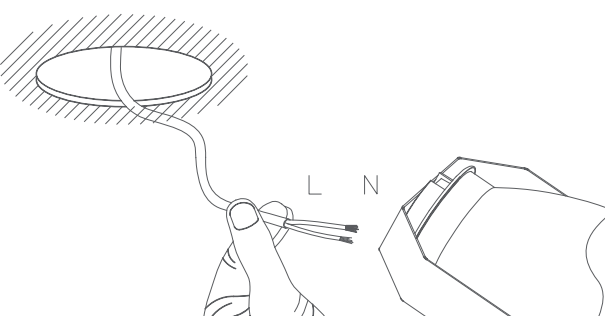
OFF

min.5cm

min.20cm

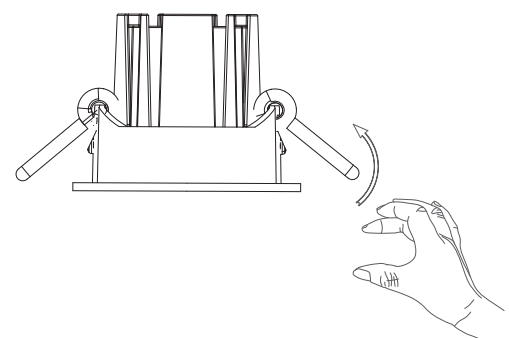
min.20cm

②

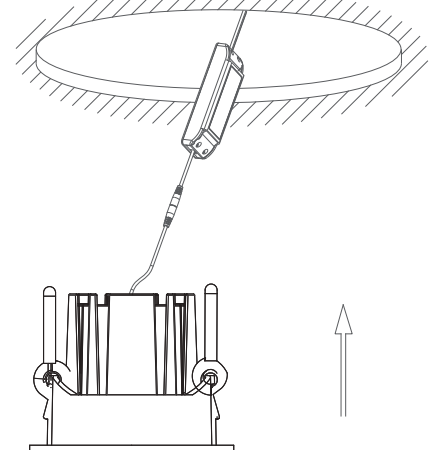


L N

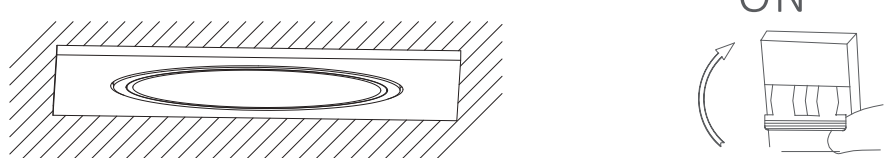
④



⑤

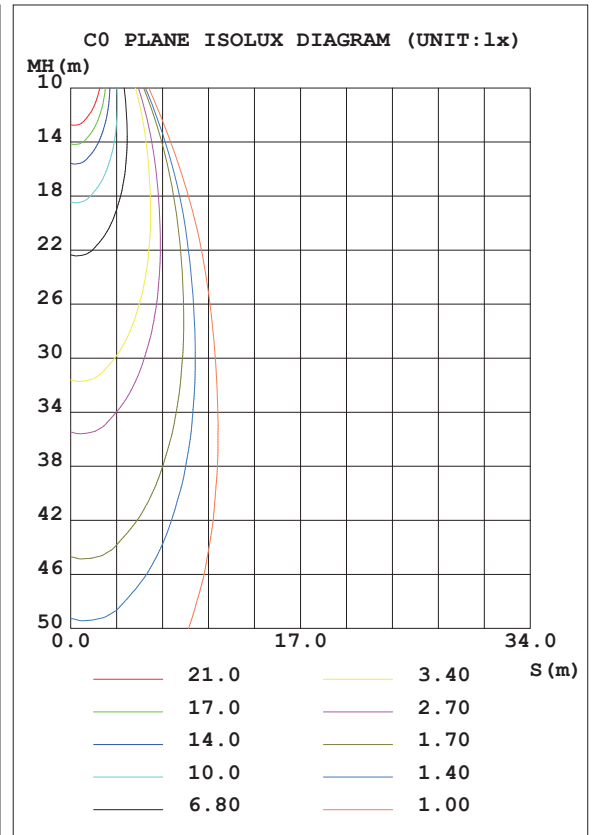
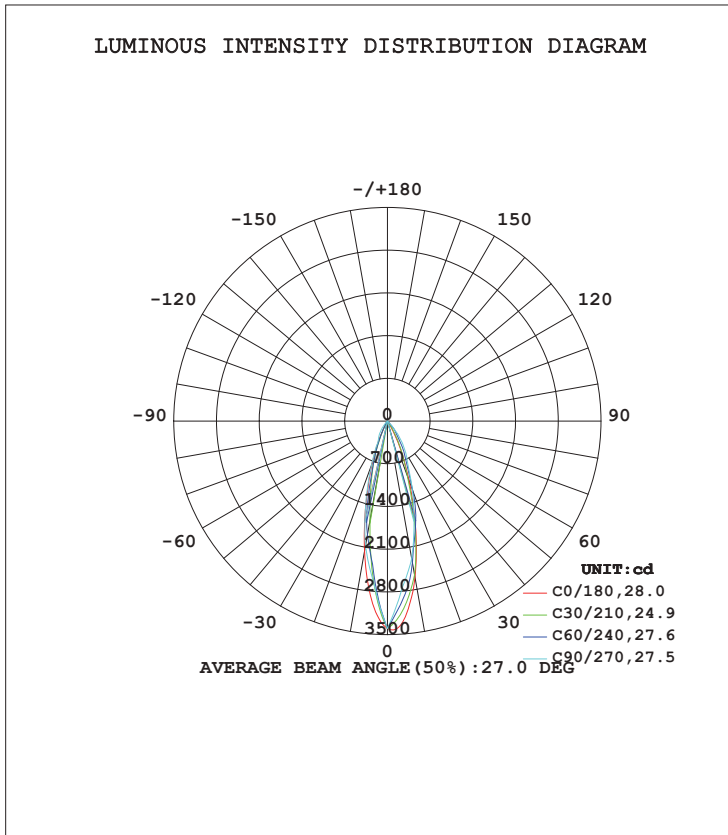


⑥

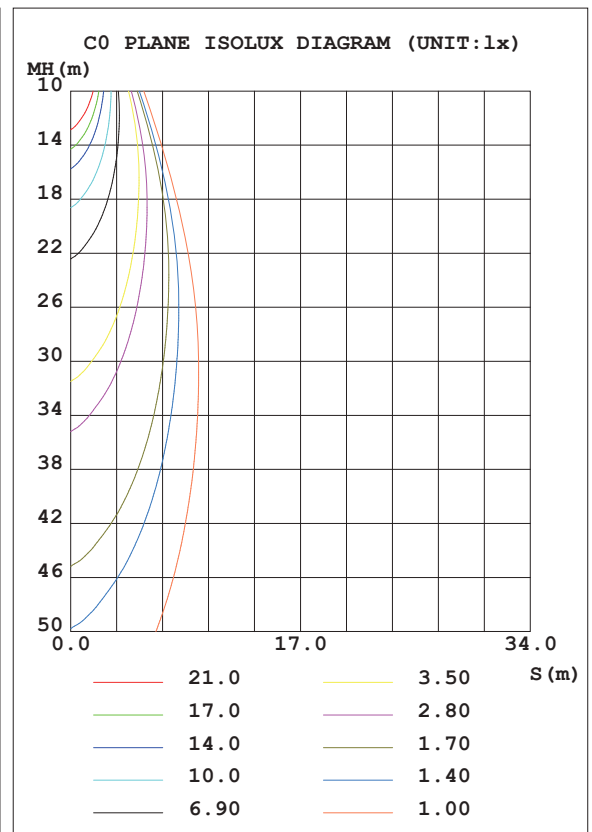
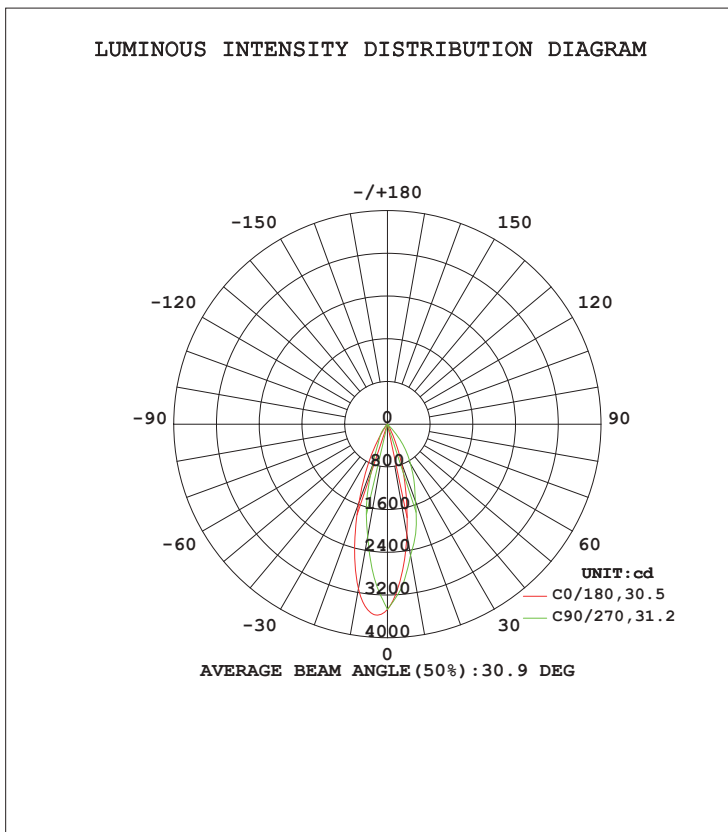


ON

CL106-75-10W-40K-R90-2401



CL106-95-15W-40K-R90-2401



Packaging information

Model	Inner box dimension	Carton box dimension	Unit net weight	Packing qty.	Carton box gross weight
CL106-75	130*100*90mm	540*520*305mm	0.32KG	60PCS	22.5KG
CL106-95	130*125*93mm	540*520*305mm	0.44KG	48PCS	24.5KG

Notice



- Please read the product specification carefully first to confirm that the use environment is in line with the condition on the specification before it is used.
- Please confirm the applicable power supply before use.
- When the product is connected with power supply, ensure that the switch is at the disconnected state to prevent electric shock.
- Operation against the rules may destroy your articles, or even endanger your personal safety.
- Make preliminary calculation for the quantity of light and then calculate the total power according to frequency of single light. Design the power distribution scheme.
- Dangerous high voltage. Non professional personnel should not repair.
- If the external wire of the light is damaged, it should be replaced by manufacturer or service agent or personnel with similar qualification to avoid danger.
- Common sense for handling: avoid impact or press the product with heavy objects. Handle with care during the transportation and installation process.



Yijia Industrial Park, Fuqian Road, Guanlan Town, Longhua, Shenzhen, Guangdong, China

Tel:+86-755-27608650
 Fax:+86-755-27608651
www.signcomplex.com
sales@signcomplex.com