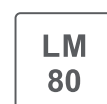


Economical ultra-thin downlight

CL105-75 / CL105-95



Features

- The main material of this product is aluminum alloy, and the main process is die-casting processing;
- The height of the product is only 29mm, ultra-thin and the surface is dusted;
- PC diffuser mask is adopted to give uniform light;
- The product heat dissipation is good, effectively ensure the long life of LED.
- Separate design of power supply and main body, which is more advantageous to ensure the life of power supply and LED.
- Energy-efficient LED drive power supply.

Application

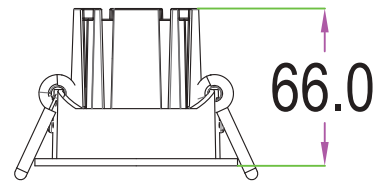
- Mainly applicable in factories, hotels, home renovation, department stores and exhibition rooms, etc.



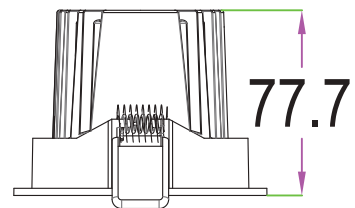
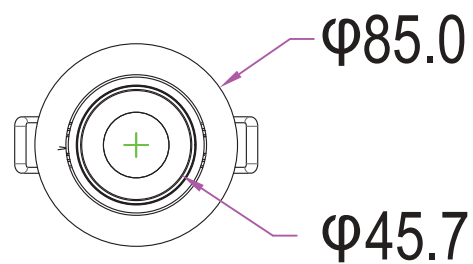
Technical parameters

| Model | CCT | Lumen (±10%) | Power | Size | Hole size | Beam angle | LED Type | Volatge | Frequency | CRI | PF |
|---------------------------|-------|--------------|-------|------------|-----------|------------------|----------|-----------|-----------|------|-------|
| CL105-75-10W-30K-R90-2401 | 3000K | 946 | 10 | φ85*H66 | φ75 | 24° (15°/36°) | COB | AC220~240 | 50/60Hz | > 90 | > 0.9 |
| CL105-75-10W-40K-R90-2401 | 4000K | 971 | | | | | | | | | |
| CL105-75-10W-50K-R90-2401 | 5000K | 979 | | | | | | | | | |
| CL105-95-15W-30K-R90-2401 | 3000K | 1220 | 15 | φ106*H77.7 | φ95 | | | | | | |
| CL105-95-15W-40K-R90-2401 | 4000K | 1275 | | | | | | | | | |
| CL105-95-15W-50K-R90-2401 | 5000K | 1293 | | | | | | | | | |

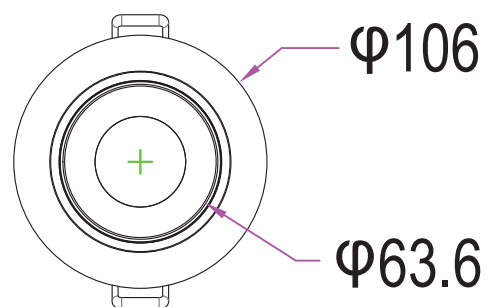
Dimensions (unit: mm)



- CL105-75-10W-30K-R90-2401
- CL105-75-10W-40K-R90-2401
- CL105-75-10W-50K-R90-2401

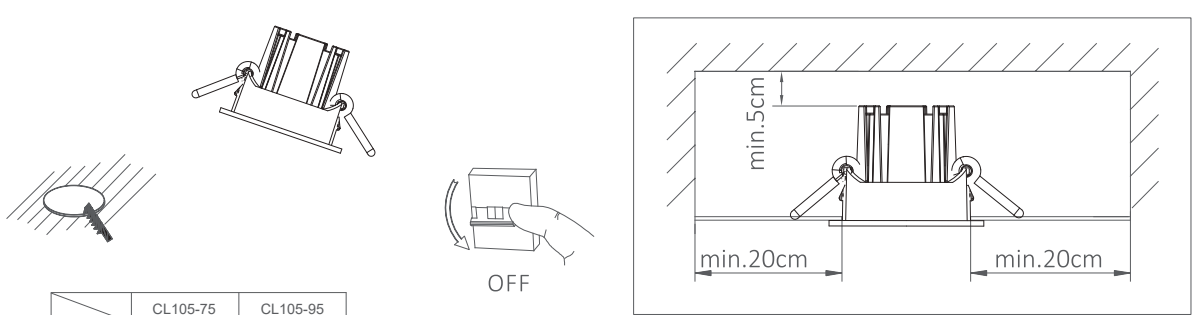


- CL105-95-15W-30K-R90-2401
- CL105-95-15W-40K-R90-2401
- CL105-95-15W-50K-R90-2401



Installation drawing

①



| | | |
|------------------|----------|----------|
| | CL105-75 | CL105-95 |
| Mounting Hole(Ø) | 75mm | 95mm |

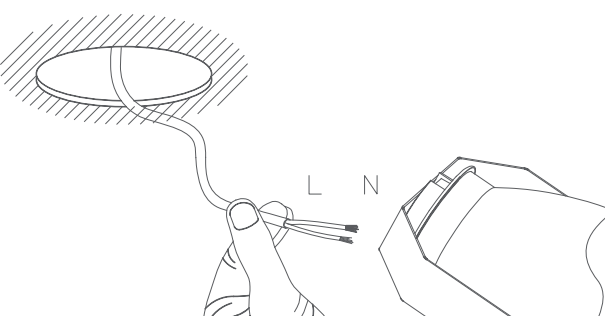
min.5cm

min.20cm

min.20cm

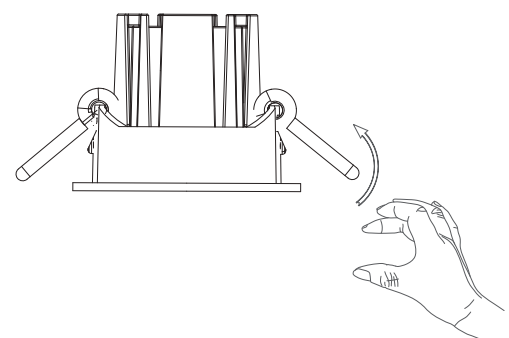
OFF

②

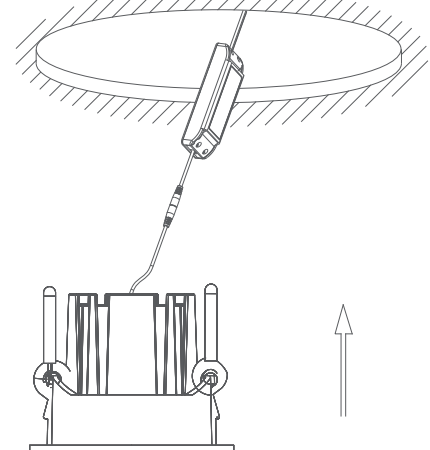


L N

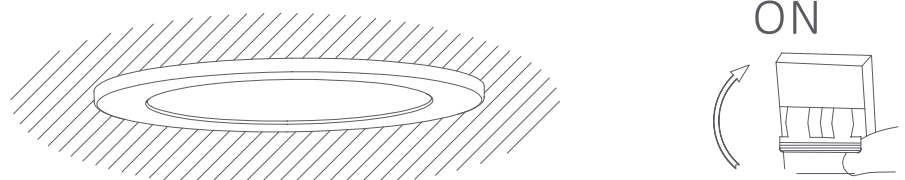
④



⑤

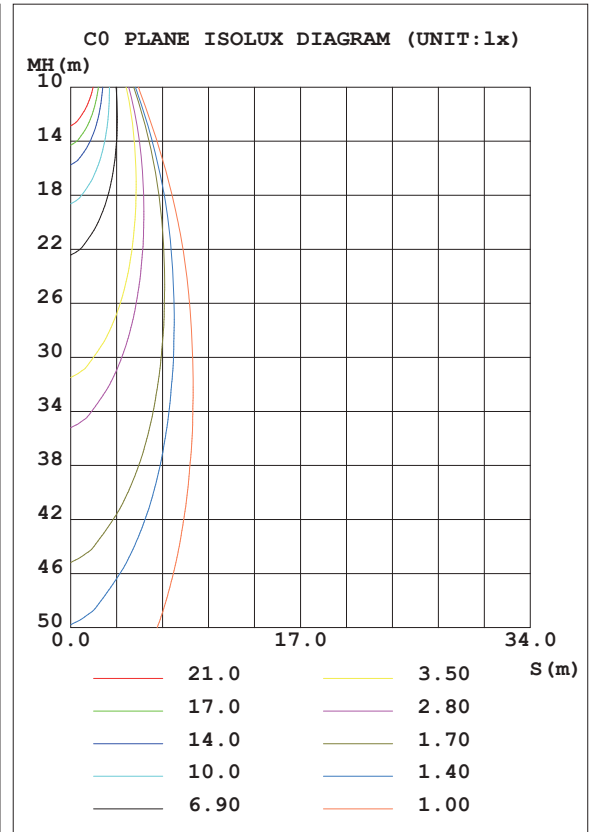
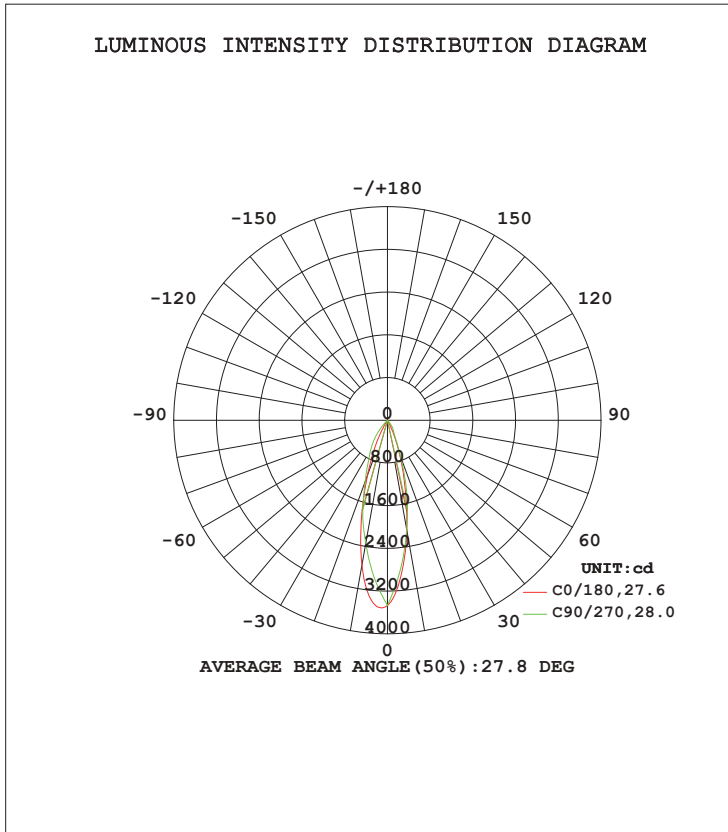


⑥

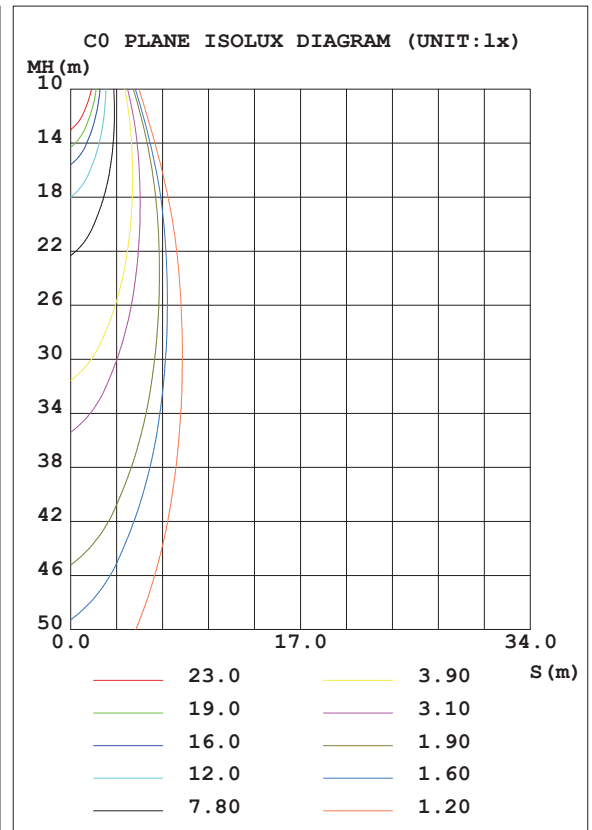
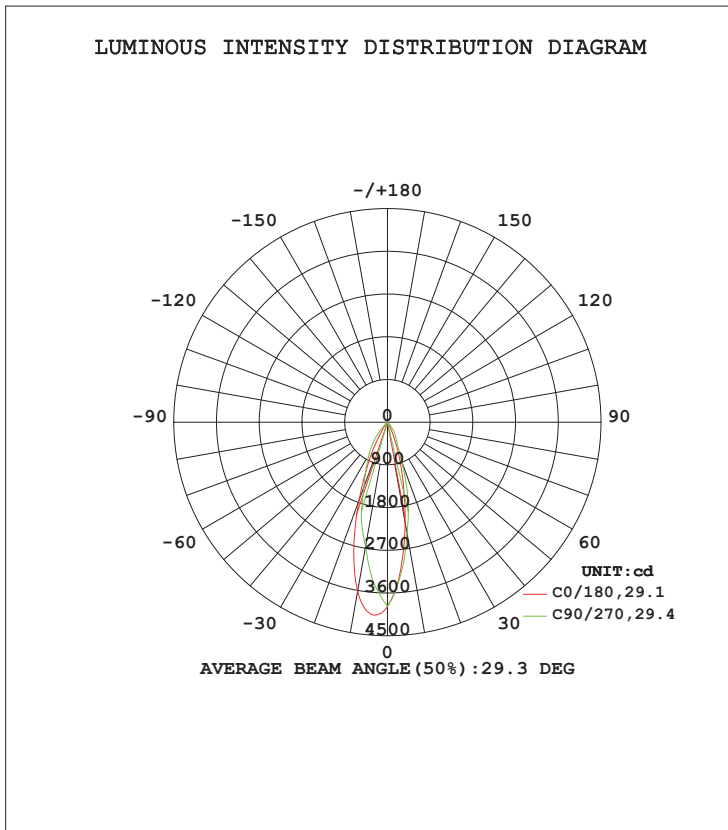


ON

CL105-75-10W-40K-R90-2401



CL105-95-15W-40K-R90-2401



Packaging information

| Model | Inner box dimension | Carton box dimension | Unit net weight | Packing qty. | Carton box gross weight |
|-----------------|---------------------|----------------------|-----------------|--------------|-------------------------|
| CL105-75 | 130*100*90mm | 540*520*305mm | 0.31KG | 60 | 21.9KG |
| CL105-95 | 130*125*93mm | 540*520*305mm | 0.42KG | 48 | 23.6KG |

Notice



- Please read the product specification carefully first to confirm that the use environment is in line with the condition on the specification before it is used.
- Please confirm the applicable power supply before use.
- When the product is connected with power supply, ensure that the switch is at the disconnected state to prevent electric shock.
- Operation against the rules may destroy your articles, or even endanger your personal safety.
- Make preliminary calculation for the quantity of light and then calculate the total power according to frequency of single light. Design the power distribution scheme.
- Dangerous high voltage. Non professional personnel should not repair.
- If the external wire of the light is damaged, it should be replaced by manufacturer or service agent or personnel with similar qualification to avoid danger.
- Common sense for handling: avoid impact or press the product with heavy objects. Handle with care during the transportation and installation process.



Yijia Industrial Park, Fuqian Road, Guanlan Town, Longhua, Shenzhen, Guangdong, China

Tel:+86-755-27608650
 Fax:+86-755-27608651
www.signcomplex.com
sales@signcomplex.com