

SEC LED Motion Security Lights



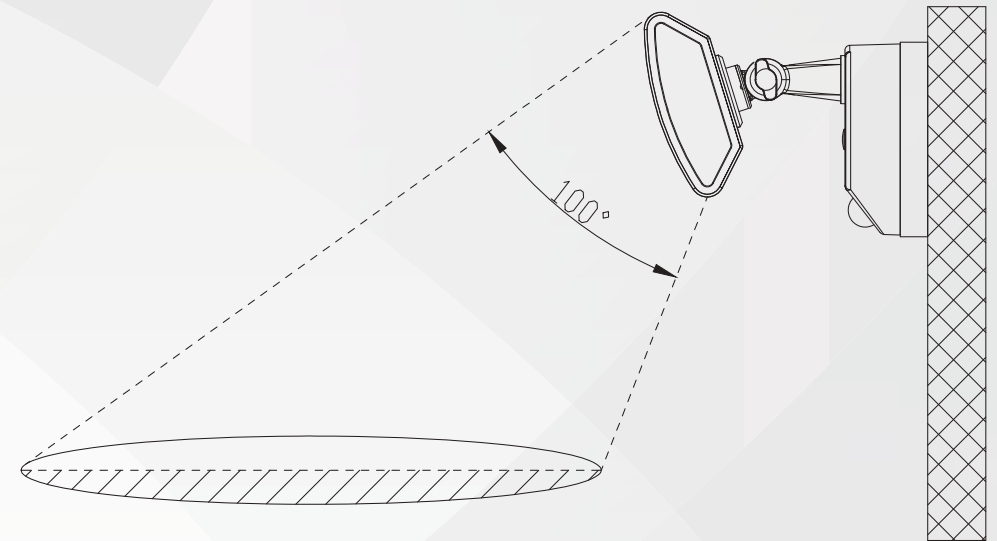
Functional description

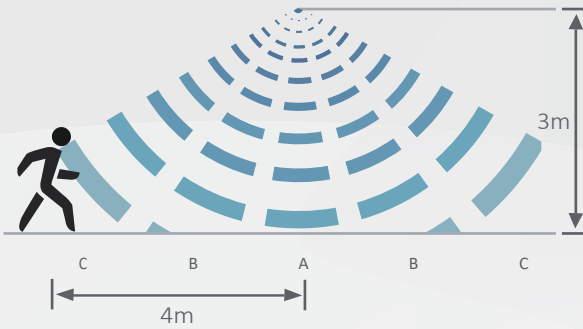
- ◆ The LED safety light uses a bright light-emitting diode light source. It matches a PIR infrared sensor with a maximum detection distance of 40ft. When the brightness is lower than 30LUX, it automatically senses the movement of people or objects and lights up.



Description

- ◆ The LED floodlight angle is 100 degrees, and the farthest illumination distance can reach 15m. The floodlight angle can be adjusted up and down manually.





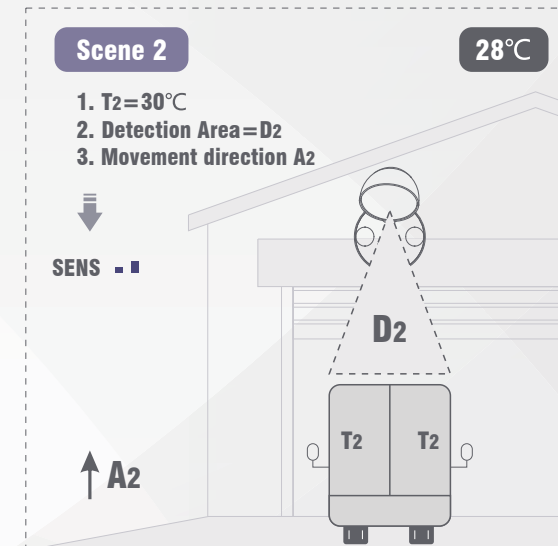
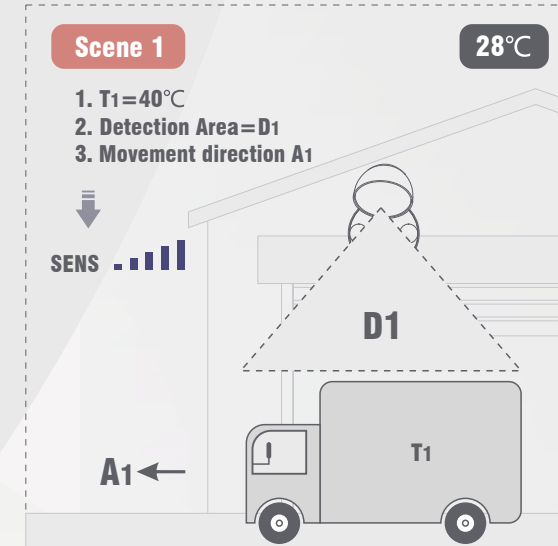
Working Voltage	Ac100-277V
PIR Frequency	XX
PIR Power	DC 3.3V
Detection Angle	120
Detection Range	Max.(D*H)4m*3m
Detection Speed	XX

◆ Factors related to sensitivity

The relation of the sensor to the ambient temperature: the greater the temperature differences between sensor and ambient temperature, the higher the sensitivity.

The relation of the sensor to the infrared radiation surface area of the detected object: the greater the infrared radiation surface area, the higher the sensitivity.

The relation of the sensor to the movement direction of the detected object: if the detected object moves tangentially when passing the sensor, it gets to the maximum sensitivity. But it gets to the lowest sensitivity when the detected object moves directly towards sensor.



Function

1 Pivoting arm allows directional lighting.



High quality SMD2835 LEDs with uniform illumination

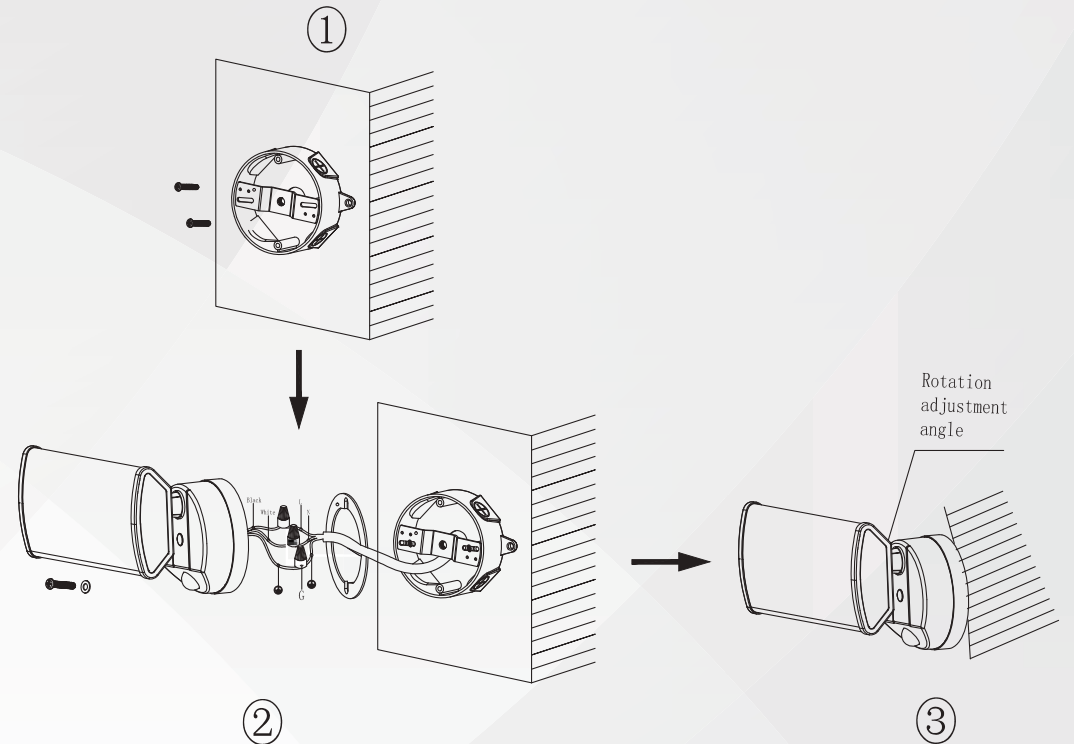
Non-isolated drive, PF>0.9, energy-efficient

Technical parameters

Model	Power	Lumen	LED Type/Qty	CCT	Lighting effect	CRI	Beam angle	Detection distance	Input voltage
SEC401S-30W-30K-R80-0001	30W	3000lm	SMD2835 144PCS	3000K	100°	≥80	120°	Max. 8-10m	100-277V 50/60Hz
SEC401S-30W-40K-R80-0001		3200lm		4000K					
SEC401S-30W-50K-R80-0001		3400lm		5000K					

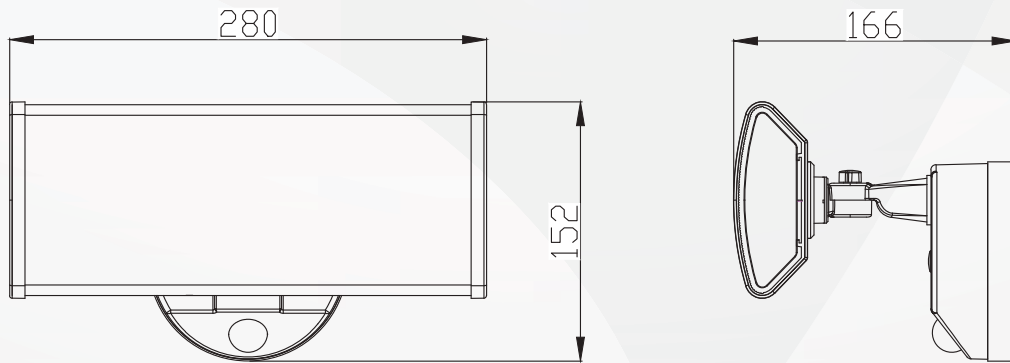
◆ 01 for white, 02 for black

Installation diagram

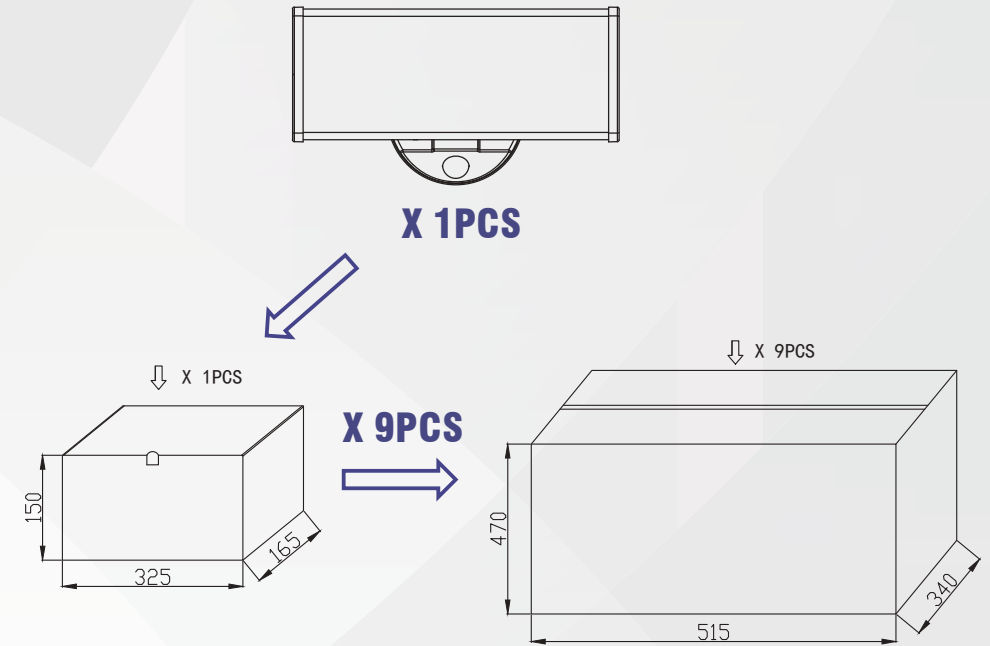


Dimensions (unit: mm)

SEC401S-30W-30K/40K/50K-R80-0001



Packaging information 1

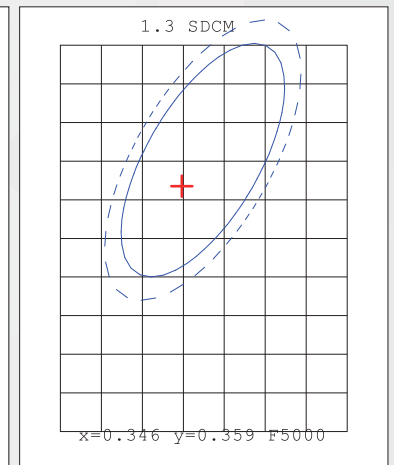
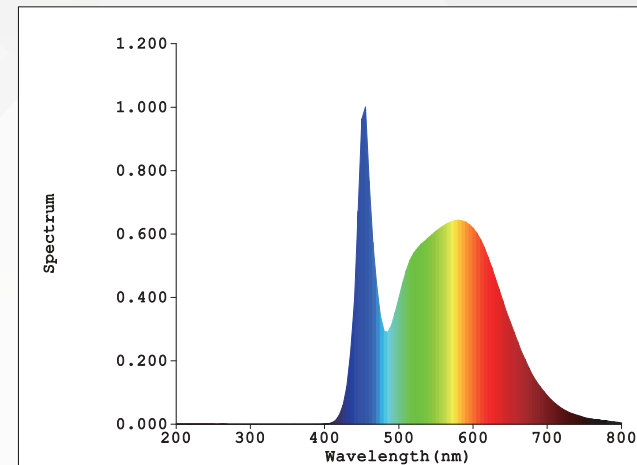
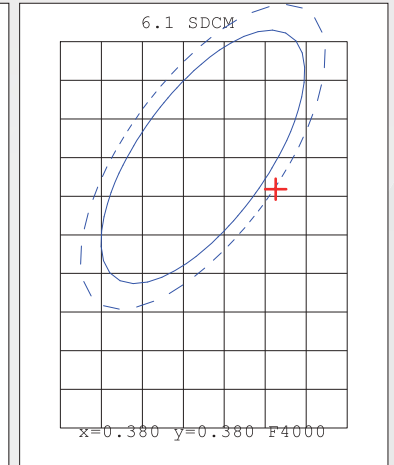
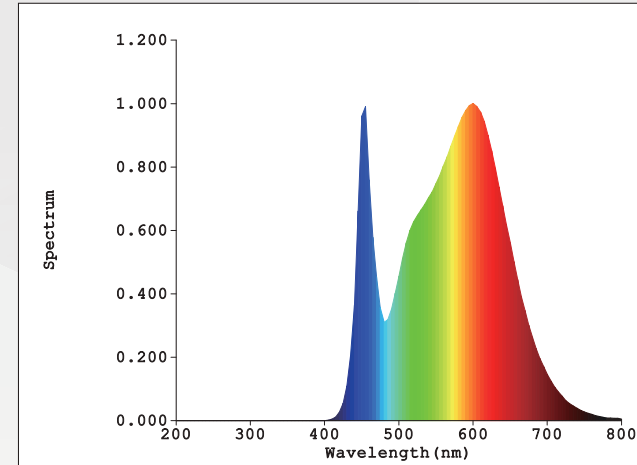
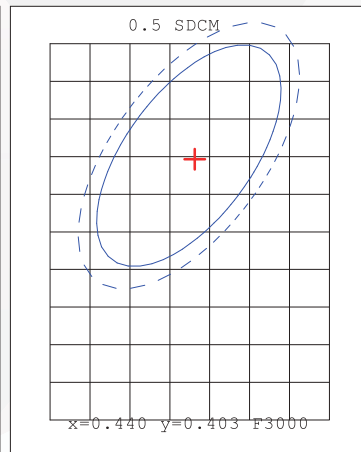
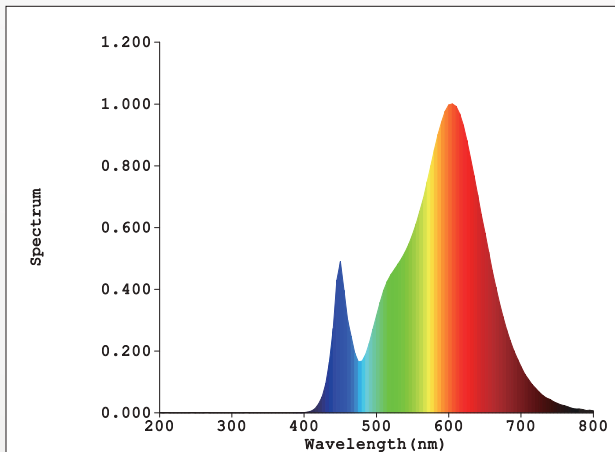


Packaging information (Details)

Product type	SEC401S-30W-30K/40K/50K-R80-0001
Color box size	315x185x225mm
Carton size	585x335x470mm
Net weight	0.5kg
weight of single package	0.8kg
weight of whole case	9kg
Container quantity	20-inch container 2040PCS
	40-inch container 4260PCS
	40-inch high container 4860PCS

Test report

◆ Mode: CCT security light in black



Application

Widely used in the retail market, small supermarket, storeroom, library, courtyard and so on, for corridor sidewall and porch lighting and video monitoring



Notice



◆ Warning: Attention electric shock

Before the lamp is connected with the power supply, please cut off the fuse or air breaker; ensure that the input voltage is within the correct and reasonable scope and connect the lamp with the power supply of 100-277V 50/60HZ; ensure that the connection of wire and grounding wire conforms to national electric standard and local applicable specification requirement. All connection of wire must use connection terminals in line with UL certification.

◆ Warning: Attention to cauma

Take the lamp from the box. Wear the gloves and protective glasses for debugging and repair during installation. When the lamp is on, don't stare at the light source with eyes directly. As LED is very bright, you should not stare at LED at any circumstance. Otherwise, irreparable injury may be produced to your eyes. Please let the lamp cool before touching it. Don't touch the lampshade or light source. The input power should not exceed the maximum power indicated on the lamp label.

◆ Warning: Attention to fire

The inflammable and combustibles should be away from the light source and light lens.