

Manta solar street light

SLMA-020/040/060/080/100-DX-30K/40K/60K-DYYYY



Description

Manta solar street light adopts monocrystalline silicon integrated structure design, with independent installation of battery, controller and light emitting module; The luminous module can be adjusted horizontally and vertically to an angle of 45 degrees or more, which can be used for different angles of illumination; The mounting bracket can realize the fine adjustment of the elevation angle. The light distribution angle of the lamp includes 60 ° / 90 ° / Type II /Type III. The product is intelligently controlled and regulated, safe, reliable and stable in all applications to achieve energy saving and environmental protection.

Application

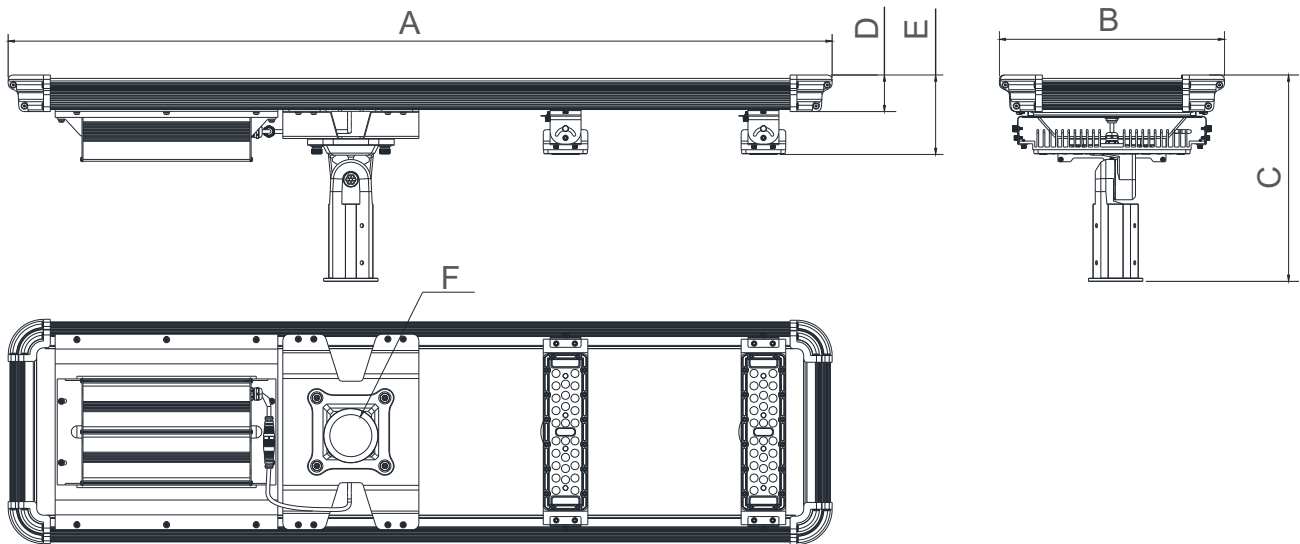
- It is widely used for road lighting in urban and rural areas and remote mountainous areas. It can also be used for outdoor advertising projection lighting and courtyard area lighting.



Features

- The angle of the light head is adjustable in horizontal and vertical directions, and can be used for roads in any direction (S-shaped & Z-shaped);
- Ultra high brightness brand LED, professional optical design, high transmittance and uniform light distribution, light efficiency > 190Lm/W;
- Monocrystalline silicon photovoltaic panels, conversion efficiency is more than 21% and 10-year life attenuation < 10%;
- LiFePO4 power grade battery pack, safe and stable;
- The use of MPPT can better deal with complex climate change and has higher conversion efficiency;
- Integrated optical and time control, dual start and stop standards, which can more accurately identify start and stop conditions, high efficiency and energy saving;
- Modular design of light source and battery module, easy to maintain and reduce transportation costs;
- The working time limit can be maintained for more than 3 rainy days;
- IP65 protection grade, which can be used at 0 ° C ~ + 60 ° C.

Dimensions(Unit: mm/inch)



Identification	20W	40W	60W	80W	100W
A	887mm,34.93"	1127mm,44.37"	1332mm,52.44"	1669mm,65.7"	1829mm,72"
B	364mm,14.33"	364mm,14.33"	364mm,14.33"	364mm,14.33"	364mm,14.33"
C	334mm,13.15"	334mm,13.15"	334mm,13.15"	334mm,13.15"	334mm,13.15"
D	59mm,2.3"	59mm,2.3"	59mm,2.3"	59mm,2.3"	59mm,2.3"
E	130mm,5.12"	130mm,5.12"	130mm,5.12"	130mm,5.12"	130mm,5.12"
F	68mm,2.7"	68mm,2.7"	68mm,2.7"	68mm,2.7"	68mm,2.7"

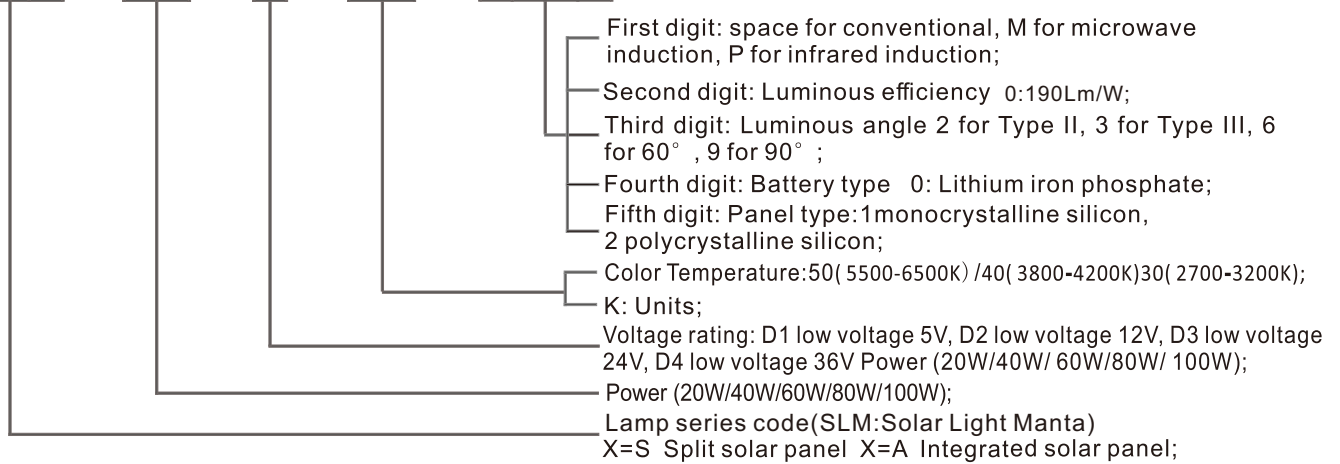
- No induction function above 60W

Technical Parameters

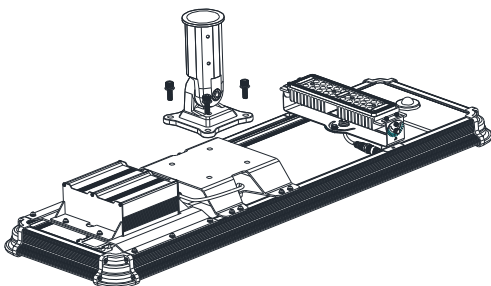
Model	CCT	Lumen (±10%)	LEDs type CRI	Power(W) (±10%)	PV panel power	Battery spec
SLMA-020-D2-60K-ZYYYY	5500-6500K	4300	SMD5050 Ra≥70	20	40W	LifePo4 153Wh
SLMA-020-D2-40K-ZYYYY	3800-4200K	3280				
SLMA-020-D2-30K-ZYYYY	2700-3200K	3800				
SLMA-040-D2-60K-ZYYYY	5500-6500K	8500	SMD5050 Ra≥70	40	60W	LifePo4 307Wh
SLMA-040-D2-40K-ZYYYY	3800-4200K	8450				
SLMA-040-D2-30K-ZYYYY	2700-3200K	7800				
SLMA-060-D2-60K-ZYYYY	5500-6500K	11500	SMD5050 Ra≥70	60	90W	LifePo4 460Wh
SLMA-060-D2-40K-ZYYYY	3800-4200K	11000				
SLMA-060-D2-30K-ZYYYY	2700-3200K	10200				
SLMA-080-D3-60K-ZYYYY	5500-6500K	15200	SMD5050 Ra≥70	80	100W	LifePo4 614Wh
SLMA-080-D3-40K-ZYYYY	3800-4200K	15100				
SLMA-080-D3-30K-ZYYYY	2700-3200K	13700				
SLMA-100-D3-60K-ZYYYY	5500-6500K	19000	SMD5050 Ra≥70	100	120W	LifePo4 768Wh
SLMA-100-D3-40K-ZYYYY	3800-4200K	18500				
SLMA-100-D3-30K-ZYYYY	2700-3200K	17200				

Coding principle

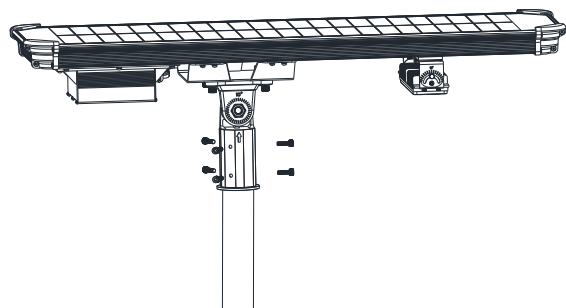
S L M A - X X X - X X - X X K - D Y Y Y Y



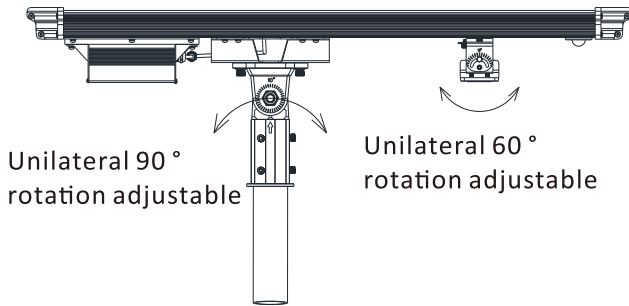
Installation Drawing



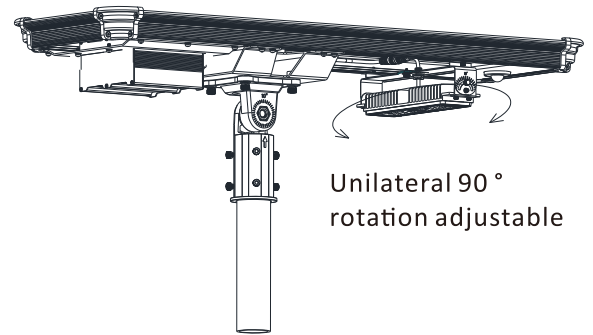
1. Install the fix bracket;



2. Fix the lamp into the pole and fix it with screws;
(Only suitable for 60mm diameter pole.)

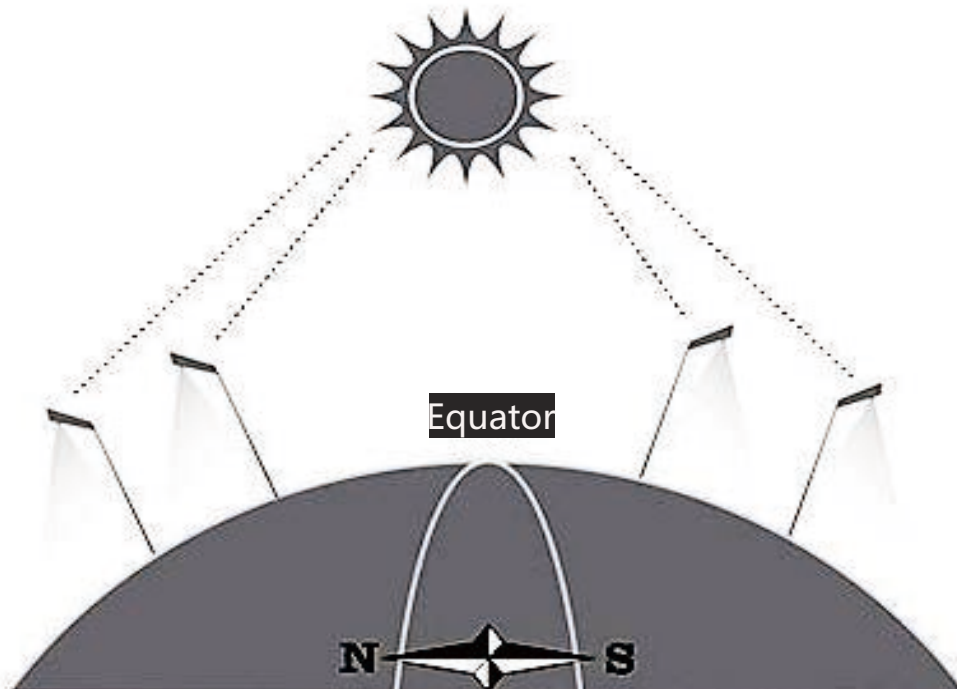


3. Adjust the angle of the photovoltaic panel and the horizontal angle of the light-emitting module;



4. Adjust the vertical angle of the light-emitting module;

If the lamp is installed in the northern hemisphere, the solar panel should face south as much as possible during installation, and if it is in the southern hemisphere, the solar panel should face north during installation. The product is only suitable for the installation of light poles with the specified diameter, and cannot be replaced by other sizes, otherwise it may affect the reliability of the product installation. The product installation should have a certain elevation angle, please do not install it horizontally or vertically.



Packaging Information

Dimension	Outer Packing Size	Net Weight	Gross Weight	Qty
20W	965x450x285mm	7.5Kg	9Kg	1pc/box
40W	1205x450x225mm	9.5Kg	11Kg	1pc/box
60W	1410x450x225mm	12.5Kg	14Kg	1pc/box
80W	1745x450x225mm	14Kg	16Kg	1pc/box
100W	1905x450x225mm	16.5Kg	18Kg	1pc/box

Installation Requirement

- Only suitable for 60mm diameter pole ;
- Please read the manual carefully to understand the precautions and installation requirements;
- Please read the manual carefully to understand the precautions and installation requirements;
- Check whether the delivered installation parts are damaged, and install them on the lamp reliably;
- Different installation accessories correspond to different installation environments, please do not use or modify at will;
- If the installation accessories have auxiliary parts such as non-slip screws, etc, pay attention to its function and do not ignore it;
- If there is vibration in the installation environment of the lamp, a safety rope to prevent falling should be installed to ensure the reliability of the installation;
- After completing the installation, check whether the components are reliable and effective.

! Notice

- Please first read the product specification carefully, make sure the using environment conform to specification, then it can be used;
- This product should be installed by professionals;
- Non-professionals must not maintain the product;
- If the parts are damaged, they should be replaced by the manufacturer, service agent, or similarly qualified personnel;
- The use environment cannot exceed the specified anti-corrosion level, Please consult in advance for seaside use; If you have special requirements, please consult first;
- If the lamp is installed in the northern hemisphere, the solar panel should face south as much as possible during installation, and if it is in the southern hemisphere, the solar panel should face north during installation;
- Please avoid buildings or trees when installing, so as not to affect the normal power generation efficiency of solar panels, resulting in short working hours of lamps;
- When installing, please avoid large billboards or mains lamps to irradiate the solar panels, which will cause the solar panels to perceive as daytime and cause the lamps not to work;
- If the product is stored for a long time, the lamp needs to be charged at least once every six months, and the lamp is placed outdoors during the day, with the solar panel facing the sun, and charging is sufficient for 6-7 hours;
- Please do not cover the light-emitting surface of the lamp with paper or cloth, and the lamp should not be close to flammable materials;
- It is forbidden to introduce external electrical signals into the lighting system. External electrical signals may cause permanent damage to the equipment.
- Working environment temperature with: 0°C -60°C ;