

# SDL04 LED WALL WASHER DOWN LIGHT

SDL04-007/015/020-R90AXXB-XXK-01



## Description

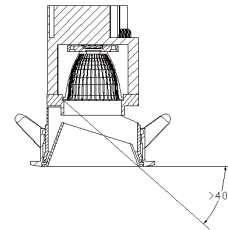
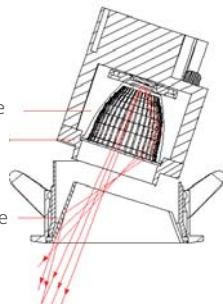
- SDL series wall washer downlight balance the lighting by making subtle correction to the uneven luminosity on horizontal surfaces. It's a functions of lighting which highlights certain objects, clear contrast and accurate directional light distribution are required to draw attention to a specific point. it's precisely defined depending on its roles.

## Features

- The lamp housing is made of high quality Aluminium Alloy material which is treated with advanced static electricity spray process.
- The lamp offer multiple size: 2inch,3inch,4inch. And offer 3 different reflector: black, white, silver, suitable for all kinds of decoration styles.
- Reliable COB light source, No UV, no infrared radiation
- External driver make sure low heat, good performance with long lifetime. Also easy for replacement.
- 3years warranty
- LED is positioned in the deepest part of this lamp, the reflector is optically curved by using our unique three-optical design, it's minimize the loss of device's efficiency and controls irregular reflection from its inner surface, to reach a accent, uniform, clean and comfortable lighting.

- >40 degrees Anti-glare design, create a comfortable lighting environment atmosphere.

- 1st optical cup, control the beam angle
- 2nd soft light film, filter stray light
- 3rd reflector, cut off and control diffuse light



- Modular design. You can change the type of mounting ring, reflector and optical cup according the decoration style.



### LED moduler.

High efficiency cob moduler, 2 size option,2 optical cap option



24°



36°

### LED mounting ring.

you can choose ceiling installation or embedded installation.



embedded installation



ceiling installation

### LED reflector.

offer Gun black,silver and golden reflector, and Gun black can absorbs diffuse reflected lighting, enhances Anti-glare effect, reach a "feel lighting but no lamps" when under the ceiling.



Gun black



Silver



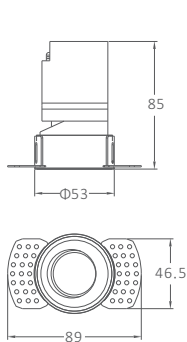
Golden

## Application

- The product is suitable for atmosphere and accent lighting in guest rooms, villas, display cabinets, artworks and places with size restrictions.

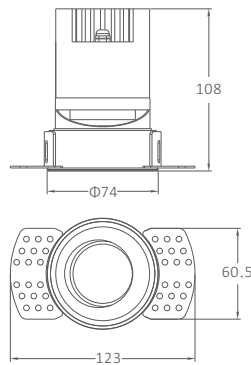


## Dimensions (unit: mm)



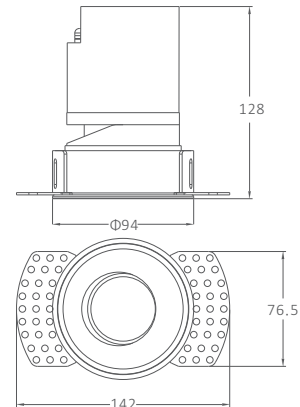
SIZE(L\*W\*H): 89\*46.5\*85

CUT OUT  $\Phi 55$



SIZE(L\*W\*H): 123\*60.5\*108

CUT OUT  $\Phi 75$



SIZE(L\*W\*H): 142\*76.5\*128

CUT OUT  $\Phi 95$

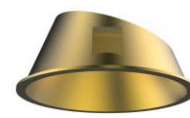
## Accessories



Gun black light control cup



Silver light control cup

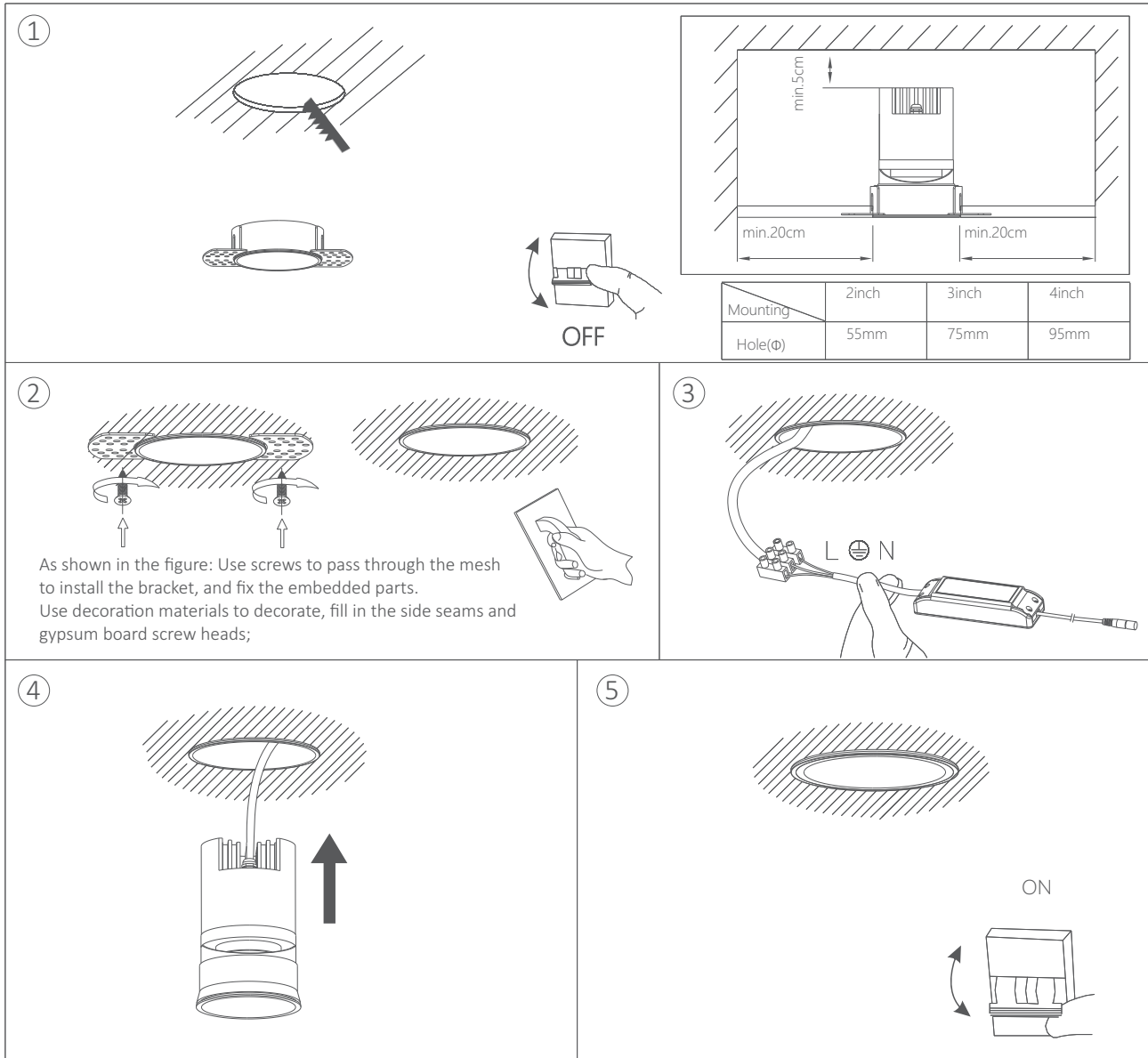


Golden light control cup

## Technical parameters

Model	Color	CCT	Lumen (lm $\pm 10\%$ )	Beam angle (°)	LED Type	Power (W)	Volatge (V)	Max.Current (A)	Frequency (Hz)	CRI	PF
SDL04-007-R90AXB-50K-01	W	4700K-5300K	350lm	24°/36°	COB	7W	220-240V AC	0.04	50/60Hz	>90	$\geq 0.85$
SDL04-007-R90AXB-40K-01	NW	3800K-4200K	350lm								
SDL04-007-R90AXB-30K-01	WW	2800K-3200K	350lm								
SDL04-007-R90AXB-27K-01	WW	2600K-2800K	350lm								
SDL04-015-R90AXB-50K-01	W	4700K-5300K	950lm	24°/36°	COB	15W	220-240V AC	0.08	50/60Hz	>90	$\geq 0.85$
SDL04-015-R90AXB-40K-01	NW	3800K-4200K	950lm								
SDL04-015-R90AXB-30K-01	WW	2800K-3200K	950lm								
SDL04-015-R90AXB-27K-01	WW	2600K-2800K	950lm								
SDL04-020-R90AXB-50K-01	W	4700K-5300K	1350lm	24°/36°	COB	20W	220-240V AC	0.10	50/60Hz	>90	$\geq 0.85$
SDL04-020-R90AXB-40K-01	NW	3800K-4200K	1350lm								
SDL04-020-R90AXB-30K-01	WW	2800K-3200K	1350lm								
SDL04-020-R90AXB-27K-01	WW	2600K-2800K	1350lm								

## Installation drawing



## Packaging information

Model	Inner box dimension	Carton box dimension	Unit net weight	Packing qty.	Carton box gross weight
SDL04-007	100*100*125mm	415*415*395mm	0.20KG	48PCS	13.6Kg
SDL04-015	135*135*145mm	555*420*455mm	0.36KG	36PCS	16.5Kg
SDL04-020	155*155*165mm	480*480*515mm	0.56KG	27PCS	18.5Kg

## Notice



- Please read the product specification carefully first to confirm that the use environment is in line with the condition on the specification before it is used.
- Please confirm the applicable power supply before use.
- When the product is connected with power supply, ensure that the switch is at the disconnected state to prevent electric shock.
- Operation against the rules may destroy your articles, or even endanger your personal safety.
- Make preliminary calculation for the quantity of light and then calculate the total power according to frequency of single light. Design the power distribution scheme.
- Dangerous high voltage. Non professional personnel should not repair.
- If the external wire of the light is damaged, it should be replaced by manufacturer or service agent or personnel with similar qualification to avoid danger.
- Common sense for handling: avoid impact or press the product with heavy objects. Handle with care during the transportation and installation process.



Yijia Industrial Park, Fuqian Road, Guanlan Town, Longhua, Shenzhen, Guangdong, China

Tel:+86-755-27608650  
Fax:+86-755-27608651  
www.signcomplex.com  
sales@signcomplex.com