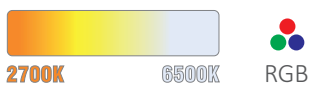


# LED Smart Bluetooth Downlight

HTT4-009-AL-RGB/CW-01BB  
HTT6-013-AL-RGB/CW-01BB



Color Adjustable



Android, IOS, Bluetooth



## Application

- ④ Used in offices, shopping malls, homes, etc. Through Bluetooth control, users can better enjoy the fun of work and life brought by intelligent products; Meanwhile, users can download the corresponding APPs in smart terminal to realize many functions.

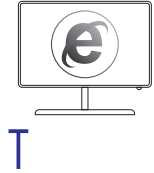


## Description

- The smart downlight adopts Bluetooth 5.0 Mesh Network, which can realize the brightness of cold/warm white light and infinite variation of color temperature, more intelligent and more energy efficient.

## Features

- Internet remote control.

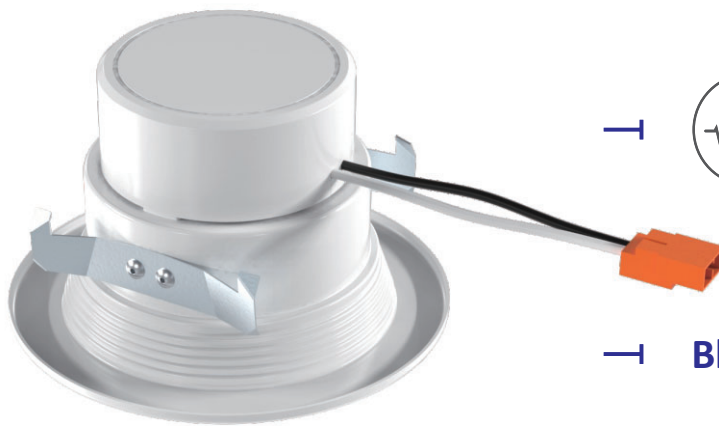


Long life span.



Voice control.

Bluetooth APP, Remote, Gateway.



2700K-6500K or 2700K-6500K+RGB, realize the change of color temperature, color and brightness.



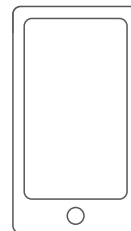
2700K 6500K

HTT4-009-AL-CW-01BB  
HTT6-013-AL-CW-01BB



2700K 6500K RGB

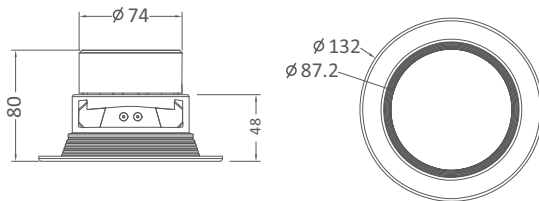
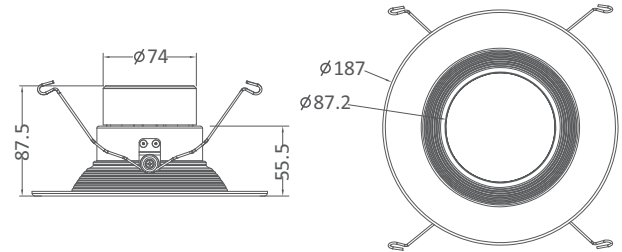
HTT4-009-AL-RGBCW-01BB  
HTT6-013-AL-RGBCW-01BB



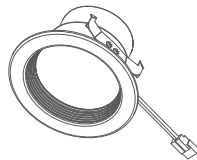
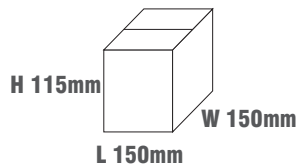
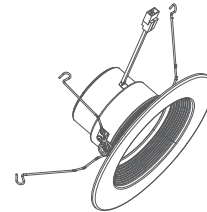
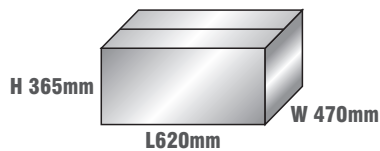
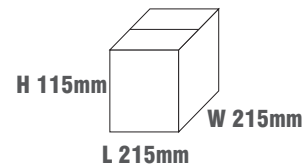
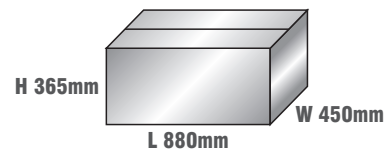
## Technical parameters

Model	CCT	Lumen(lm)	LED type	Power(W)	Channel	Wavelength	Input voltage Frequency
HTT4-009-AL-CW-01BB	2700-3250K	530 lm±10%	Warm White: 2835*15 Cold White: 2835*15	Sleep power: 1±15% Warm White: 9±10% Cold White : 9±10%	2 channels (W+WW)	/	100-130Vac 50/60Hz
	6000-7000K	620 lm±10%					
HTT6-013-AL-CW-01BB	2700-3250K	790 lm±10%	Warm White: 2835*18 Cold White: 2835*15	Sleep power: 1±15% Warm White: 13±10% Cold White : 13±10%	2 channels (W+WW)	/	
	6000-7000K	950 lm±10%					
HTT4-009-AL-RGBCW-01BB	Red	18-28 lm	RGB:5050*6 Warm White: 2835*15 Cold White: 2835*15	Sleep power: 1±15% Warm White: 9±10% Cold White: 9±10% RGB: 6.5±10%	5 channels (RGB+W+WW)	Red: 610 ~ 760nm Green: 492 ~ 577nm Blue: 435 ~ 480nm	
	Green	58-80 lm					
	Blue	15-25 lm					
	2700-3250K	530 lm±10%					
HTT6-013-AL-RGBCW-01BB	6000-7000K	620 lm±10%	RGB:5050*6 Warm White: 2835*15 Cold White: 2835*15	Sleep power: 1±15% Warm White: 13±10% Cold White: 13±10% RGB: 6.5±10%	5 channels (RGB+W+WW)	Red: 610 ~ 760nm Green: 492 ~ 577nm Blue: 435 ~ 480nm	
	Red	18-28 lm					
	Green	58-80 lm					
	Blue	15-25 lm					
Control method	2700-3250K	790lm±10%	RGB:5050*6 Warm White: 2835*15 Cold White: 2835*15	Sleep power: 1±15% Warm White: 13±10% Cold White: 13±10% RGB: 6.5±10%	5 channels (RGB+W+WW)	Red: 610 ~ 760nm Green: 492 ~ 577nm Blue: 435 ~ 480nm	
	6000-7000K	950lm±10%					

## Dimensions (unit: mm)

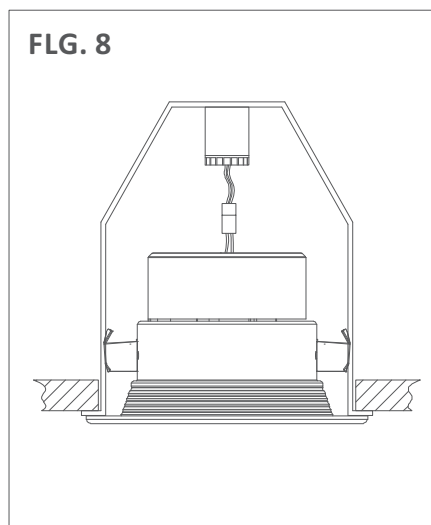
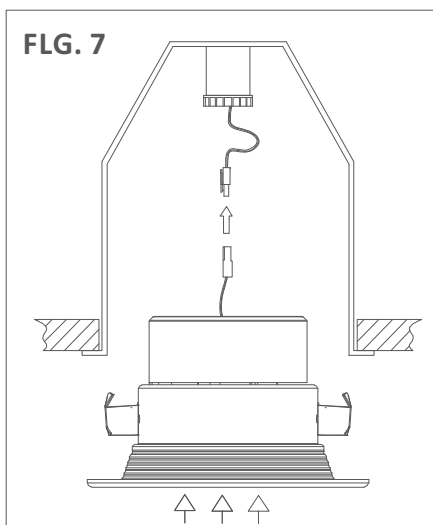
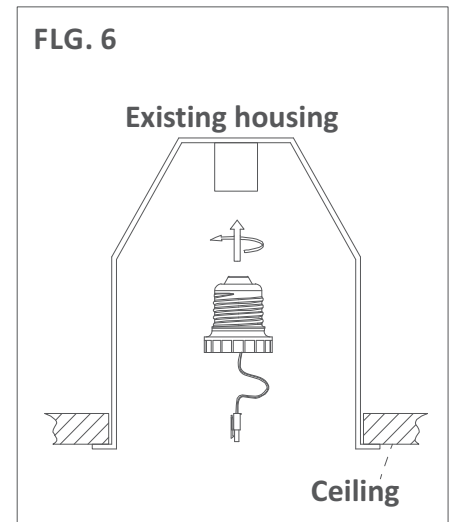
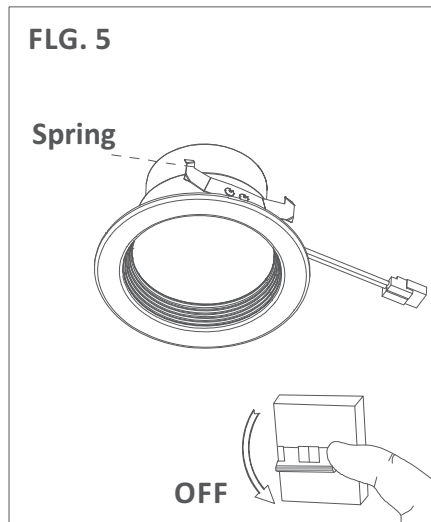
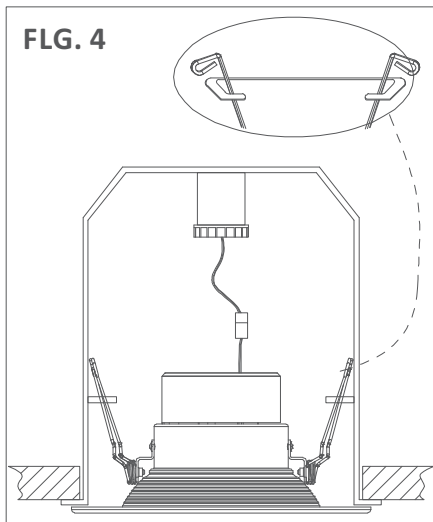
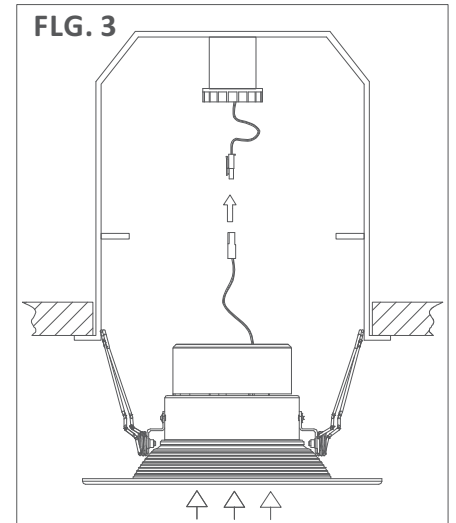
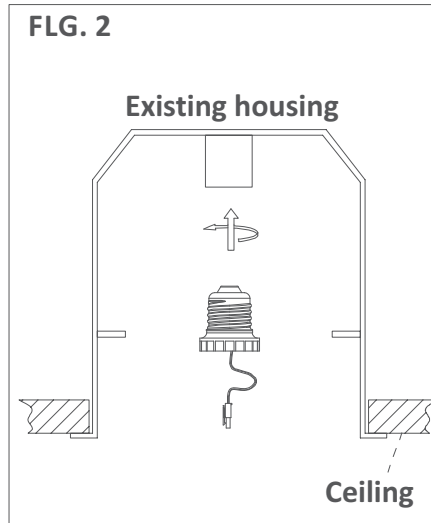
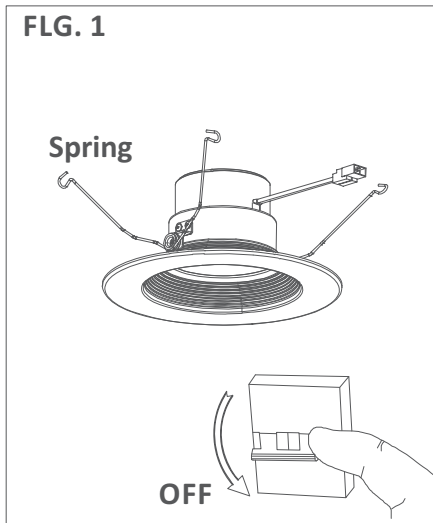
**HTT4-009-AL-CW/RGBCW-01BB**

**HTT6-013-AL-CW/RGBCW-01BB**


## Packaging information


**X 1PCS**

**X 36PCS**

**X 1PCS**

**X 24PCS**


Model	HTT4-009-AL-RGBCW/CW-01BB	HTT6-013-AL-RGBCW/CW-01BB
Inner size	150X150X115mm	215X215X115mm
Carton size	620X470X365mm <b>36PCS/carton</b>	880X450X365mm <b>24PCS/carton</b>
Net weight	0.197Kg	0.253Kg
Gross weight/box	0.289Kg	0.399Kg
Gross weight/CTN	11.6Kg	11.1Kg
20'GP	6408PCS	3420PCS
40'GP	14400PCS	6840PCS
40'HQ	17280PCS	8208PCS

## Installation diagram



## Notice



- Please read the specification first, to make sure the service environment matches the condition in the specification before using.
- Please confirm the applicable power supply before using.
- Make sure the switch of product is off before connect to the power supply to prevent electric shock.
- Operation against rules may damage your property even harm to your personal safety.
- Dangerous high voltage, Non-professionals are not allowed to maintain the products.
- If the exterior flexible cable or wire is damaged, it must exchange by the supplier, its agent or other similar qualified personnels to avoid dangers.



Yijia Industrial Park, Fuqian Road, Guanlan  
Town, LongHua, Shenzhen, Guangdong, China

Tel:+86-755-27608650  
Fax:+86-755-27608651  
[www.signcomplex.com](http://www.signcomplex.com)  
[sales@signcomplex.com](mailto:sales@signcomplex.com)