

# LED Motion Security Lights



## Description

- LED energy-saving lamp is made of high brightness white light-emitting diode light source. It matches a motion sensor, detecting distance adjustable up to 40ft, and integrated dusk to dawn photocell. Build-in PIR sensor or no sensor is available.

## Features

- Replace halogen and save 80% energy
- High quality SMD 2835 LEDs with uniform illumination
- Excellent thermal design with plastic-packed aluminum structure
- Pivoting arm allows directional lighting
- Easy to mount with canopy
- Outdoor wet location rated IP65
- Motion sensor adjustable lux, and sensing distance, time can be set by customer

## Technical parameters

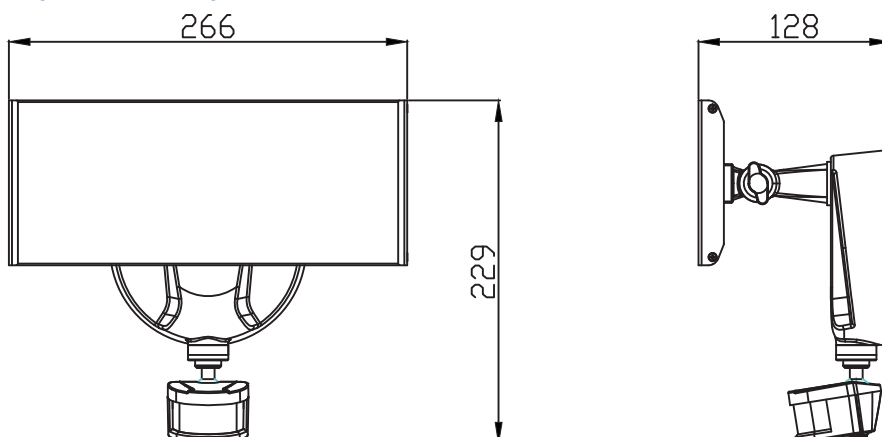
Model	Power	Lumen	LED Qty	CCT	Lighting effect	CRI	Beam angle	Detection range	Detection distance	Input voltage
SECC2-036-AW-30K-01/02	36W	2880LM	128pcs	3000K 4000K 5000K	80LM/W	≥80	110°	150° optional	Max. 10m, adjustable	100-277V 50/60Hz

## Application

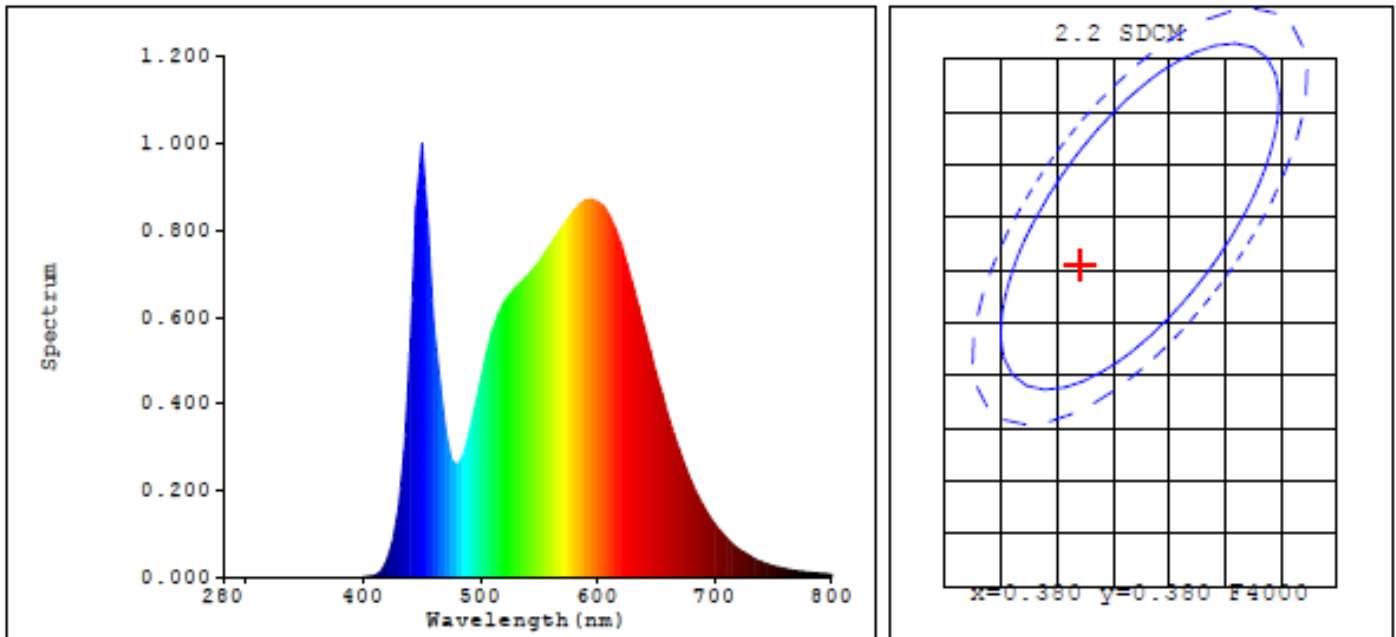
- Mainly used for lighting in the corridors, side walls and portal of retail market, small supermarkets, storage rooms, library, etc.



## Dimensions (unit: mm)



## Plant optics Test Report



### Colorimetric Parameters:

Chromaticity Coordinate:  $x=0.3753$   $y=0.3763$  /  $u'=0.2219$   $v'=0.5006$  ( $duv=1.31e-03$ )

Tc=4139K Dominant WL:Ld=577.0nm Purity=25.6% Centroid WL:568.0nm

Ratio:R=19.5% G=77.2% B=3.3% Peak WL:Lp=450.0nm HWL:23.7nm

Render Index:Ra=84.2 AvgR=77.8

R1 =83 R2 =89 R3 =94 R4 =84 R5 =83 R6 =85 R7 =88

R8 =68 R9 =15 R10=74 R11=84 R12=63 R13=84 R14=97 R15=77

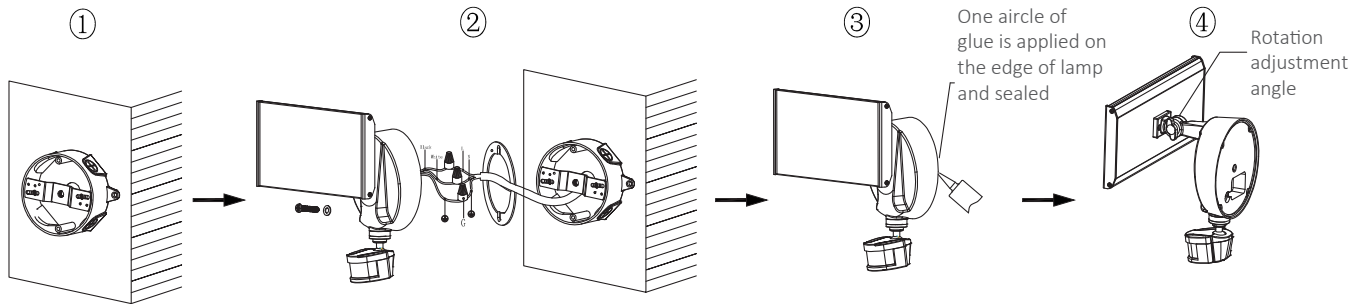
### Photometric Parameters:

Flux: 3376.2 lm Fe: 10.394 W Efficacy:97.64 lm/W

### Electrical Parameters:

Lamp : U=220.0V I=0.1615A P=34.58W PF=0.9733 Freq=50.01Hz

## Installation diagram



## Packaging information

● Product type	SECC2-036-AW-30K-01/02
● Color box size	305x165x155mm
● External case size	515x320x485mm 9PCS/carton
● Net weight	0.75KG
● Weight of single package	1.0KG
● Weight of whole case	10.2KG

## Notice



- **Warning: Attention to electric shock**  
Before the lamp is connected with the power supply, please cut off the fuse or air breaker; ensure that the input voltage is within the correct and reasonable scope and connect the lamp with the power supply of 120V 60 Hz; ensure that the connection of wire and grounding wire conforms to national electric standard and local applicable specification requirement. All connection of wire must use connection terminals in line with UL certification.
- **Warning: Attention to cauma**  
Take the lamp from the box. Wear the glove and protective glasses at the time of installation, debugging and repair.  
When the lamp is on, don't stare at the light source with eyes directly. As LED is very bright, you should not stare at LED at any circumstance. Otherwise, irreparable injury may be produced to your eyes. Please let the lamp cool before touching it. Don't touch the lamp enclosure or light source. The input power should not exceed the maximum power indicated on the lamp label.
- **Warning: Attention to fire**  
The inflammable and combustibile should be away from the light source and light/lens.



Tel:+86-755-27608650  
 Fax:+86-755-27608651  
[www.signcomplex.com](http://www.signcomplex.com)  
[sales@signcomplex.com](mailto:sales@signcomplex.com)