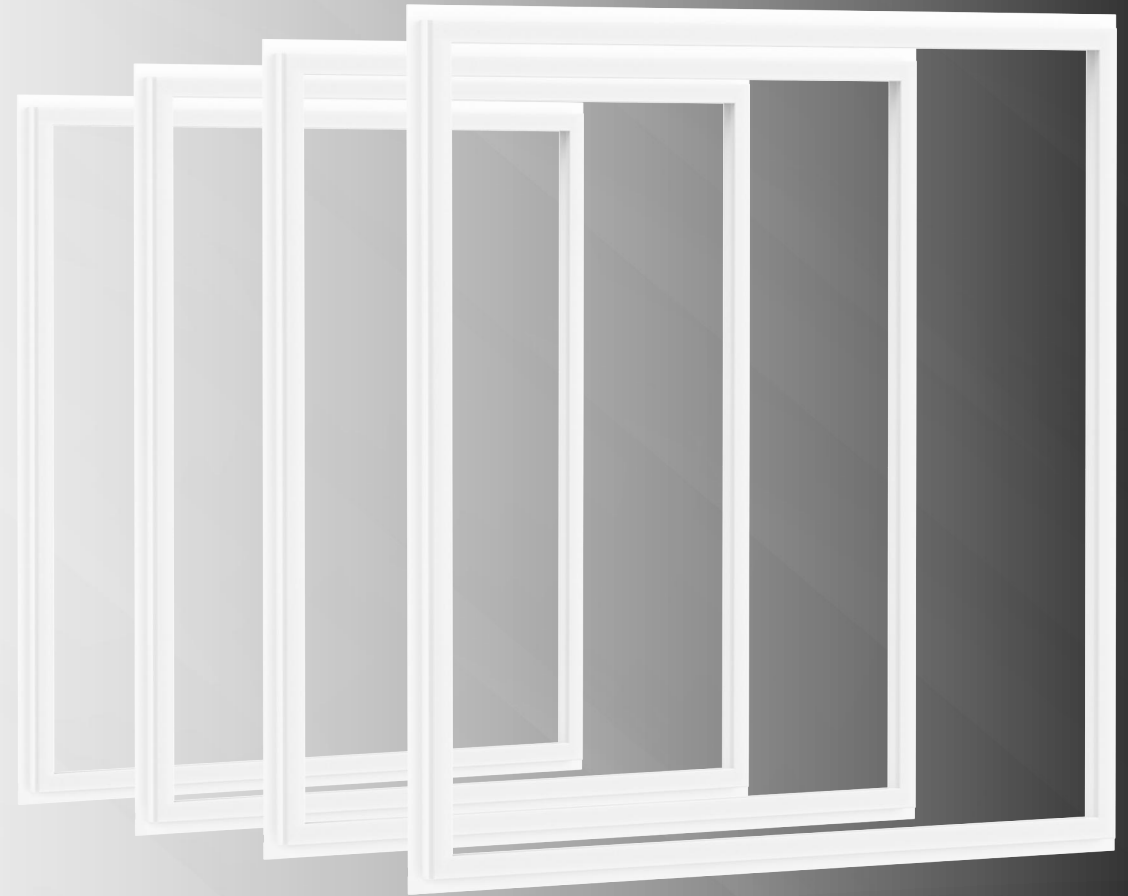
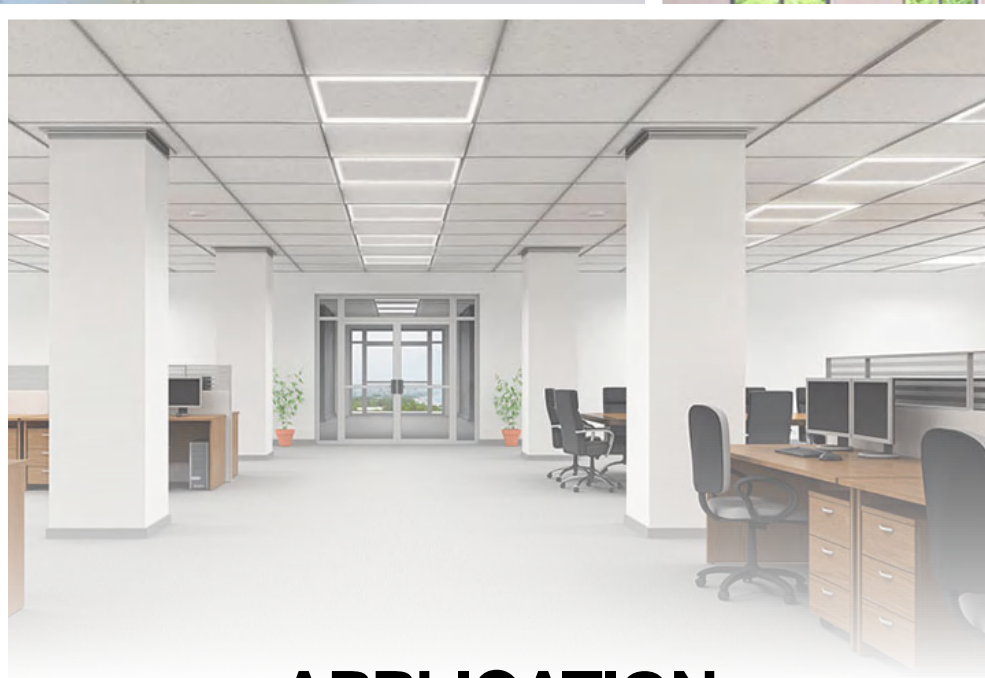




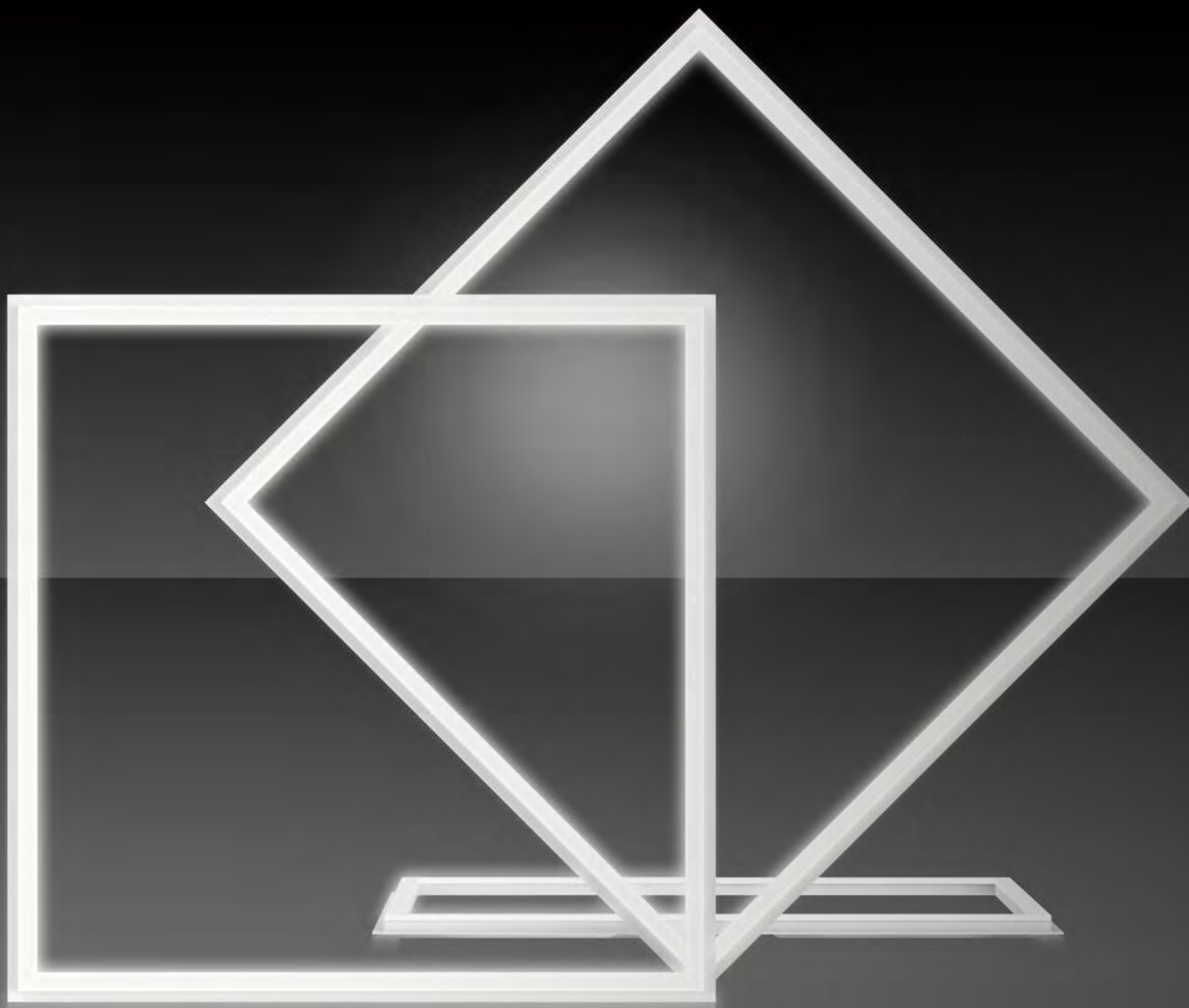
FRAME LIGHT





APPLICATION

Suitable for shop, supermarket, shopping mall, office, house, factory and other indoor places.



GREAT DESIGN

Luminous square frame lines, fashionable
and simple appearance

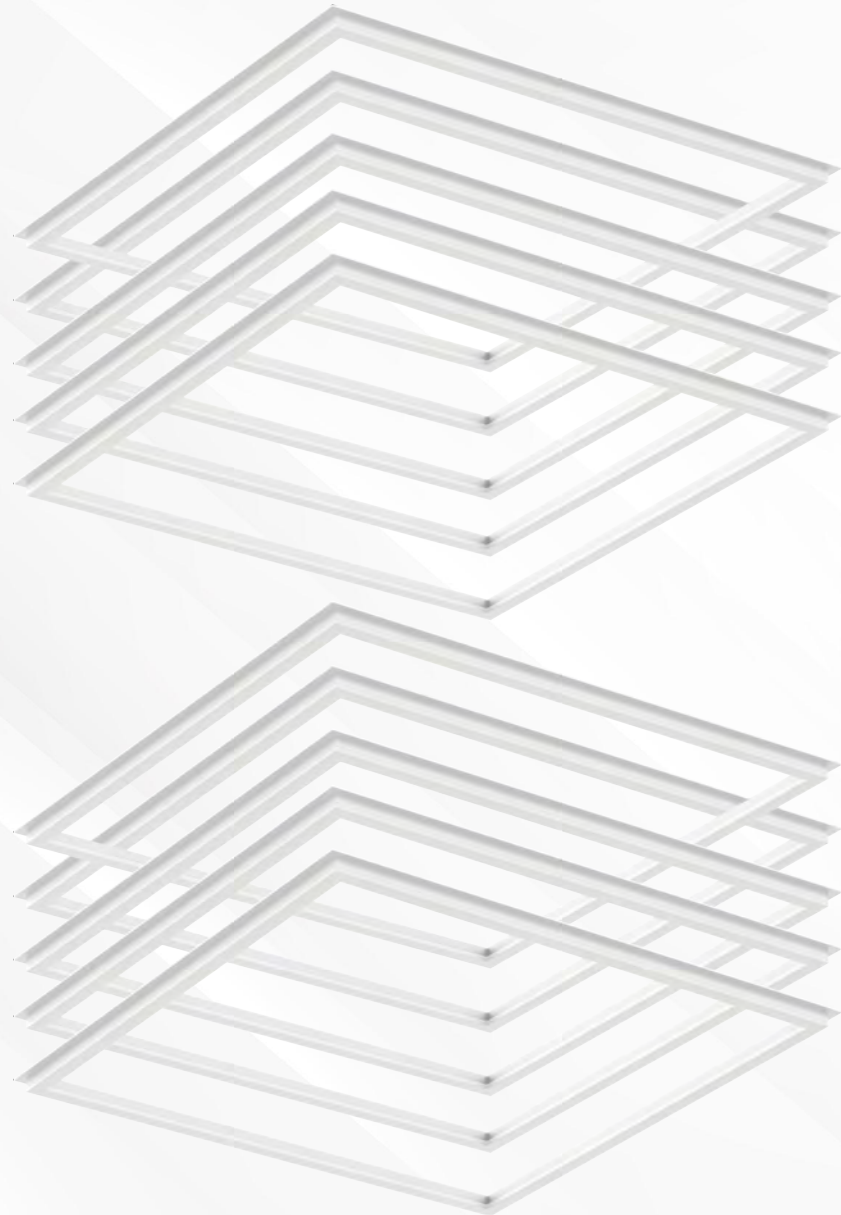
TRAIT OF LIGHTING



The four aluminum frames are spliced seamlessly to achieve more uniform heat dissipation.

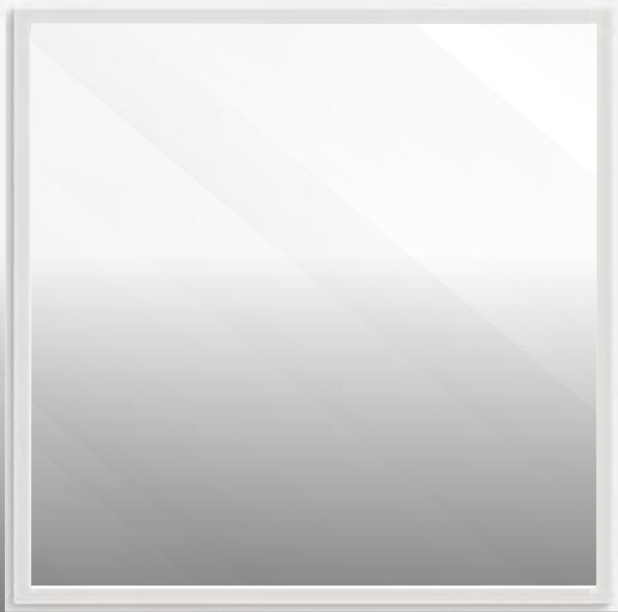
Light on four sides, no shadow at the corner

High quality PC milky white diffuser, uniform and soft light, protecting eyes



LIGHT WEIGHT OF TRANSPORT

85% less weight and 50% less package volume than conventional panel lights, save more freight



Ours

VS

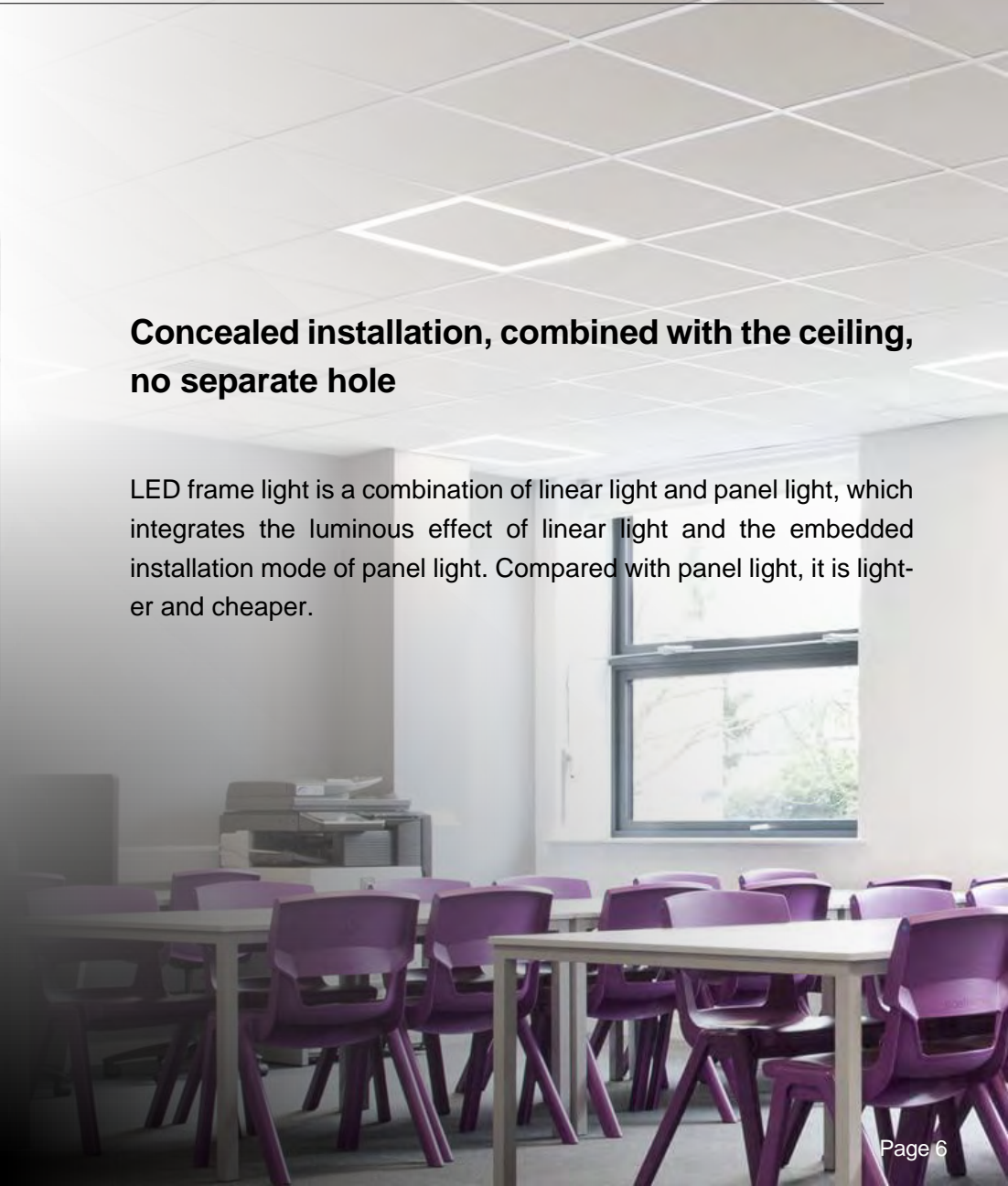


Others

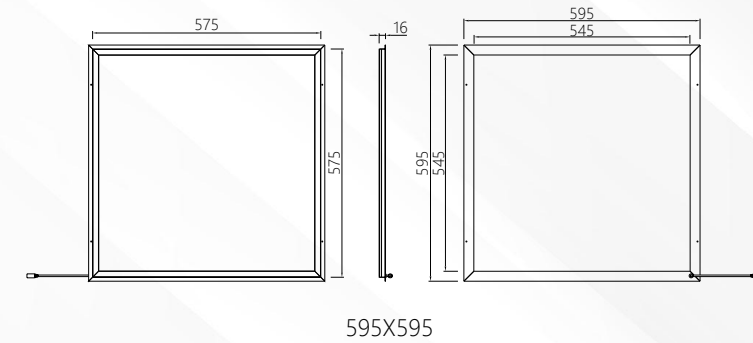
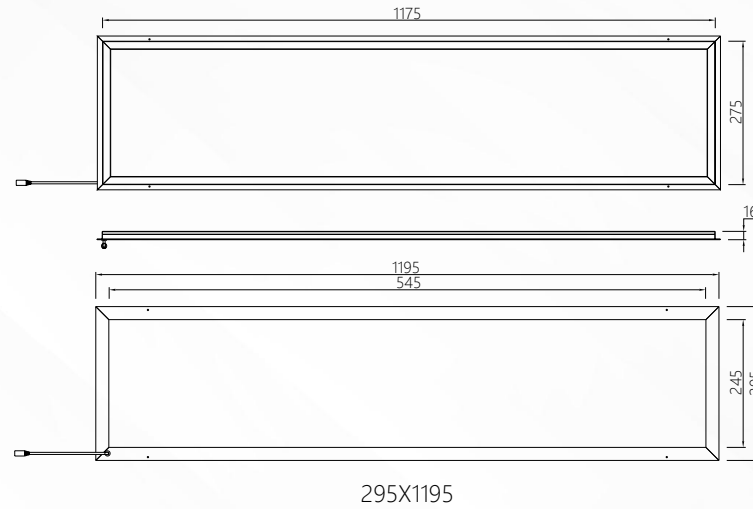
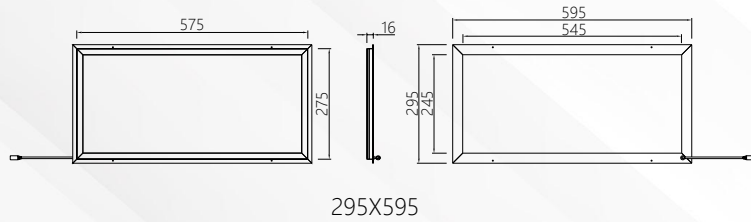
The luminous area is reduced by 90%, but the luminous flux is consistent and more environmentally friendly

Concealed installation, combined with the ceiling, no separate hole

LED frame light is a combination of linear light and panel light, which integrates the luminous effect of linear light and the embedded installation mode of panel light. Compared with panel light, it is lighter and cheaper.



DIMENSIONS (unit: mm)



Wiring diagram of square frame light LED driver 50Hz / 60HzAC 220-240V



PARAMETER

Model	CCT	Power (±10%)	Lumen (±10%)	PF value	LED type	CRI	Application environment	Input voltage	Protection grade	Beam angle
SC-PSC24CE3060-FR24W	6000-6500K	24W	2160LM							
SC-PSC24NE3060-FR24W	3800-4200K	24W	2160LM							
SC-PSC24WE3060-FR24W	2800-3200K	24W	2112LM							
SC-PSC24CE6060-FR40W	6000-6500K	40W	3200LM							
SC-PSC24NE6060-FR40W	3800-4200K	40W	3600LM	>0.9	5730	≥80	-10℃-40℃	220-240V/ 50/60Hz	IP40	120°
SC-PSC24WE6060-FR40W	2800-3200K	40W	3400LM							
SC-PSC24CE3012-FR40W	6000-6500K	40W	3500LM							
SC-PSC24NE3012-FR40W	3800-4200K	40W	3600LM							
SC-PSC24WE3012-FR40W	2800-3200K	40W	3520LM							

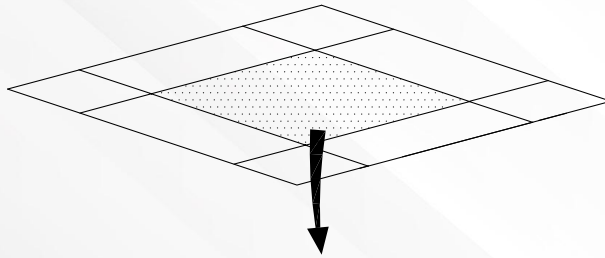
Model endings add:

A01 for 0-10V dimming

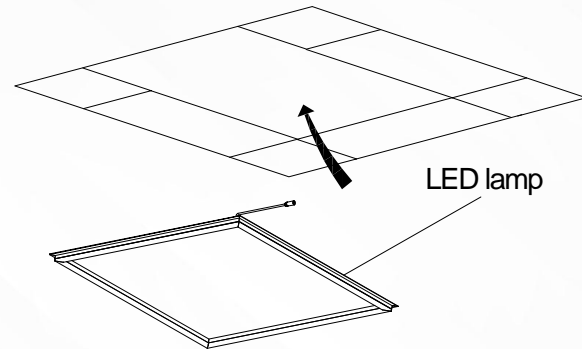
D01 for DALI dimming

INSTALLATION

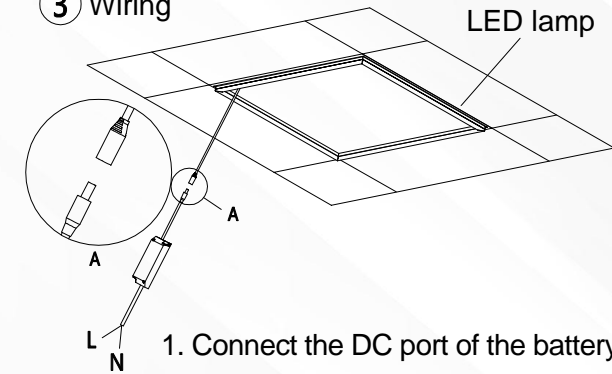
① Remove the plasterboard



② Recess the lamp into the ceiling

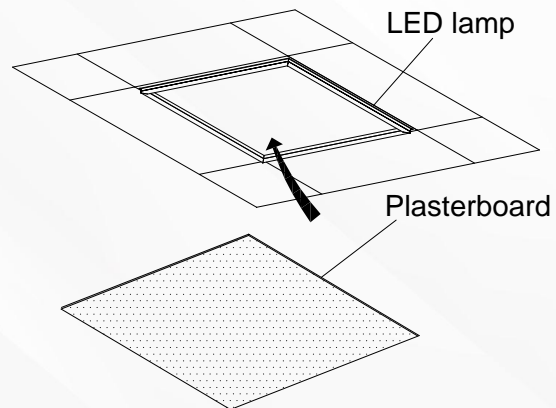


③ Wiring

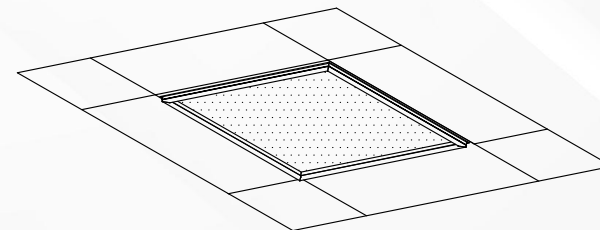


1. Connect the DC port of the battery
2. Connect the power input port to the mains

④ Put back the plasterboard



⑤ Installation is complete



INCLUDE INNER BOX

Product Information	6060	3012
Net weight for single box	0.53kg	0.63kg
Gross weight for carton	10.7kg	11.6kg
Inner package size (inch)	26.77" x 25.04" x 1.5"	48.62" x 14.96" x 1.5"
Carton size (inch)	25.59" x 16.69" x 27.95"	49.21" x 16.34" x 16.14"
Carton QTY	1pcs/inner box	10pcs/carton

NO INNER BOX

Product Information	6060	3012
Net weight for single box	0.53kg	0.63kg
Gross weight for carton	6.6kg	7.8kg
Inner package size (inch)	/	/
Carton size (inch)	24.8" x 8.27" x 25"	48.43" x 8.27" x 13.2"
Carton QTY		10pcs/carton

NOTICE

- 1/ Please read the specification first, to make sure the service environment matches the condition in the specification before using.
- 2/ Please confirm the applicable power supply before using.
- 3/ Make sure the switch of product is off before connect to the power supply to prevent electric shock.
- 4/ Operation against rules may damage your property even harm to your personal safety.
- 5/ Preliminarily estimate required quantity of LED frame lights, then according to the power rating of single panel light to figure out the total power and design power supply plan.
- 6/ Dangerous high voltage, Non-professionals are not allowed to maintain the products.
- 7/ If the exterior flexible cable or wire is damaged, it must exchange by the supplier, its agent or other similar qualified personnels to avoid dangers.