



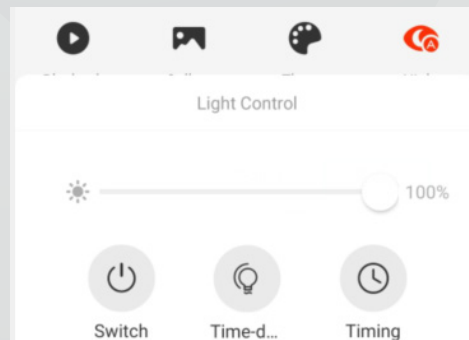
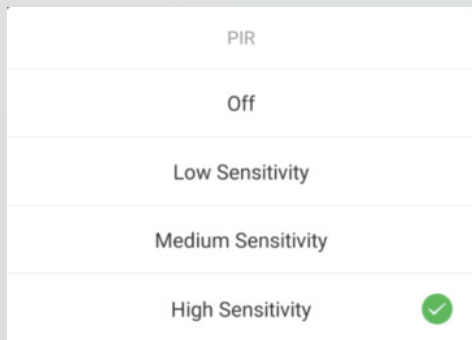
# LED Camera Motion Security Lights

---



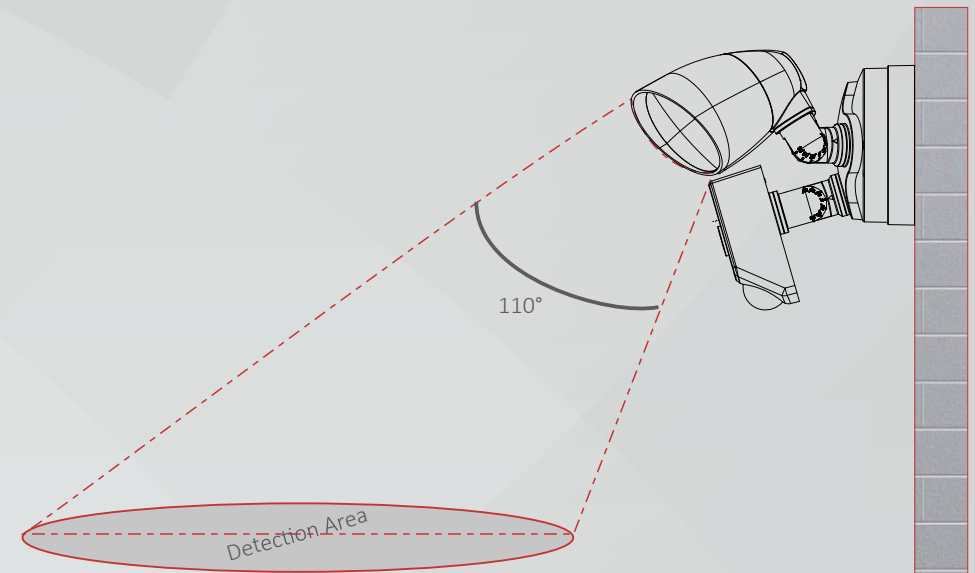
## Functional description

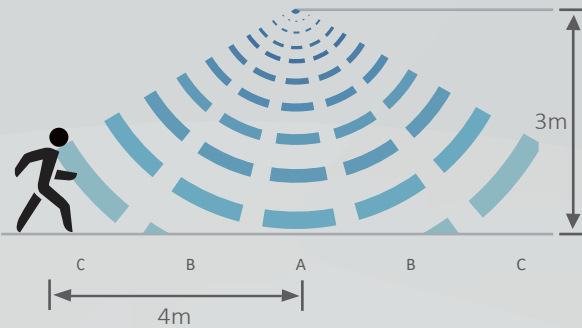
- ◆ Users can remotely view the surveillance video in the memory card and cloud storage of the lights on the tuya smart app.  
The PIR option on the app is related to the sensitivity. The sensitivity is divided into low / medium / high, and different sensing distances can be realized.
- ◆ The light control option on the app controls the switch and brightness of the light.  
When PIR is off, the camera can monitor remotely after power on, but without object movement alarm.
- ◆ 3CCT switch function, customers can select different color temperatures through dial switch according to different requirements before installation.



## Description

- ◆ The product uses PIR sensor to detect infrared signal, which is transmitted to the camera for processing to control LED lamps.  
If someone walks into the detection area, the light will be turned on automatically. Equipped with built-in photoelectric sensor, it can control the automatic on-off of the camera fill light.





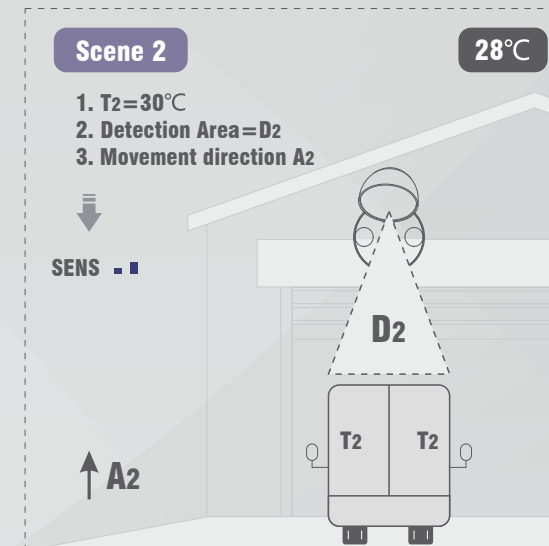
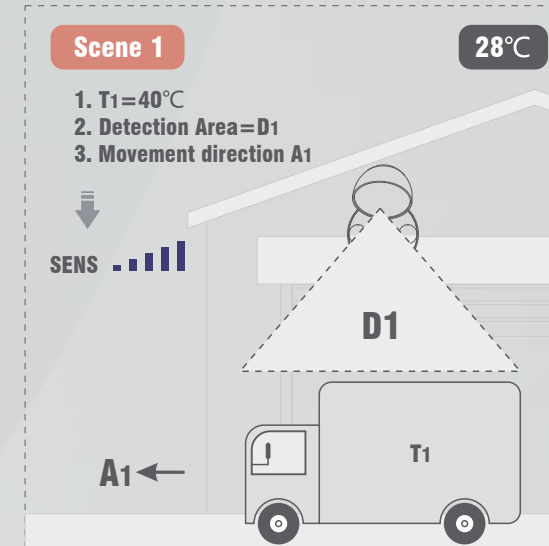
Working Voltage	Ac100-277V
PIR Frequency	XX
PIR Power	DC 3.3V
Detection Angle	130-140
Detection Range	Max.(D*H)4m*3m
Detection Speed	XX

### ◆ Factors related to sensitivity

The relation of the sensor to the ambient temperature: the greater the temperature differences between sensor and ambient temperature, the higher the sensitivity.

The relation of the sensor to the infrared radiation surface area of the detected object: the greater the infrared radiation surface area, the higher the sensitivity.

The relation of the sensor to the movement direction of the detected object: if the detected object moves tangentially when passing the sensor, it gets to the maximum sensitivity. But it gets to the lowest sensitivity when the detected object moves directly towards sensor.



## Function

### 1 Pivoting arm allows directional lighting.

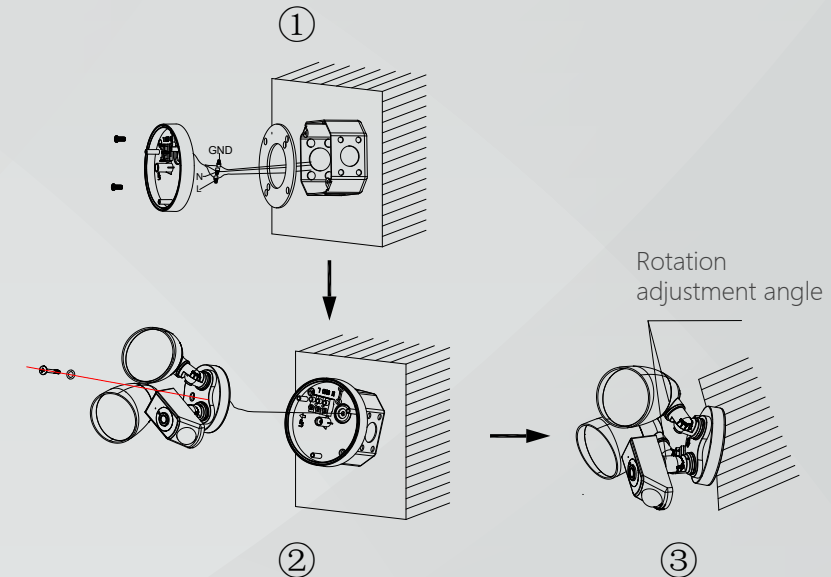


## Technical parameters

Model	Power	Lumen	LED Type/Qty	CCT	Lighting effect	CRI	Beam angle	Detection distance	Input voltage
SECA1-010-AW-3CCT-01	10W	800-900Lm	SMD3030 12*2pcs	3000K 4000K 5000K	70Lm/W 85Lm/W 80Lm/W	≥80	135°	Max. 8m, adjustable	100-277V 50/60Hz
SECA1-010-AW-3CCT-02									
SECA1-010-AW-3CCT-03									
SECA1-020-AW-3CCT-01	10W*2	1600-1800Lm	SMD3030 24*2pcs						
SECA1-020-AW-3CCT-02									
SECA1-020-AW-3CCT-03									

◆ 01 for white, 02 for black and 03 for bronze

## Installation diagram



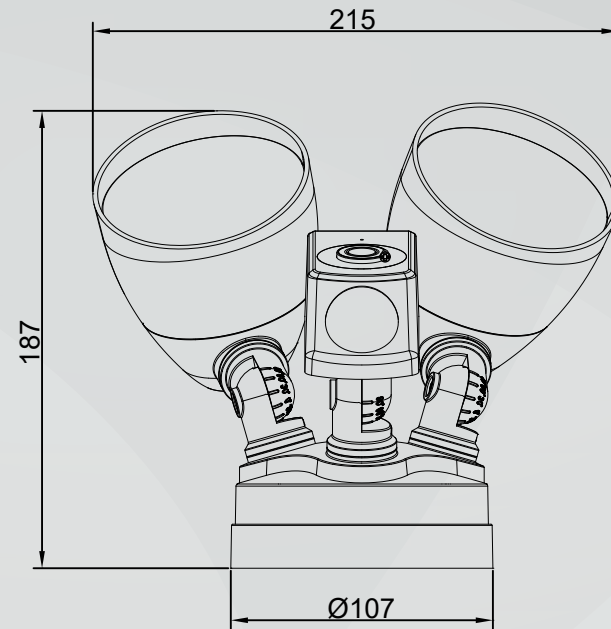
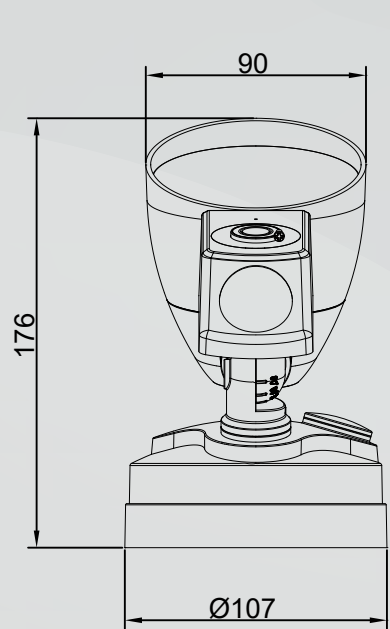
2 After initialization, the camera will automatically connect to the Internet and adjust the relevant functions on the app.

3 After powering up, the luminaire is initialized within 15 seconds. At this time, the luminaire is on and cannot be controlled. After the luminaire is initialized, it switches off automatically and enters the normal working state.

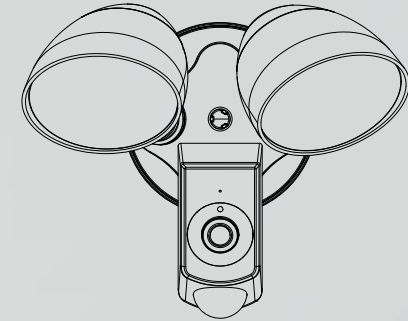
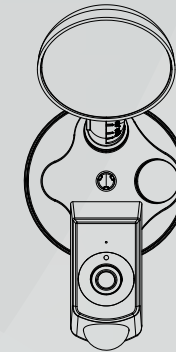
**Dimensions (unit: mm)**

**SECA1-010-AW-3CCT-01/02/03**

**SECA1-020-AW-3CCT-01/02/03**

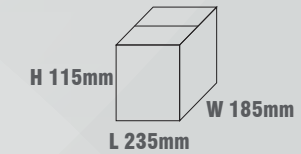
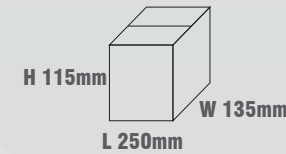


**Packaging information**



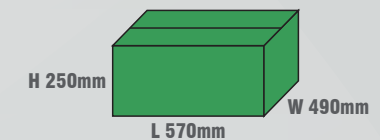
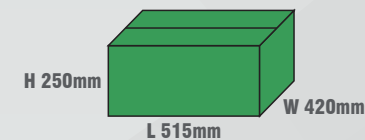
**X 1PCS**

**X 1PCS**

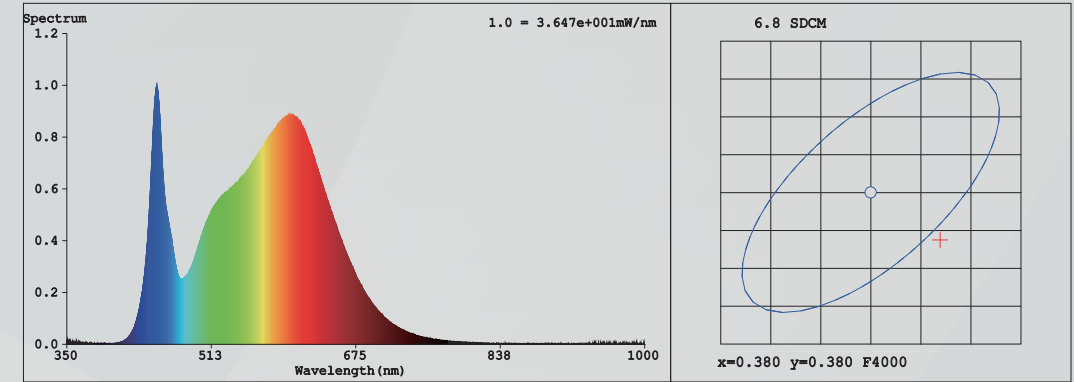


**X 12PCS**

**X 12PCS**

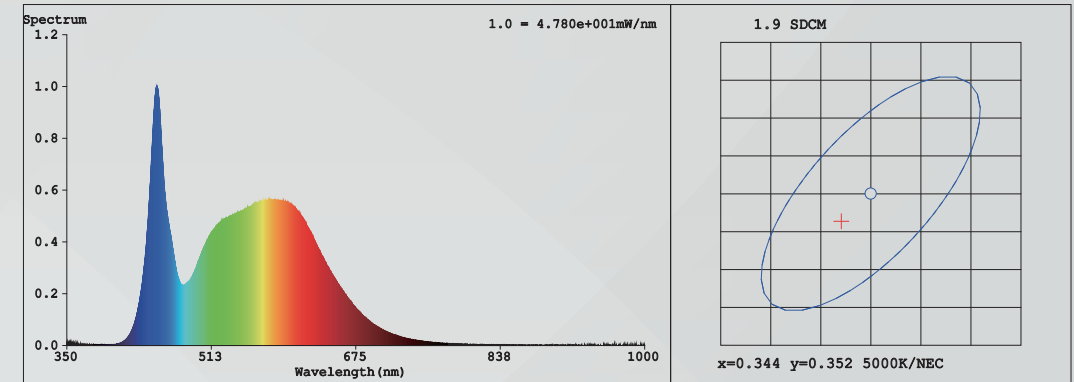


◆ Product type	SECA1-010-AW-3CCT-01/02/03	SECA1-020-AW-3CCT-01/02/03
◆ Color box size	250*135*115mm	235*185*115mm
◆ Carton size	515*420*250mm <b>12PCS/carton</b>	570*490*250mm <b>12PCS/carton</b>
◆ Net weight	0.45Kg	0.65Kg
◆ Weight of single package	0.5KG	0.75KG
◆ Weight of whole case	7KG	10.2KG
◆ Container quantity	20-inch container 6960PCS	20-inch container 3240PCS
	40-inch common container 15120PCS	40-inch common container 6804PCS
	40-inch high container 18144PCS	40-inch high container 8316PCS



Spectral Distribution

CIE1931 Chromaticity Diagram

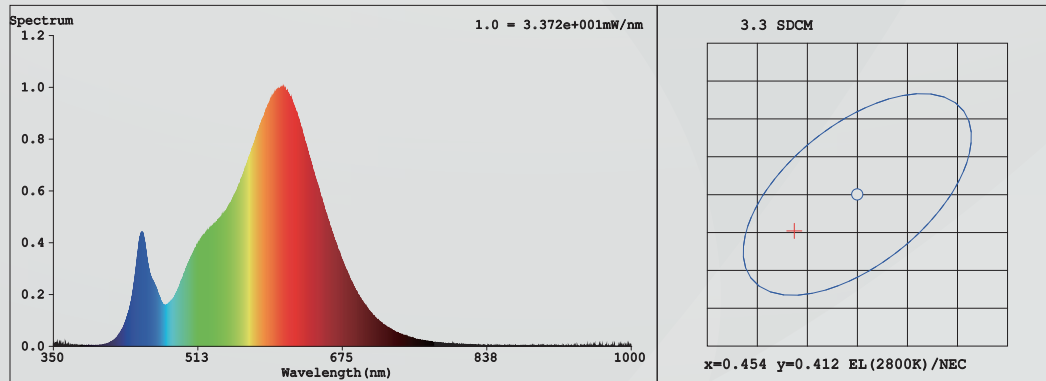


Spectral Distribution

CIE1931 Chromaticity Diagram

## Test report

### ◆ Mode: CCT security light in black



Spectral Distribution

CIE1931 Chromaticity Diagram

## Application

Widely used in the retail market, small supermarket, storeroom, library, courtyard and so on, for corridor sidewall and porch lighting and video monitoring



## Notice



### ◆ Warning: Attention electric shock

Before the lamp is connected with the power supply, please cut off the fuse or air breaker; ensure that the input voltage is within the correct and reasonable scope and connect the lamp with the power supply of 100-277V 50/60HZ; ensure that the connection of wire and grounding wire conforms to national electric standard and local applicable specification requirement. All connection of wire must use connection terminals in line with UL certification.

### ◆ Warning: Attention to cauma

Take the lamp from the box. Wear the gloves and protective glasses for debugging and repair during installation. When the lamp is on, don't stare at the light source with eyes directly. As LED is very bright, you should not stare at LED at any circumstance. Otherwise, irreparable injury may be produced to your eyes. Please let the lamp cool before touching it. Don't touch the lampshade or light source. The input power should not exceed the maximum power indicated on the lamp label.

### ◆ Warning: Attention to fire

The inflammable and combustibile should be away from the light source and light lens.