

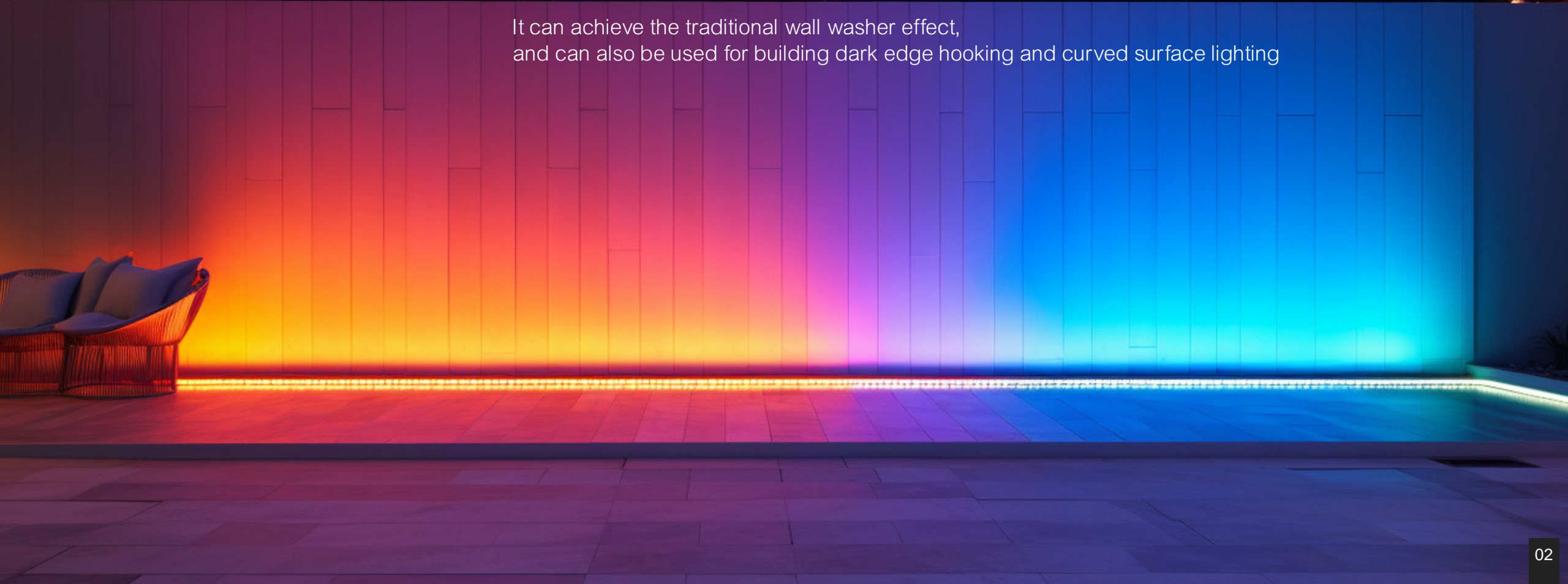
FLEXIBLE

WALL WASHER LIGHT



WALL WASHER LIGHTING EFFECT

It can achieve the traditional wall washer effect,
and can also be used for building dark edge hooking and curved surface lighting



AVAILABLE COLORS

 W/NW/WW/RGB/RGBIC/RGBWIC



PERFECT LINEAR LIGHTING EFFECT

Imported LED brand chips have long lifespan,
stable lighting, low light attenuation and good lighting consistency

Distance from Wall for 4-10CM, optimal wall washing height is 1-1.5m



10M

CASCADE

The longest cascade is 10 m,
165 mm can be reduced, and different lengths can be customized



IP67 WATERPROOF

Special adhesive packaging, firm and reliable, IP67 protection grade, durable





APPLICATION

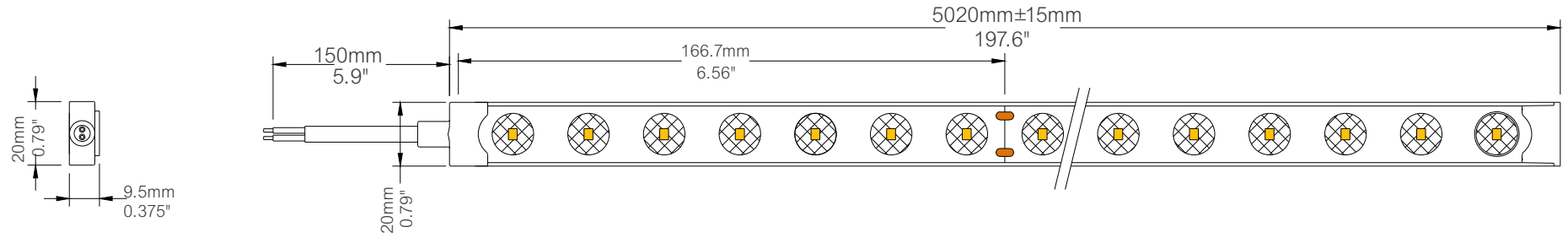
- Wall washing lighting on building surface
- Indoor and outdoor special-shaped structure wall washing decoration lighting
- Jewelry lighting



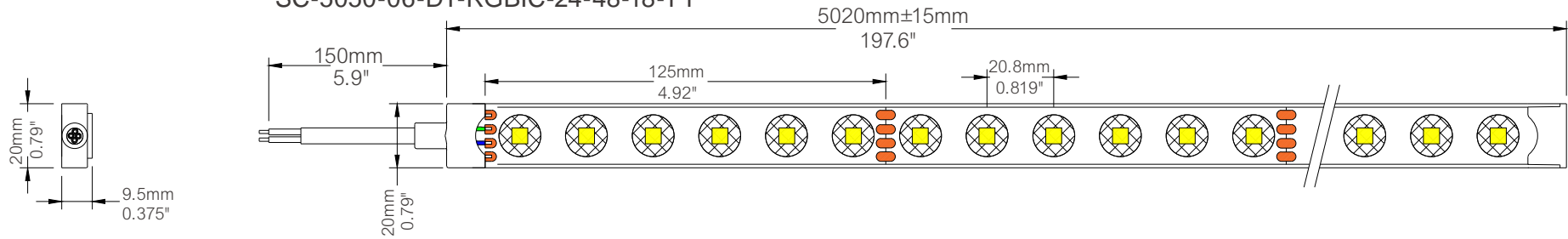
TECHNICAL PARAMETERS

Model	Color	Lumen (lm/m)	LED Type	LED Qty. (leds/m)	Beam Angle (°)	DC Voltage (V)	Power (w/m)	CRI	IP
SC-2835-07-DT-XX-24-42-18-YY	WW	2200	2835	42	20°	24	18	80/90	IP67
	NW	2230	2835		35°				
	W	2250	2835		45°				
SC-5050-06-DT-RGB-24-48-18-YY	RGB	/	5050	48	40° 50° 60°	24	11.5	/	IP67
SC-5050-06-DT-RGBIC-24-48-18-YY	RGB	/	5050	48			10		
SC-5050-06-DT-RGBWIC-24-36-18-YY	RGBW	/	5050	36			10		

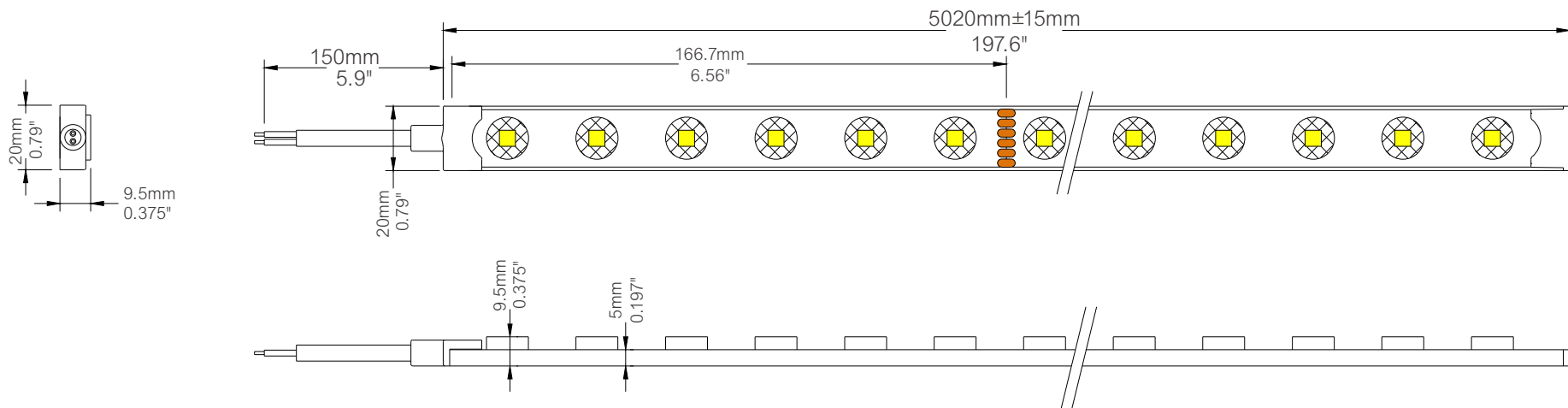
SC-2835-07-DT-XX-24-42-18-YY



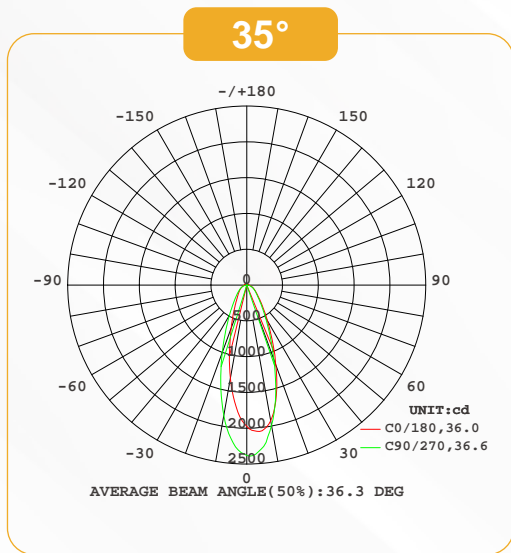
SC-5050-06-DT-RGB-24-48-18-YY
SC-5050-06-DT-RGBIC-24-48-18-YY



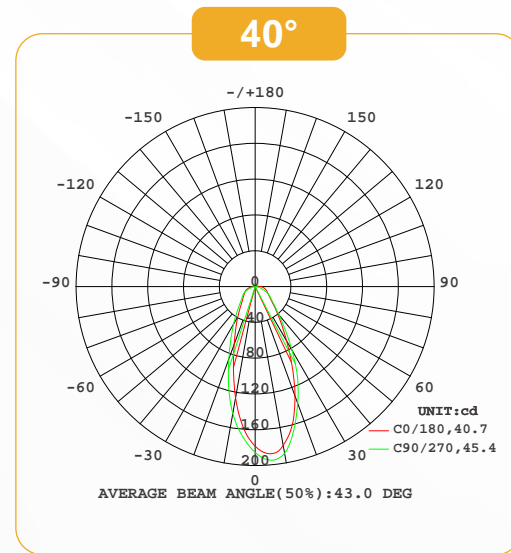
SC-5050-06-DT-RGBWIC-24-36-18-YY



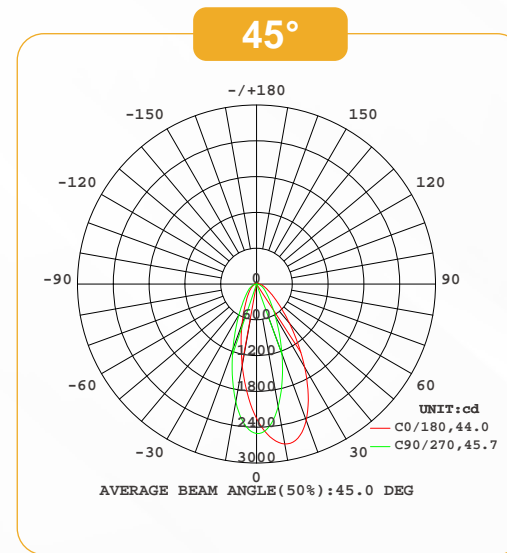
LIGHT DISTRIBUTION



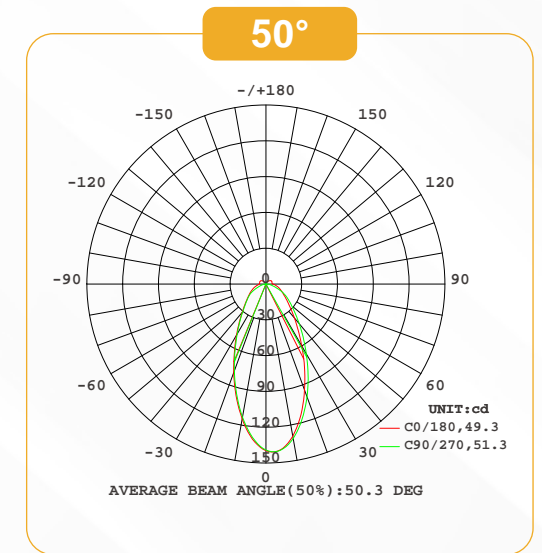
SC-2835-07-DT-40K-24-42-18-18W35°



SC-5050-06-DT-RGB-24-48-18-11.5W40°

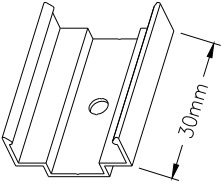
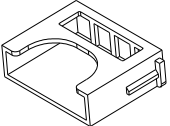
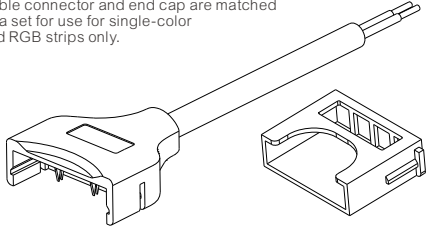
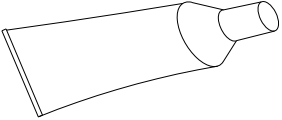
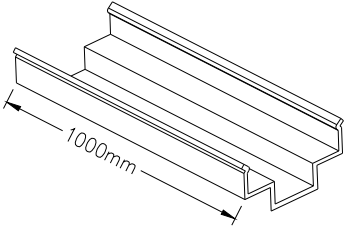
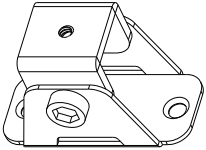


SC-2835-07-DT-WW-24-42-18-18W45°



SC-5050-06-DT-RGB-24-48-18-11.5W50°

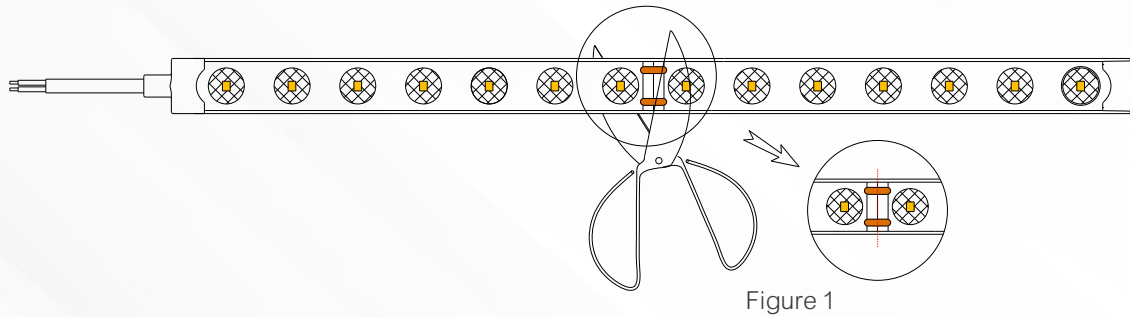
ACCESSORIES

Mounting clip	End cap	Cable connector	Glue	Mounting Channel	Adjustable Bracket
		<p>Cable connector and end cap are matched as a set for use for single-color and RGB strips only.</p> 			
20pcs/5M	optional	optional	optional	optional	optional

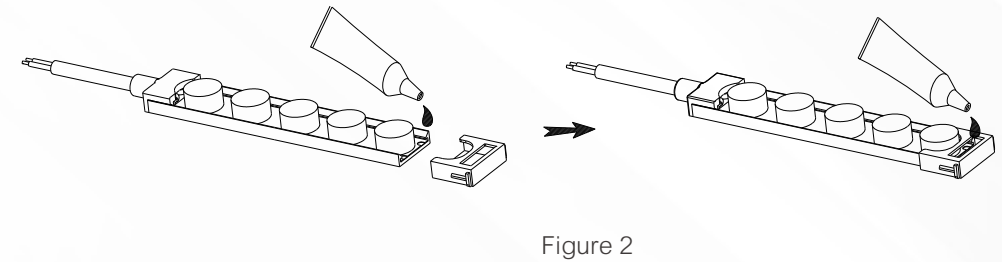
**VARIOUS INSTALLATION METHODS:
Adhesive backing and profile**

CUTTING OPERATION

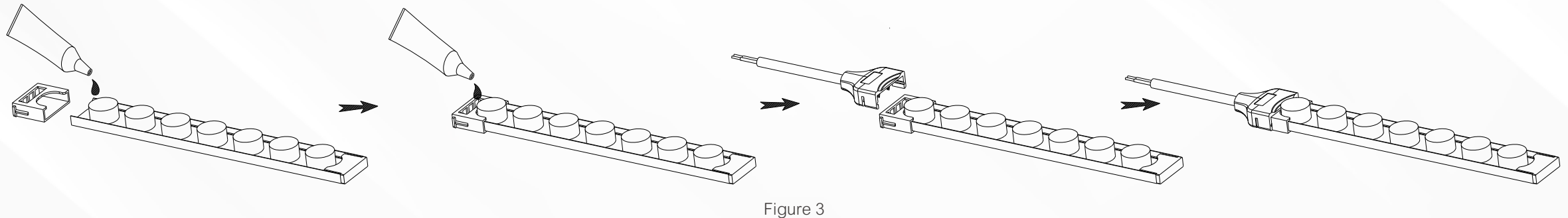
01 Use scissors to cut the wire at the scissor mark near the input wire, as shown in Figure 1.



02 Apply a thin layer of glue around the tail of the light strip, and then insert the light strip into the end cap. Once the lens is pressed against the gap of the end cap, fill the rectangular hole of the end cap with glue. As shown in Figure 2:



03 Apply a thin layer of glue around the front of the light strip, and then insert the light strip into the end cap. When the lens is pressed against the gap of the end cap, apply glue to the rectangular hole of the end cap, fill the hole with glue, and immediately cover the wire connector, as shown in Figure 3:



After the glue injection, the light strip needs to be placed flat for 2 hours, and the construction work can only be carried out after the glue surface is dry. It takes 24 hours for the glue to dry completely.

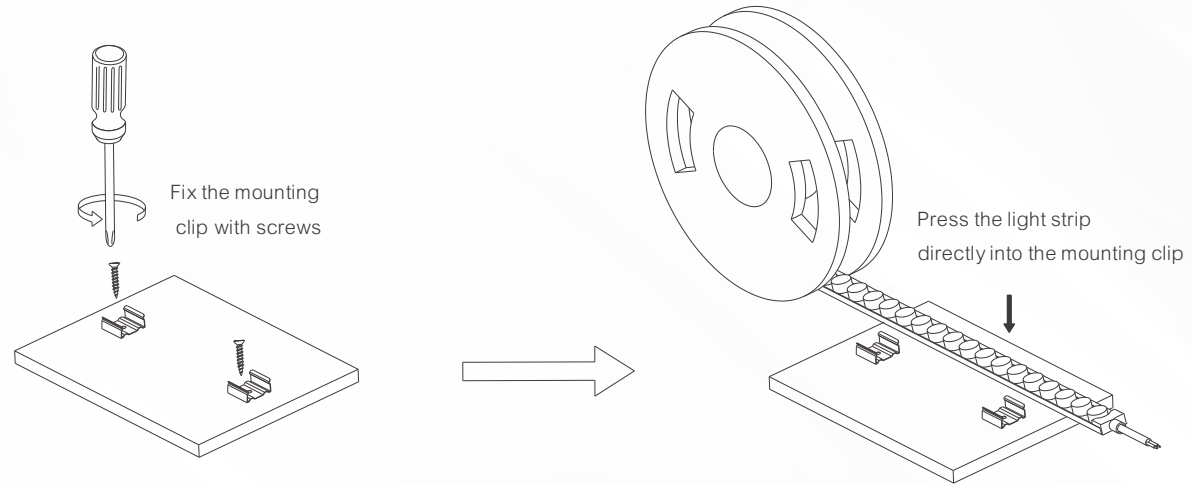
INSTALLATION DIAGRAM

Installation Diagram I

- (1) Locate and install on the wall to be installed;
- (2) At the installation position, fix the installation holder with screws;
- (3) After fixing the holder, take out the light strip and press it in.



- ⊙ It is recommended to install the light strip 5cm above the wall surface to obtain the best lighting effect;
- ⊙ It is recommended to use M4 self tapping screws to fix the holder;
- ⊙ 4PCS holders for conventional 1M light strip

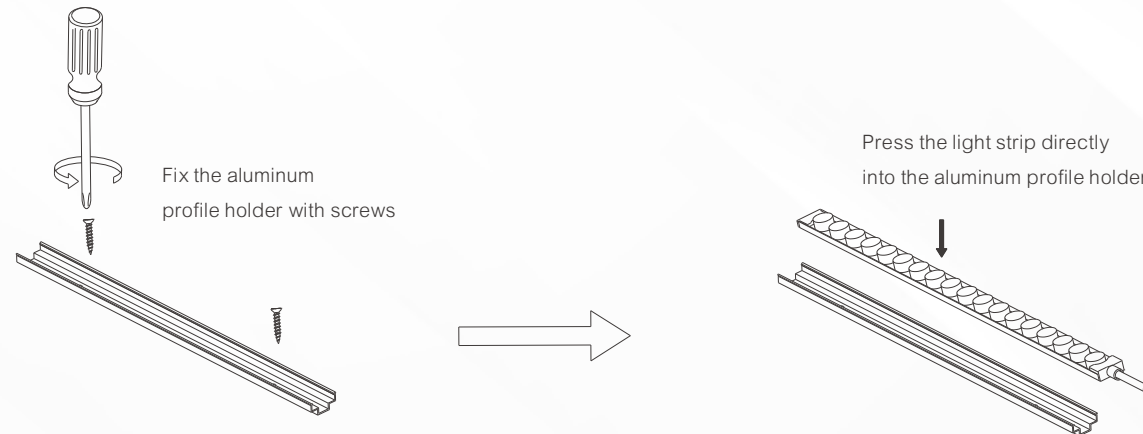


Installation Diagram II

- (1) Locate and install on the wall to be installed;
- (2) At the installation position, fix the aluminum profile holder with screws;
- (3) After fixing the aluminum profile holder, take out the light strip and press it in.



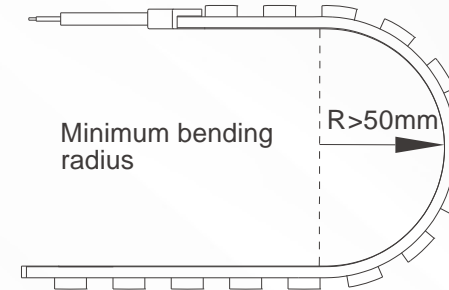
- ⊙ It is recommended to install the light strip 5cm above the wall surface to obtain the best lighting effect;
- ⊙ It is recommended to use M4 self tapping screws to fix the holder;



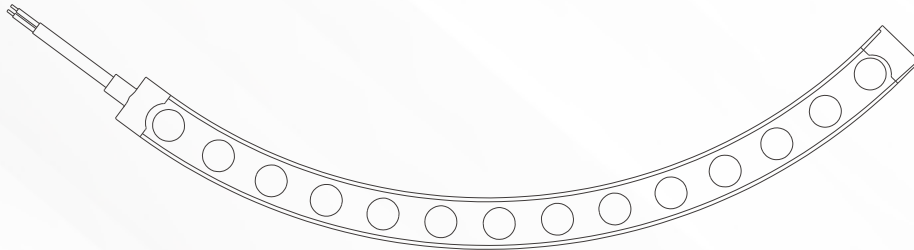
BENDING DIRECTION AND BENDING RADIUS



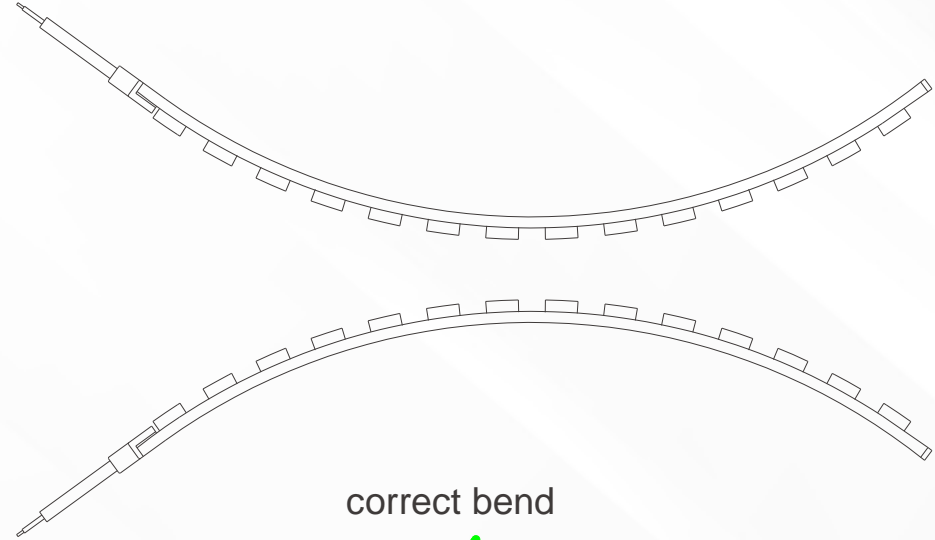
✘
Wrong bend



correct bend



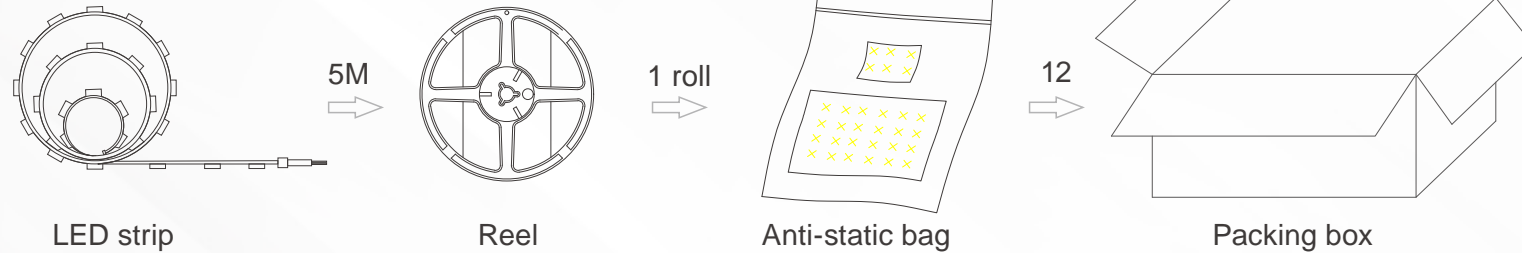
✘
Wrong bend



correct bend



PACKAGING INFORMATION



Model	SC-2835-07-DT-XX-24-42-18-YY
Qty. /Roll(m)	5
Qty./Carton(Roll)	12
Total Qty(m)	60
G.W(Kg)	12.8Kg
Size(mm)	370*370*375mm



INSTALLATION REQUIREMENT

- The light strip and other accessories cannot be pressed;
- Do not damage the conducting wire of the circuit board during installation;
- The installation of the light strip should be in accordance with the electrical safety standards. Only professional personnel can install it;
- Ensure that the power supply is loaded by transformer conversion;
- When installed in contact with metal or conductor, insulation protection should be made at the contact place;
- Observe the polarity before installing, connect properly to prevent damage to the light strip;
- Please prevent static discharges when installing;
- Working temperature is -20°C~40°C.