

DL Series LED Downlight

3RDL65/4RDL65/6RDL65/8RDL65



Features

- IP65 waterproof structure, you can install it to most wet location, like outdoor corridor, bathroom, ceiling of pookpak, saunas etc
- UGR<19, anti-glare design to efficiently reduce glare and create comfortable lighting environment
- Good heat dissipation with aluminum alloy body, led feet temperature lower than 80° and improving the lamp service life.
- Family housing exterior design and full size offer, support 3inch,4inch,6inch,8inch, meet most projects installation requirements.
- Separate design of power supply and lamp body, easy disassembly and replace by customized power supply without any tools.
- High output COB led, led spectrum excluding infrared ray and uv to protect the illuminated objects

Application

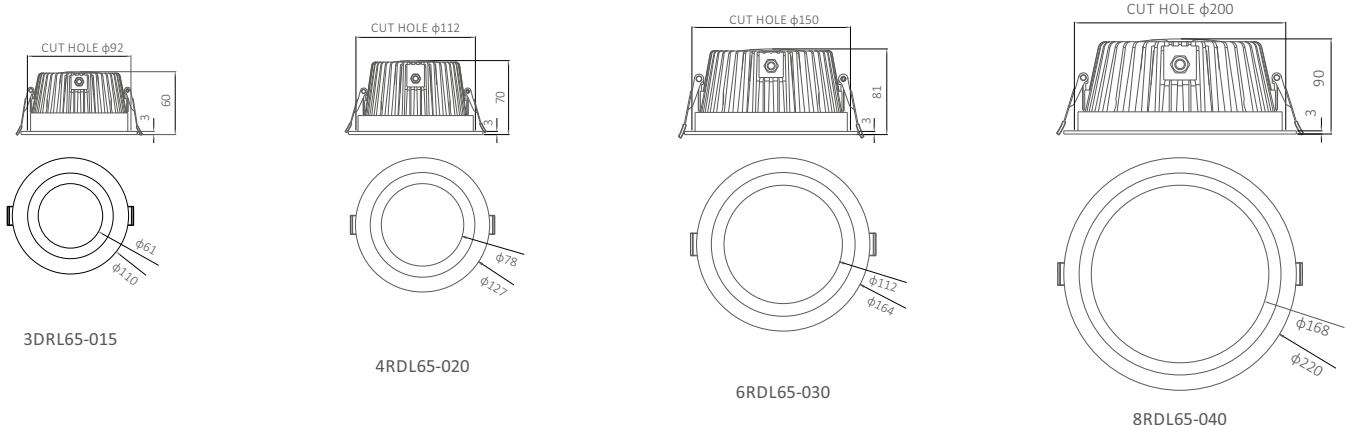
- Mainly applicable in factories, hotels, home renovation, department stores and exhibition rooms, etc.



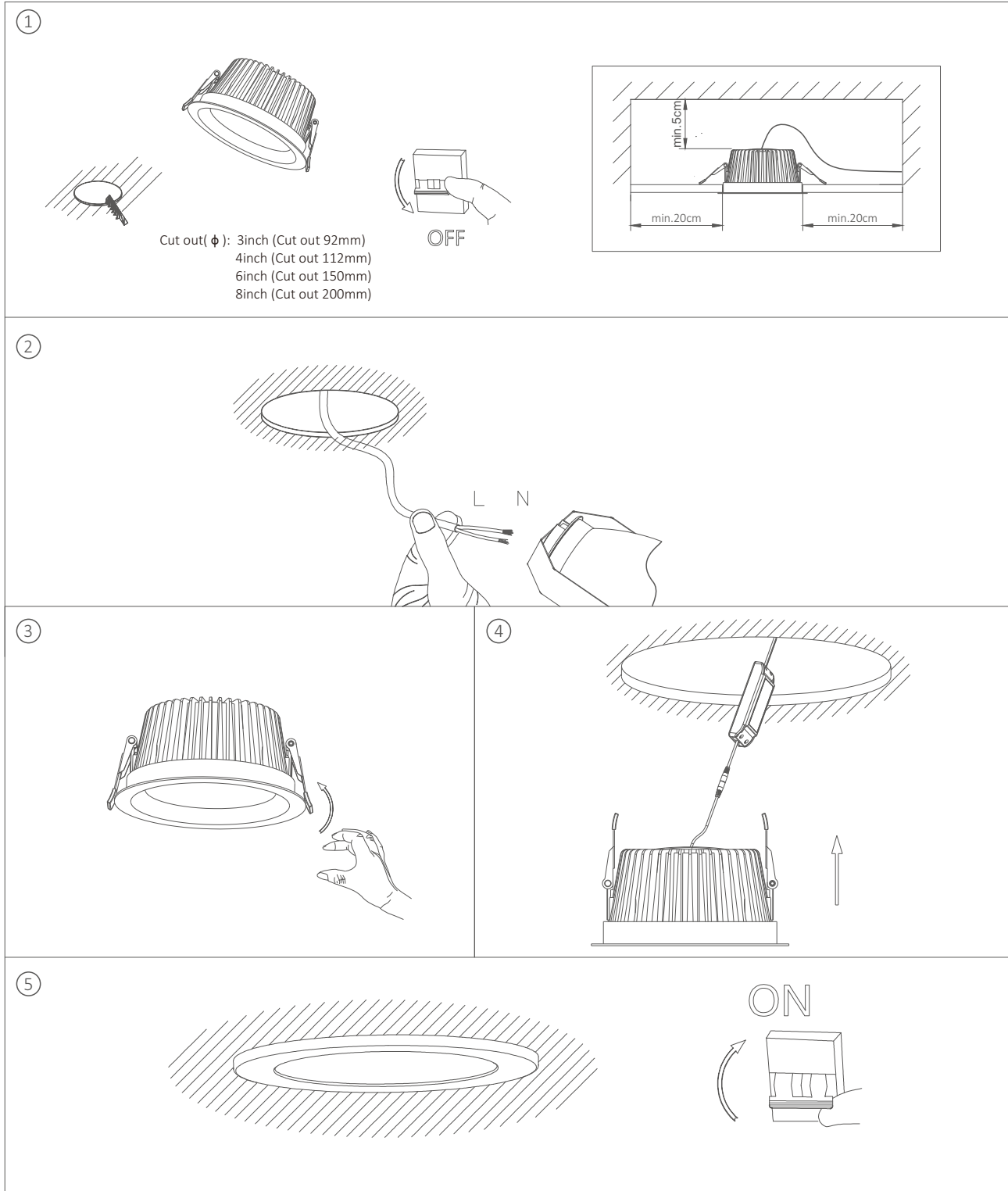
Technical parameters

Model	CCT	Lumen (± 10%)	Power	Beam angle	LED Type	Volatge	Frequency	UGR	CRI	PF
3RDL65-015-R830K-01	3000K	1260lm	15W	60°	COB	220-240V AC	50/60Hz	<19	>80	≥0.9
3RDL65-015-R840K-01	4000K	1360lm								
3RDL65-015-R850K-01	5000K	1420lm								
4RDL65-020-R830K-01	3000K	1800lm	20W							
4RDL65-020-R840K-01	4000K	1820lm								
4RDL65-020-R850K-01	5000K	1840lm								
6RDL65-030-R830K-01	3000K	2740lm	30W							
6RDL65-030-R840K-01	4000K	3100lm								
6RDL65-030-R850K-01	5000K	2920lm								
8RDL65-040-R830K-01	3000K	3790lm	40W							
8RDL65-040-R840K-01	4000K	4210lm								
8RDL65-040-R850K-01	5000K	4060lm								

Dimensions (unit: mm)

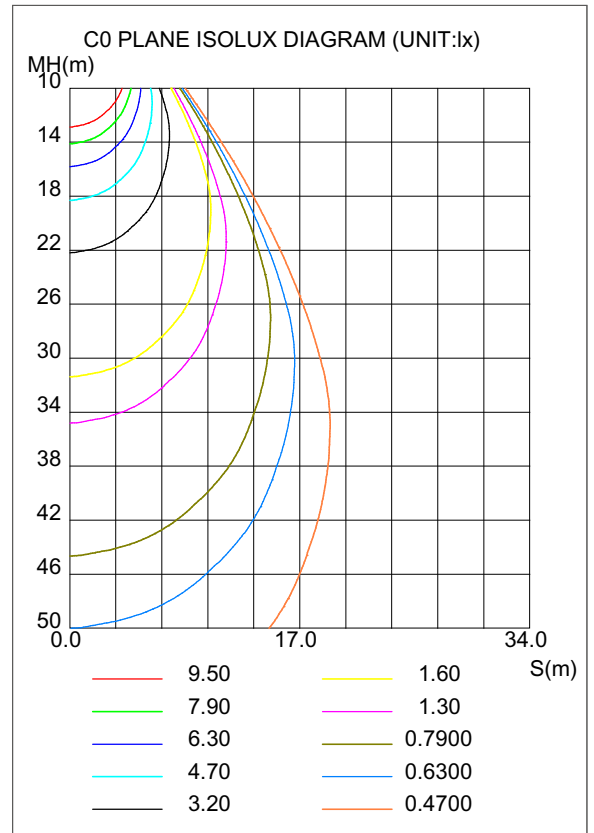
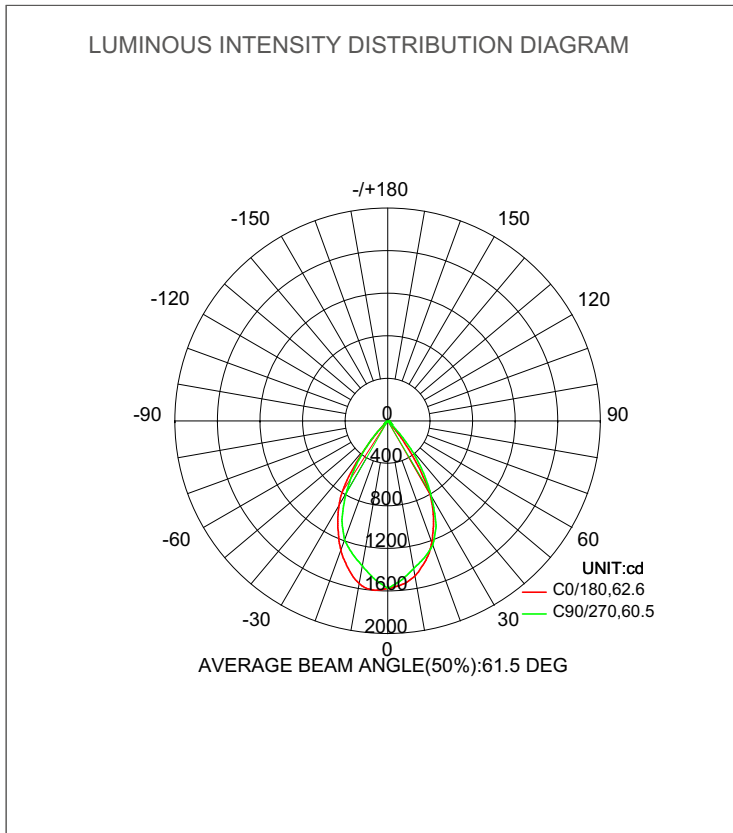


Installation drawing

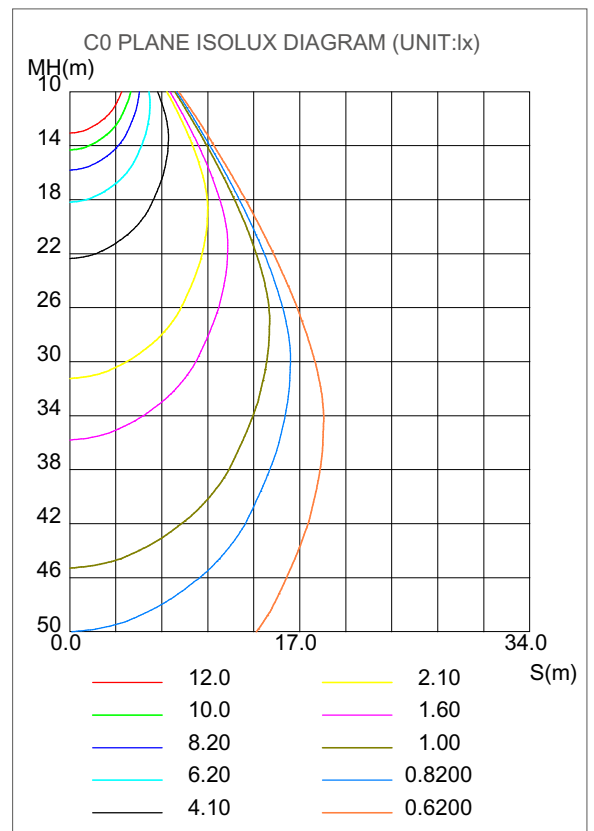
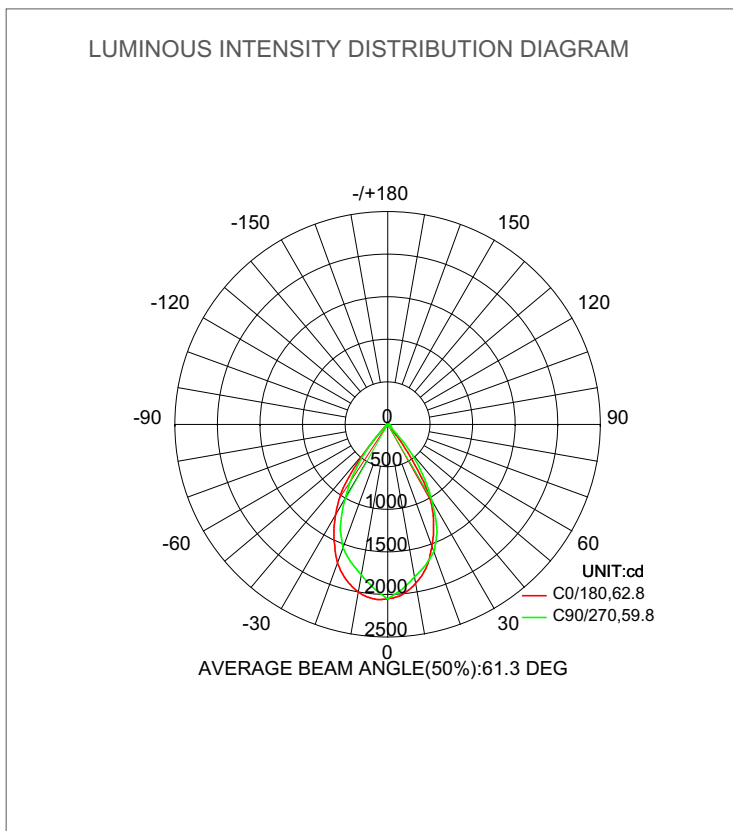


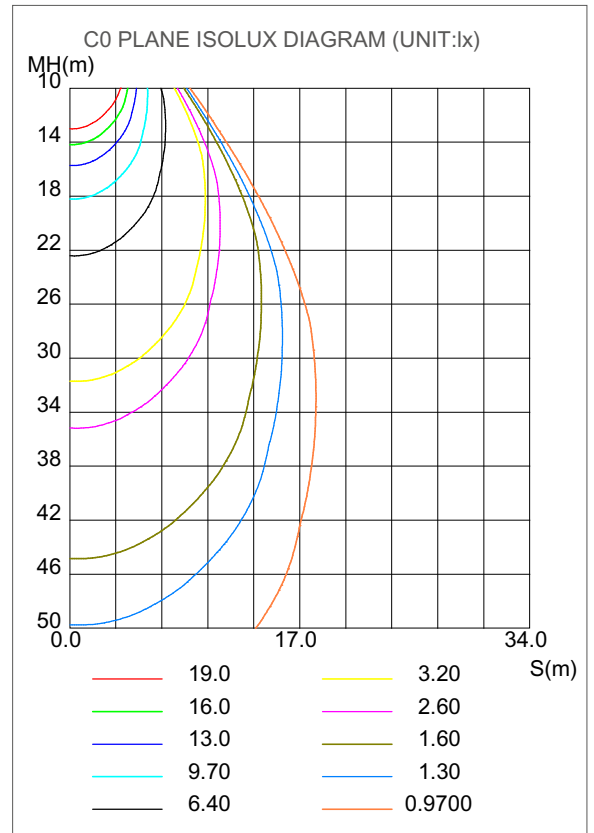
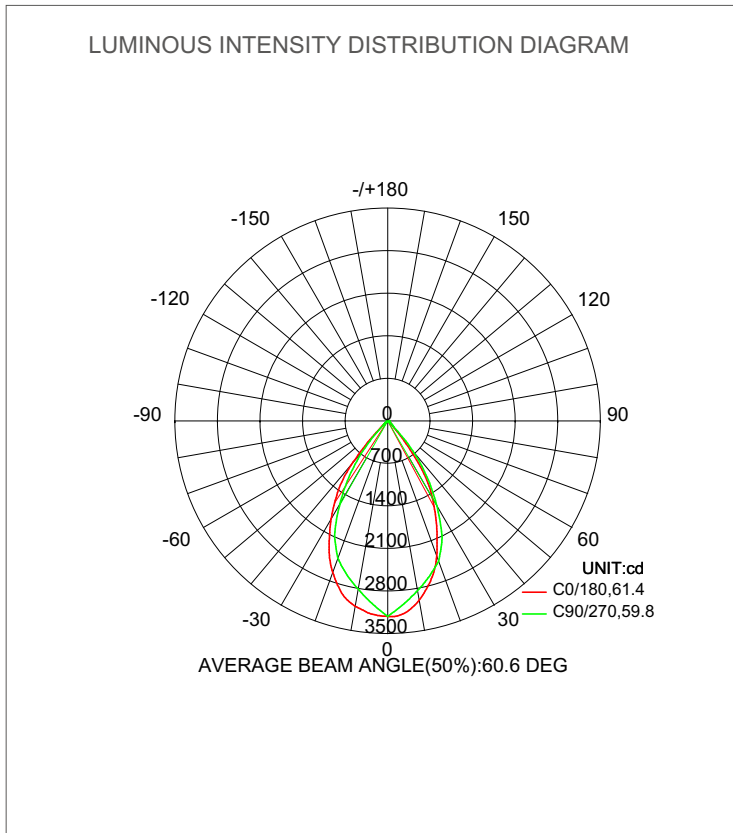
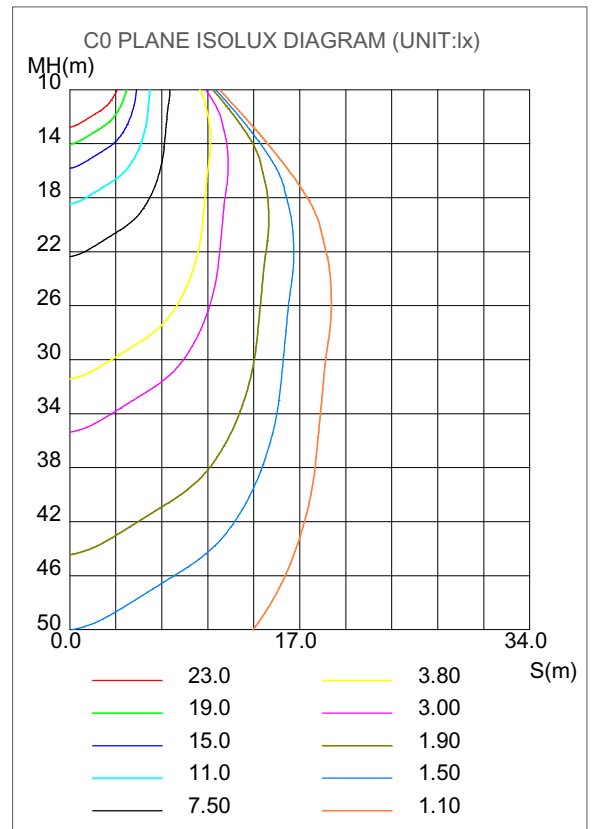
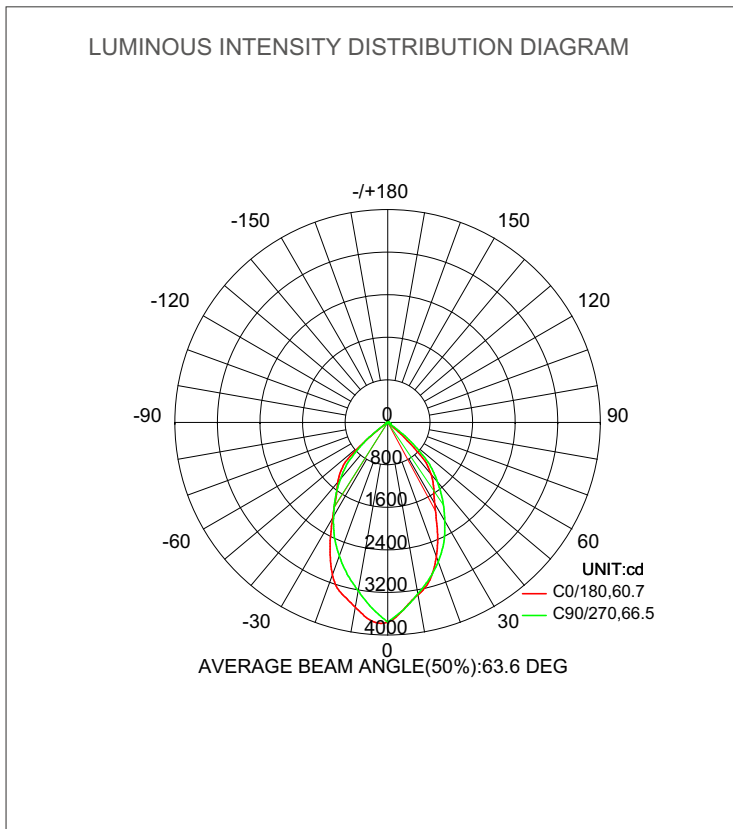
Test Report

3RDL65-015-R850K-01



4RDL65-020-R850K-01



6RDL65-030-R850K-01

8RDL65-040-R850K-01


Packaging information

Model	Inner box dimension	Carton box dimension	Unit net weight	Packing qty.	Carton box gross weight
3RDL65-015	144*130*78mm	405*302*328mm	0.42KG	24PCS	12.1Kg
4RDL65-020	162*148*85mm	460*316*336mm	0.55KG	24PCS	15.5Kg
6RDL65-030	224*204*98mm	611*396*315mm	0.91KG	18PCS	19.3Kg
8RDL65-040	258*250*114mm	534*516*360mm	1.46KG	12PCS	20.8Kg

Notice



- Please read the product specification carefully first to confirm that the use environment is in line with the condition on the specification before it is used.
- Please confirm the applicable power supply before use.
- When the product is connected with power supply, ensure that the switch is at the disconnected state to prevent electric shock.
- Operation against the rules may destroy your articles, or even endanger your personal safety.
- Make preliminary calculation for the quantity of light and then calculate the total power according to frequency of single light. Design the power distribution scheme.
- Dangerous high voltage. Non professional personnel should not repair.
- If the external wire of the light is damaged, it should be replaced by manufacturer or service agent or personnel with similar qualification to avoid danger.
- Common sense for handling: avoid impact or press the product with heavy objects. Handle with care during the transportation and installation process.



Yijia Industrial Park, Fuqian Road, Guanlan Town, Longhua, Shenzhen, Guangdong, China

Tel:+86-755-27608650
 Fax:+86-755-27608651
www.signcomplex.com
sales@signcomplex.com