



HAT 4" 5-6" LED Retrofit Downlight



4 inch(smooth)



5-6 inch(smooth)



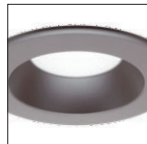
4 inch(baffle)



5-6 inch(baffle)



White



Bronze



LM80



Description

HAT 4" and 5-6" recessed mount downlight for 120V AC ,available triac dimmable and no dimming, HAT 5-6" downlight can fit 5" & 6" downlight housings,can replace of most 5" and " recessed downlights, HAT 4" downlight can fit 4" downlight housings only,can replace of most 4inch recessed downlights, this product is ideal for use in many residential and light commercial applications with E26 base .

Features

1. Adopt spinning aluminum as heat sink;
2. Unique appearance, beautiful design and gorgeous;
3. Excellent thermal management to ensure long lifetime of LED;
4. High efficiency and energy-saving LED dirver;
5. Triac dimmable / non dimming.

Dimming Information

This product is suitable for use in dimming circuit. For 5-100% light control, use with a compatible dimmer. Compatible dimmers include most standard dimmers, such as Lutron :SCL-153P,CTCL-153P,DVCL-153P,MACL-153M.



Technical parameters

In the following model: B-baffle,D-dimming

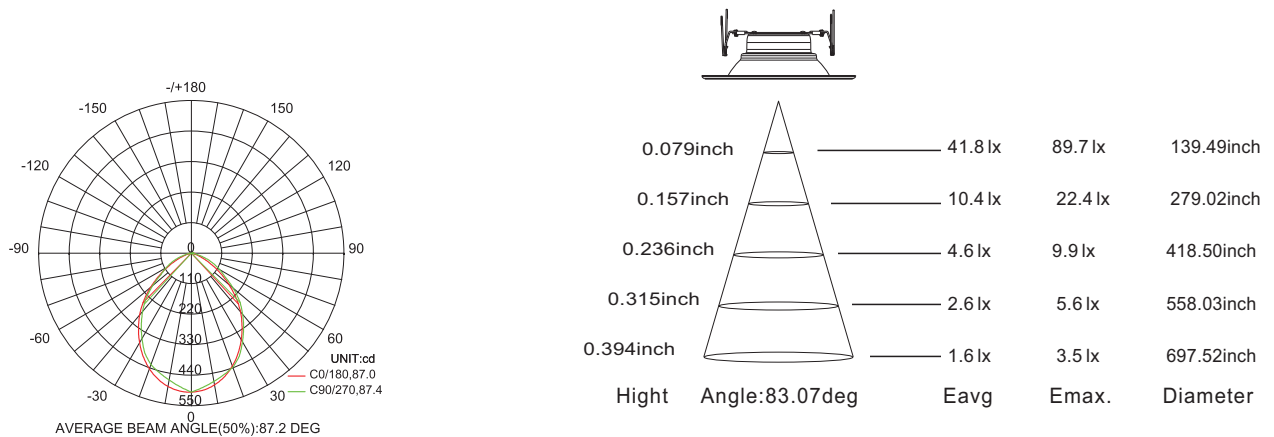
Model	CCT	Color	Lumen(lm) (±10%)	Beam (angle)	LED Type /Qty.	Power(w) (±10%)	Voltage, Frequency	CRI	PF	Dimming Type
HTL4-010-AL-927K-01(B)D	2700K	Warm white	600	85	2835/21	10W	AC120V/60Hz	90	>0.8	Dimming/ non dimming
HTL4-010-AL-930K-01(B)D	3000K	Warm white	610	85	2835/21	10W	AC120V/60Hz	90	>0.8	Dimming/ non dimming
HTL4-010-AL-940K-01(B)D	4000K	Neutral white	700	85	2835/21	10W	AC120V/60Hz	90	>0.8	Dimming/ non dimming
HTL4-010-AL-950K-01(B)D	5000K	White	700	85	2835/21	10W	AC120V/60Hz	90	>0.8	Dimming/ non dimming
HTL6-015-AL-927K-01(B)D	2700K	Warm white	1000	85	2835/42	15W	AC120V/60Hz	90	>0.8	Dimming/ non dimming
HTL6-015-AL-930K-01(B)D	3000K	Warm white	1020	85	2835/42	15W	AC120V/60Hz	90	>0.8	Dimming/ non dimming
HTL6-015-AL-940K-01(B)D	4000K	Neutral white	1050	85	2835/42	15W	AC120V/60Hz	90	>0.8	Dimming/ non dimming
HTL6-015-AL-950K-01(B)D	5000K	White	1100	85	2835/42	15W	AC120V/60Hz	90	>0.8	Dimming/ non dimming

Application

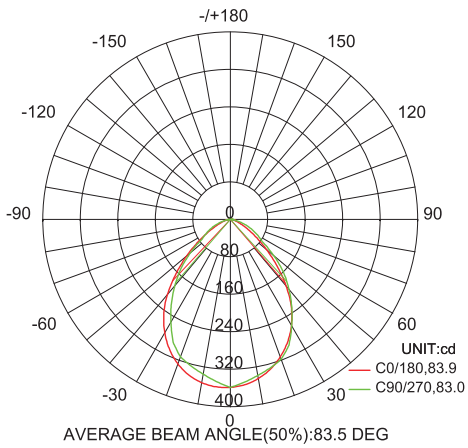
Suitable for hotel, corridor, home decoration, shopping mall, exhibition room, etc.



Test Report



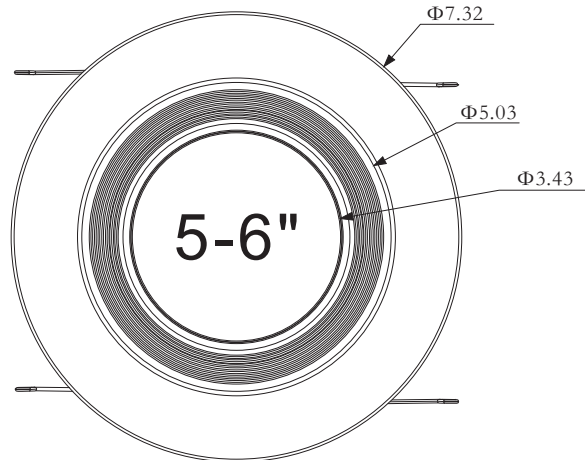
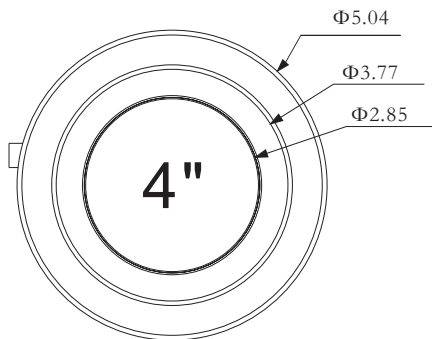
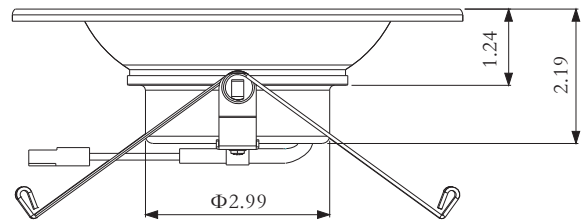
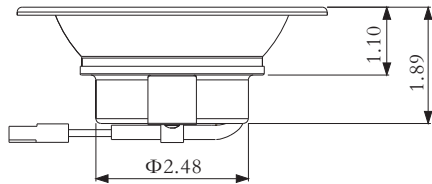
HTL6-015-AL-940K



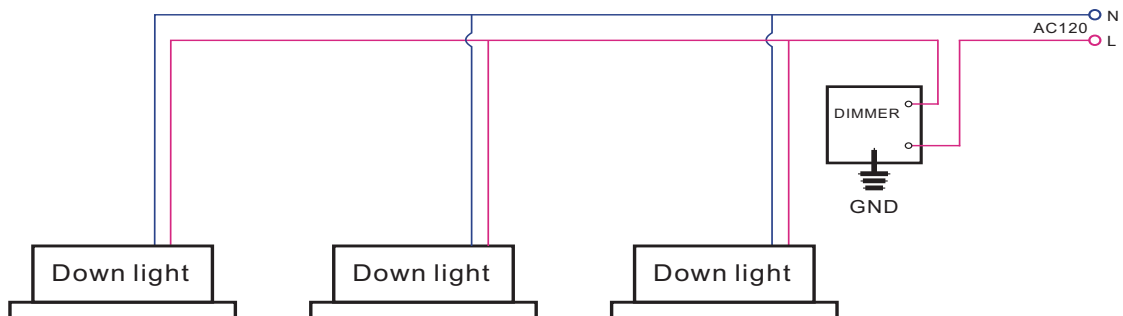
Height	Angle:86.96deg	Eavg	Emax.	Diameter
0.079inch		54.9 lx	125.2 lx	149.33inch
0.157inch		13.7 lx	31.3 lx	298.70inch
0.236inch		6.1 lx	13.9 lx	448.03inch
0.315inch		3.4 lx	7.8 lx	597.40inch
0.394inch		2.2 lx	5.0 lx	746.73inch

HTL4-010-AL-940K

Dimensions (Unit: inch)

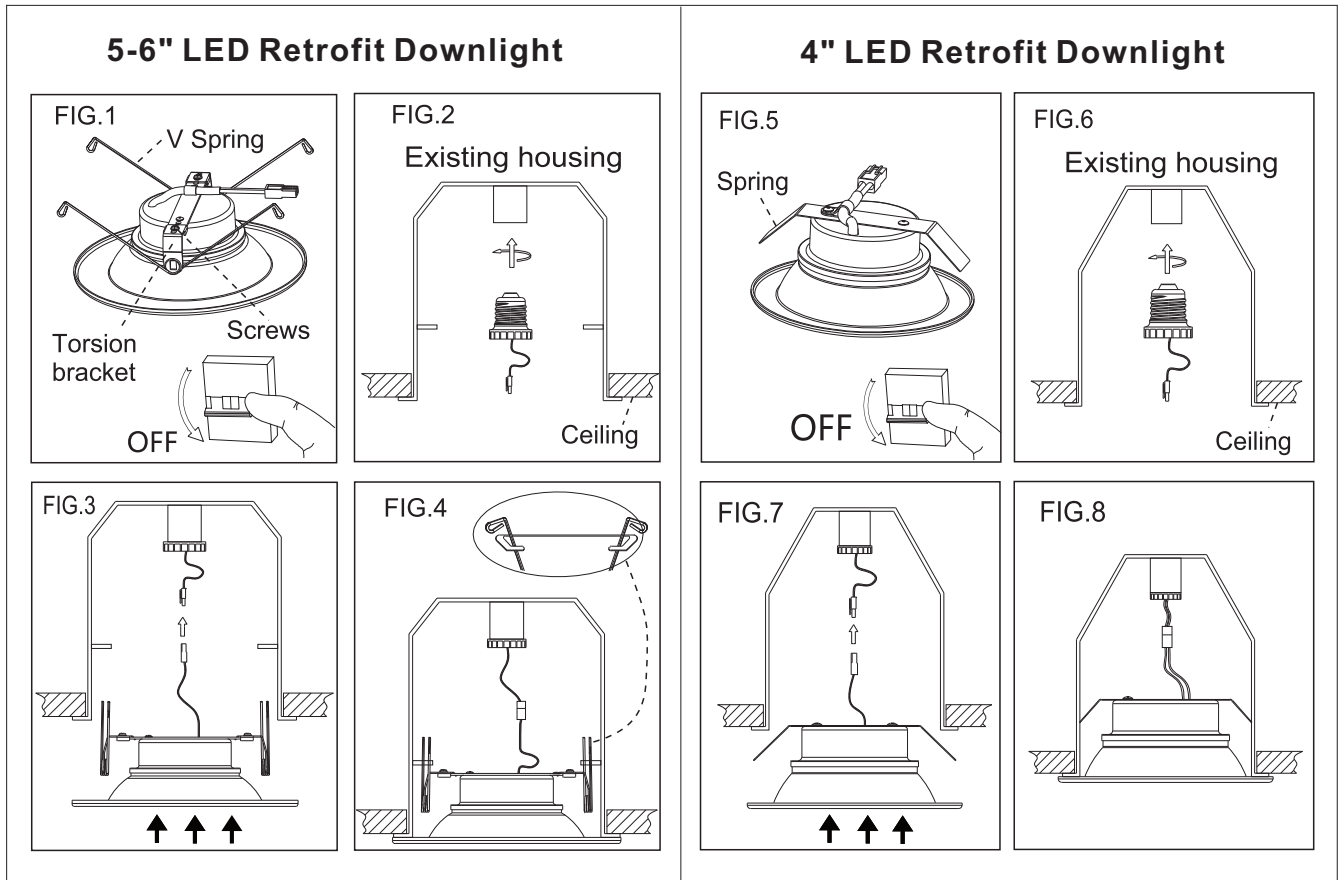


Electrical Connection:





Installation drawing



Packing information(intnal dimension,unit :inch):

Specification	Inner box dimension	Unit net weight	Carton box dimension	Packing qty.	Carton box gross weight
HTL4 (4")	5.24*2.21*5.24	0.13KG	11.81*10.83*11.22	20PCS	5.0Kg
HTL6 (5-6")	7.60*2.44*7.60	0.19KG	15.75*13.00*15.94	20PCS	6.5Kg

! WARNING

- "WARNING - Risk of fire or electric shock. LED Retrofit Kit installation requires knowledge of luminaires electrical systems. If not qualified, do not attempt installation. Contact a qualified electrician." or equivalent in Format S24-L5.
- "WARNING - Risk of fire or electric shock. Install this kit only in luminaires that have the construction features and dimensions shown in the photographs and/or drawings and where the input rating of the retrofit kit does not exceed the input rating of the luminaire." or equivalent in Format S24-L5.
- "Do not make or alter any open holes in an enclosure of wiring or electrical components during kit installation." Verbatim in Format S24-L5.
- "WARNING - To prevent wiring damage or abrasion, do not expose wiring to edges of sheet metal or other sharp objects." or equivalent in Format S24-L5.
- "This product must be installed in accordance with the applicable installation code by a person familiar with the construction and operation of the product and the hazards involved" or equivalent in Format S24-L4.