



GLB-AW-TWL-DH02

LED GROW LIGHT



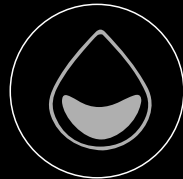
DESCRIPTION



High Efficiency



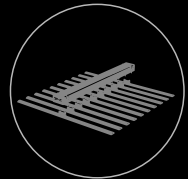
Full Spectrum



Damp Location



0-10V Dimming



Removable



0 DB noise



Life Span



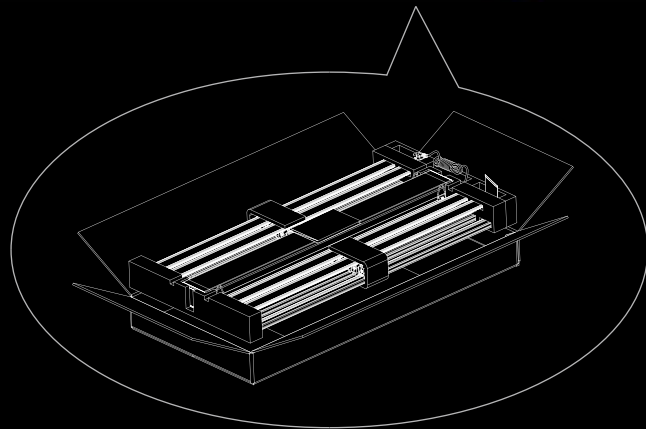
5 Years Warranty

The GLB Series are electronic horticultural LED fixture with 5/6/10 LED light bars to be used in greenhouses or in climate-controlled rooms.



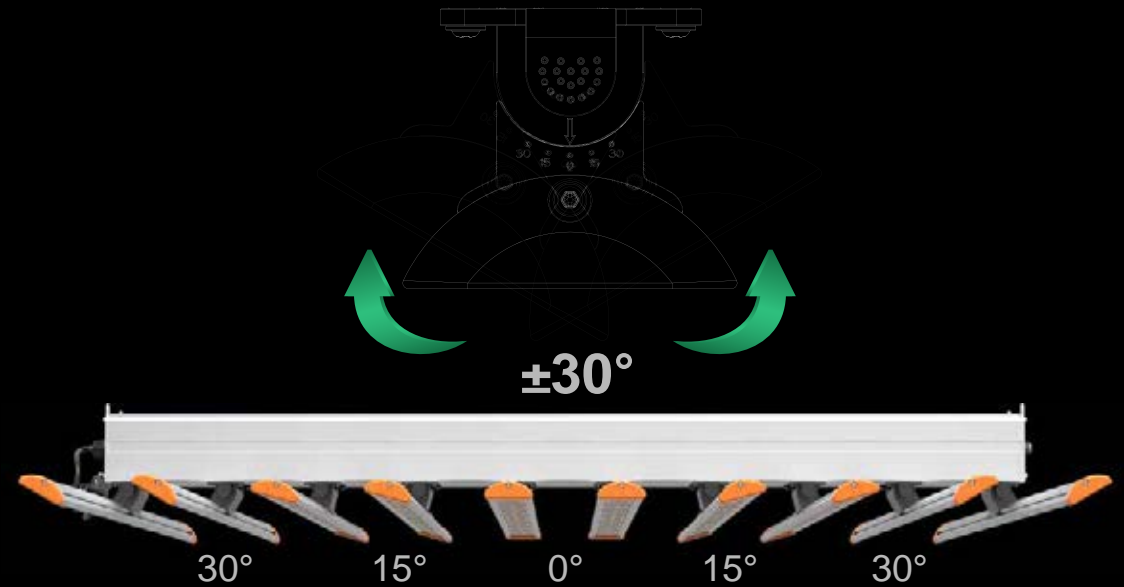
FEATURES

01 The product is detachable, no need tools to replace the light source module.



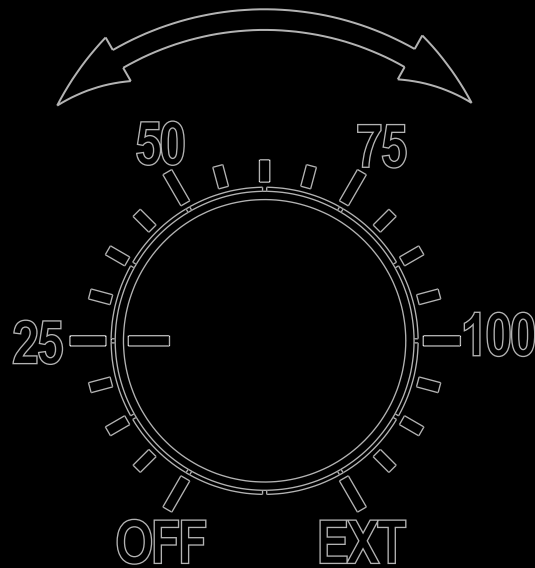
Small volume
saving the
transportation cost

02 The adjustable angle of each light source module is $\pm 30^\circ$ degrees, which is convenient for customers to adjust the secondary light distribution, increase the effective irradiation area and PPFD, and improve the utilization efficiency of the light source.



02. Intelligent brightness adjustment

Light intensity can be adjusted according to the growth needs of plants in different periods (40-100% six-level dimming)



Brightness:
40%

Brightness:
40%

Brightness:
50%-60%

Brightness:
80%-100%

Brightness:
100%



Germination



Seedling



Growing



Flowering



Fruiting

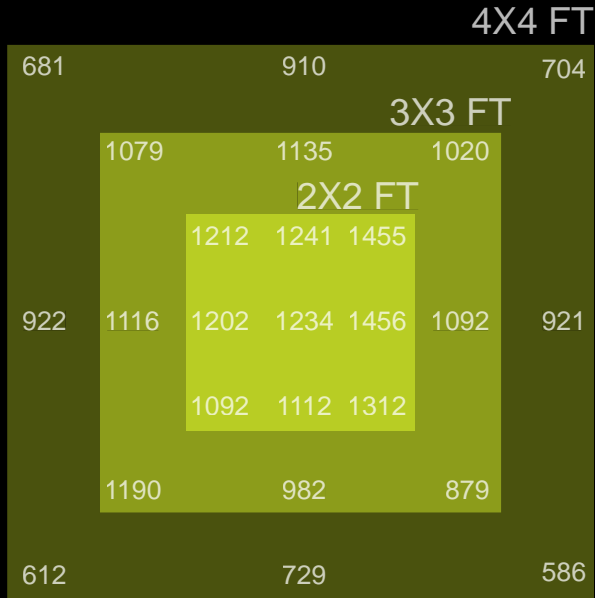
APPLICATION

The product can be used in greenhouses or in climate-controlled rooms.

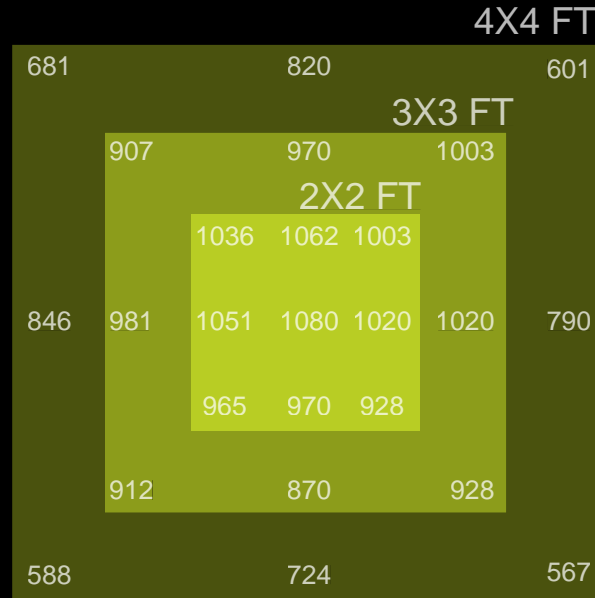


640W PFD Parameter

HEIGHT OF 12"



HEIGHT OF 18"



HEIGHT OF 24"



MORE INFORMATION ABOUT UV&IR

- UV can increase yield. But it will also shorten lifespan of silicon and plastic parts on LED, so we do not suggest to add UV diodes in the fixtures, we suggest to make it as single UV bar.
- IR is used for control the process of growing with 730nm, we can add it in fixture if you need.

Stages of plant growth	 Propagation & Cuttings 14 Days	 Vegetative Growth 21+ Days Depending on strategy	 Veg-to-Flower Transition 3-7 Days	 Flowering 8-10 Weeks Including transition and depending on cultivar	 Stock Plants (mothers) Slow Growth	 Stock Plants (mothers) Rapid Growth
Avg. Light Intensity Measured in $\mu\text{mol m}^{-2} \text{s}^{-1}$	150-200	200 Increasing gradually to 450-550 over 21 days	450-550 Increasing to 700-800	700 - 800	350-450	500-600
Photoperiod Hours of light	18	18	12	12	18	18
Ambient Room Temp. (Day)	70-72 °F 21-23 °C	80-85 °F 26-29 °C	80-85 °F 26-29 °C	80-85 °F 26-29 °C	70-75 °F 21-24 °C	80-85 °F 26-29 °C
Ambient Room Temp. (Night)	60-70 °F 16-21 °C	70-75 °F 21-24 °C	70-75 °F 21-24 °C	70-75 °F 21-24 °C	65-70 °F 18-21 °C	70-75 °F 21-24 °C
Ambient Relative Humidity (Day)(RH)	100% until rooted, within 4-7 days, then vent to 80%	75-80% (early) 55-67% (mid/ late veg)	55-67%	55-67% (early) 50-62% (mid/ late flower)	50-60%	55-67%
Ambient Relative Humidity (Night)	Same as daytime, see "Propagation" section below for more information	75-80% (early) 55-67% (mid/ late veg)	55-67%	55-67% (early) 50-62% (mid/ late flower)	50-60%	55-67%
CO2 Enrichment	-	1200-1500	1200-1500	1200-1500	0	1200-1500

Technical parameters

Model	GLB-640-AW-TWL-DH02	GLB-720-AW-TWL-DH02	GLB-1000-AW-TWL-DH02
Spectrum	PhysioSpec Indoor™		
Light Output PPF	1720±50µmol/s	1940±50µmol/s	2700±100µmol/s
Efficacy	2.7 µmol/J @ 277 AC		
AC Input Power	635W @ 277V AC	715W @ 277V AC	985W @ 277V AC
AC Input Voltage	120-277V AC, 50/60Hz	120-277V AC, 50/60Hz	200-277V AC, 50/60Hz
Light Distribution	120°		
Mounting Height	6" - 12" (15.2-30.5cm) Above Canopy	6" - 12" (15.2-30.5cm) Above Canopy	6" - 12" (15.2-30.5cm) Above Canopy
Thermal Management	Passive		
Max. Ambient Temperature	95°F / 35°C		
Dimming	10 V-Source		
Total Harmonic Distortion (THD)	< 10%		
Product Dimension	L1225 *W1200 *H143mm	L1225 *W1200 *H143mm	L1225 *W1200 *H143mm
Item Weight	10Kg	12Kg	16Kg
Lifetime	L90: > 50,000hrs		
Certifications	UL 8800, FCC, Damp Location, DLC		
Warranty	5-Year Standard Warranty		

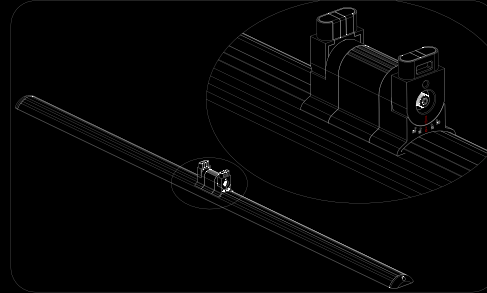
Technical parameters

Model	GLB-640-AW-TWL-D02	GLB-720-AW-TWL-D02	GLB-1000-AW-TWL-D02
Spectrum	PhysioSpec Indoor™		
Light Output PPF	1530±50µmol/s	1720±50µmol/s	2400±100µmol/s
Efficacy	2.4 µmol/J @ 277 AC		
AC Input Power	635W @ 277V AC	715W @ 277V AC	985W @ 277V AC
AC Input Voltage	120-277V AC, 50/60Hz	120-277V AC, 50/60Hz	200-277V AC, 50/60Hz
Light Distribution	120°		
Mounting Height	6" - 12" (15.2-30.5cm) Above Canopy	6" - 12" (15.2-30.5cm) Above Canopy	6" - 12" (15.2-30.5cm) Above Canopy
Thermal Management	Passive		
Max. Ambient Temperature	95°F / 35°C		
Dimming	10 V-Source		
Total Harmonic Distortion (THD)	< 10%		
Product Dimension	L1225 *W1200 *H143mm	L1225 *W1200 *H143mm	L1225 *W1200 *H143mm
Item Weight	10Kg	12Kg	16Kg
Lifetime	L90: > 50,000hrs		
Certifications	UL 8800, FCC, Damp Location, DLC		
Warranty	5-Year Standard Warranty		

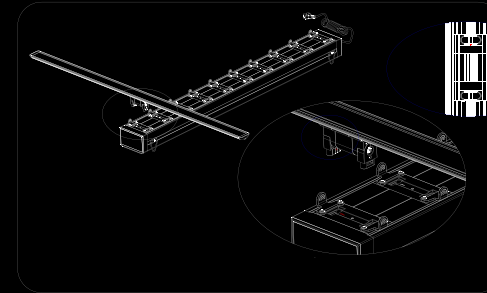
INSTALLATION



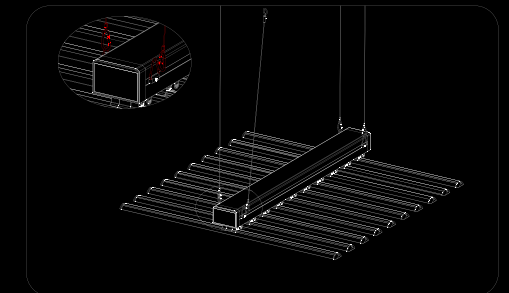
1. Check the accessory quantity, and visually check whether they are damaged in the transit, start to install after confirmation



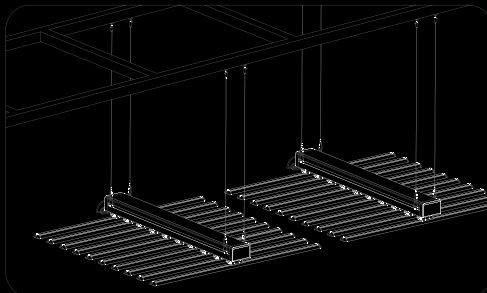
2. Rotate the two plug components on the back of the lighting module to the 0-scale position, such as the red mark



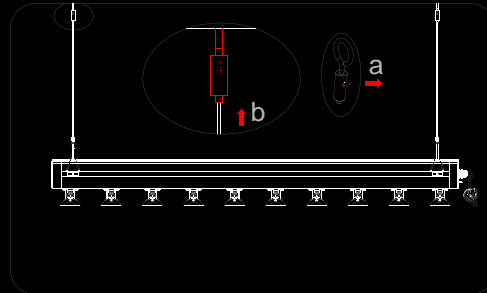
3. Insert the lighting module into the driver body. Notes: If one end of the lamp body plug has an anti misinsertion bump (such as the red mark at the blue circle), it needs to be in the same direction as the arrow at the red mark. If there is no anti misinsertion bump, it is not necessary to distinguish the direction. The lighting module can also be inserted after the driver body is suspended.



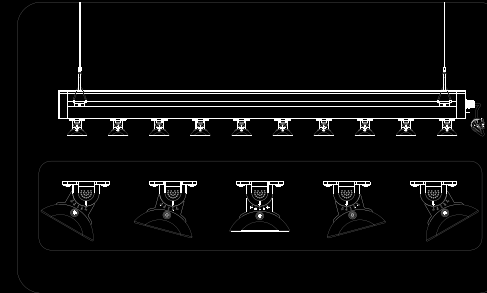
4. Fasten the installation hanging rope into the hanging ring of the driver body. For example, at the red mark, you can also complete the hanging of the top of the hanging rope first and then buckle it into the hanging ring of the driver body



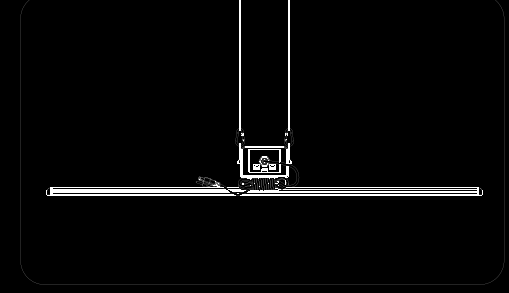
5. Hang the lamp on the mounting hanger



6. Hang the lamp on the mounting hanger
a. Pull the rope head upwards to shorten the sling, and it will automatically lock after stopping the pulling
b. Press up to the end to unlock the buckle
 The sling can slide up and down freely, pay attention to the risk of falling, and do not unlock multiple adjusters at the same time

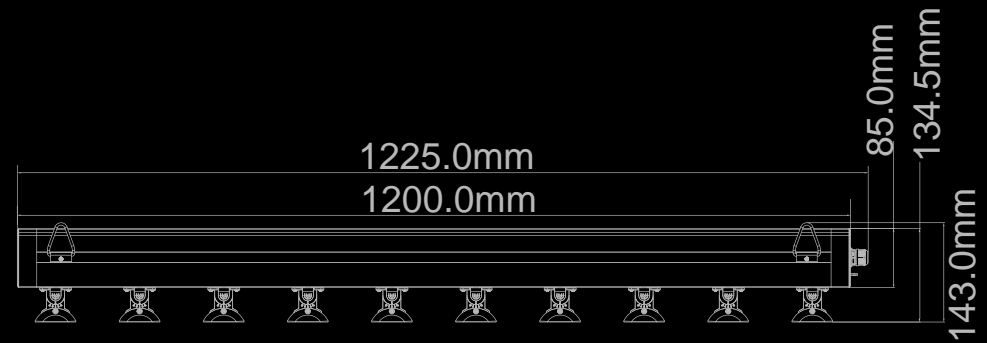
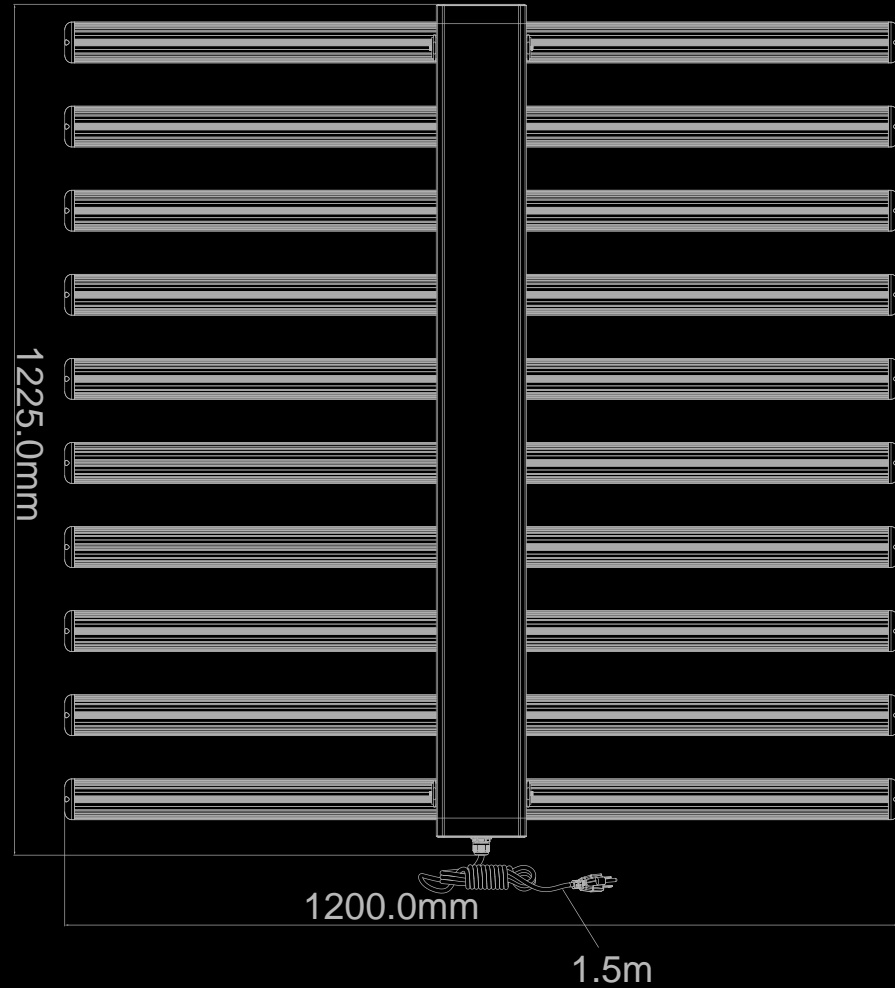


7. Rotate the lighting module to the suitable beam angle, each lighting module can be rotated freely to ± 30 degree

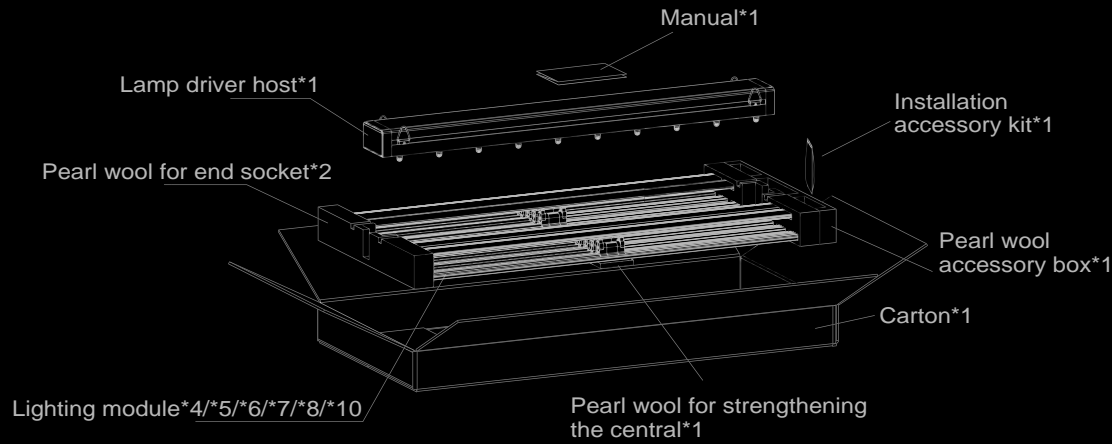


8. Connect the AC input wire to the power supply socket, and the control interface can be connected in series to realize an online group if needed

DIMENSIONS (Unit:mm)



Package information



Module Qty.	Carton size	PCS	Net weight	Gross weight
5 modules	1300*480*135mm	5 modules	9.5Kg	11.5Kg
6 modules	1300*480*135mm	6 modules	10.5Kg	12.5Kg
10 modules	1300*640*135mm	10 modules	16.0Kg	18.5Kg

Warning! CONNECTING THE LED FIXTURE TO THE MAINS

- 1: Mounting and installing of the LED fixture may only be executed by certified service personnel, in accordance with the applicable local laws and regulations.
- 2: The installer is responsible for correct and safe installation.
- 3: Avoid coiled cords and keep mains leads separated. This prevents electromagnetic interference.
- 4: Make sure mains power is switched off before connecting the light fixture.
- 5: Caution! Ensure the cord is not coiled and does not touch any hot surfaces.
- 6: Connect the cables according to local rules, safety regulations and electrical code.
- 7: Ensure the external switching gear can cope with the inrush of electric current of the LED fixture. Always use a double pole contactor that is suitable for switching a capacitive load.
- 8: Do not connect or disconnect the LED fixture under load.