



ELE COB LED Downlight



Features:

1. Use die-casting aluminum alloy as main-body material.
2. Adoption of Shinland efficient reflection cup + lens. The light spot is evener without overlapped light spots. .
3. Unique and beautiful looking design,Beautiful surface treatment with texture.
4. Good heat dissipation performance guarantee the long life span,Small size and large power.
5. Use external LED driver to make sure low heat dissipation and longer lifetime of LED source,
driver brand : Signcomplex, Philips, Osram, Tridonic and so on..
6. Can replace traditional downlight.

Application:

Shop lighting, hotel, museum, show room, public lighting....



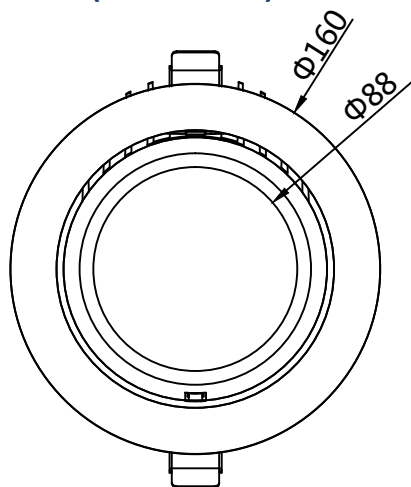


Specification:

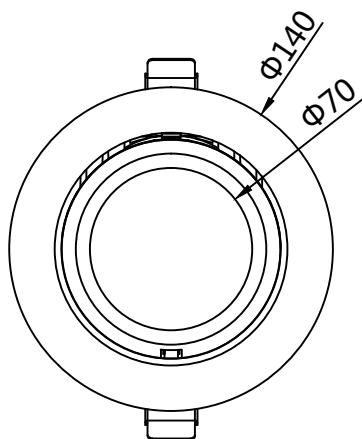
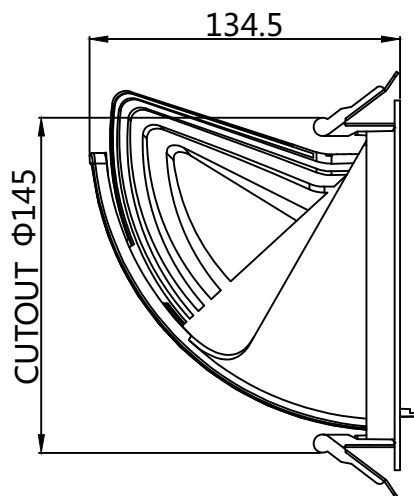
Model	CCT	Color	Lumen(lm) (±10%)	LED Type	LED Qty.	Power(w) (±10%)	Voltage, Frequency	Beam (angle°)	CRI	PF
EDL4-012-AW-W-02	5000K	White	1080	COB	1pcs	12	AC100-240V 50/60Hz	24°	> 80	≥0.9
EDL4-012-AW-NW-02	4000K	Neutral White	1060							
EDL4-012-AW-WW-02	3000K	Warm White	1050							
EDL4-012-AW-W-03	5000K	White	1030	COB	1pcs	12	AC100-240V 50/60Hz	36°	> 80	≥0.9
EDL4-012-AW-NW-03	4000K	Neutral White	1020							
EDL4-012-AW-WW-03	3000K	Warm White	1010							
EDL5-030-AW-W-02	5000K	White	3040	COB	1pcs	30	AC100-240V 50/60Hz	24°	> 80	≥0.9
EDL5-030-AW-NW-02	4000K	Neutral White	2950							
EDL5-030-AW-WW-02	3000K	Warm White	2530							
EDL5-030-AW-W-03	5000K	White	3010	COB	1pcs	30	AC100-240V 50/60Hz	36°	> 80	≥0.9
EDL5-030-AW-NW-03	4000K	Neutral White	2940							
EDL5-030-AW-WW-03	3000K	Warm White	2660							
EDL6-040-AW-W-02	5000K	White	4290	COB	1pcs	40	AC100-240V 50/60Hz	24°	> 80	≥0.9
EDL6-040-AW-NW-02	4000K	Neutral White	4180							
EDL6-040-AW-WW-02	3000K	Warm White	3830							
EDL6-040-AW-W-03	5000K	White	3680	COB	1pcs	40	AC100-240V 50/60Hz	36°	> 80	≥0.9
EDL6-040-AW-NW-03	4000K	Neutral White	4010							
EDL6-040-AW-WW-03	3000K	Warm White	3950							



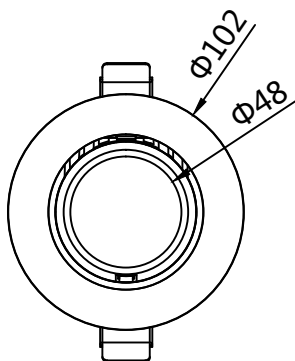
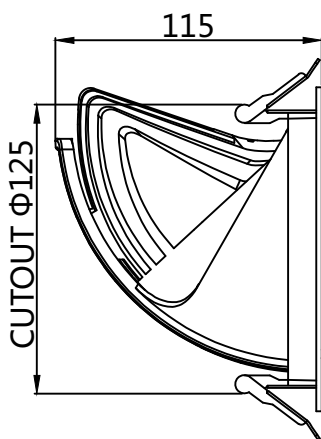
Dimensions(unit:mm):



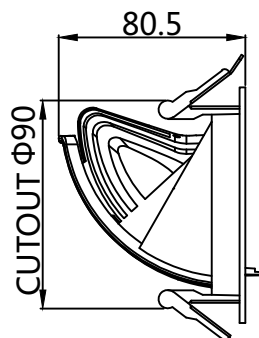
EDL6



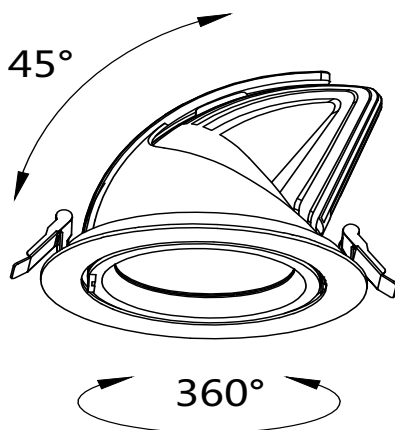
EDL5



EDL4



Special function:





Installation drawing

①

SIZE	4inch	5inch	6inch
CUTOUT	90mm	125mm	145mm

②

③

④

⑤

ON

Packing information:

Size	Packing qty	Inner box dimension	Outer carton dimension	Unit N.W.	Gross weight
EDL4(4")	24PCS	130*130*110mm	550*415*240mm	0.40kg	13.5kg
EDL5(5")	18PCS	162*162*155mm	510*510*335mm	0.80kg	19.0kg
EDL6(6")	18PCS	162*162*155mm	510*510*335mm	1.12kg	24.5kg

Note: These are the inner dimensions. Use no-logo package.



! Notice :

1. Please read the specification first, to make sure the service environment matches the condition in the specification before using.
2. Please confirm the applicable power supply before using.
3. Make sure the switch of product is off before connect to the power supply to prevent electric shock.
4. Operation against rules may damage your property even harm to your personal safety.
5. Preliminarily estimate required quantity of LED lights, then according to the power rating of single LED light to figure out the total power and design power supply plan.
6. Using environment:-20°C to 45°C.
7. Dangerous high voltage, Non-professionals are not allowed to maintain the products.
8. If the exterior flexible cable or wire is damaged, it must exchange by the supplier, its agent or other similar qualified personnels to avoid dangers.