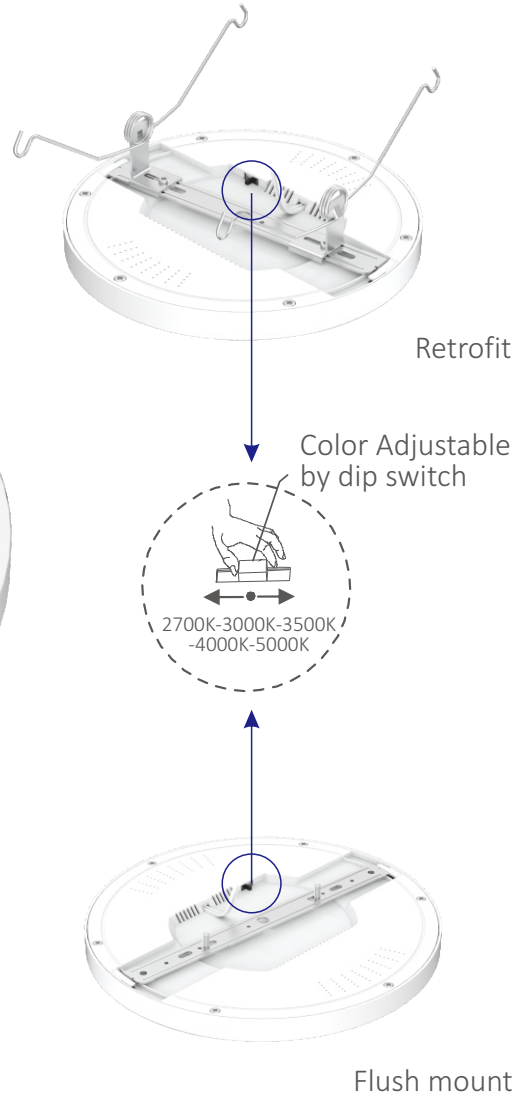


# LED flush mount slim downlight



Color temperature adjustable



## Description

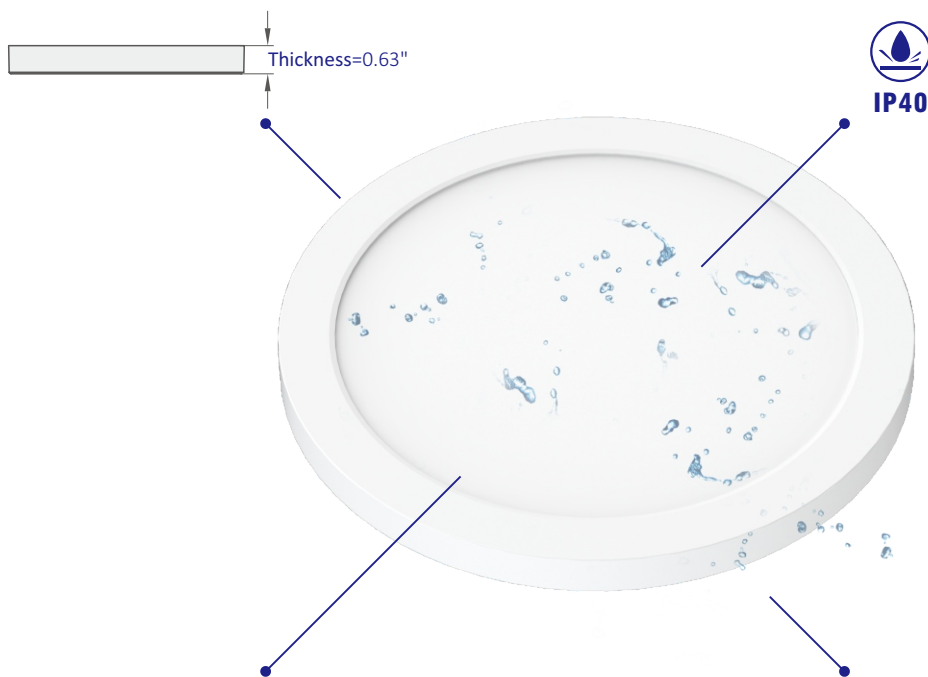
- 4", 6", 8" and 10" four sizes are available, with flush mount and retrofit two installation way. Five-steps color temperatures adjustable, (2700K-3000K-3500K-4000K-5000K)the appearance is simple and beautiful. Soft light, even luminescence and good coloration.

## Features

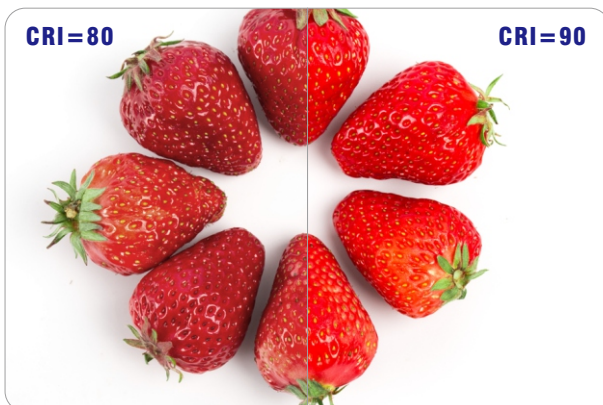
- The materials of the lamp select the combination of aluminum alloy + plastic, good heat dissipation electric shock protection.
- The five-level adjustable color temperature can meet the different requirements for color temperature and facilitate wholesale stocking and retail.
- The plastic shell has fashionable appearance and can be made with different colors according to different customer requirements.
- With twist and lock design, only 3 steps to finish the installation.
- CRI>90, create a comfortable lighting environment.

## The Design for Lamp

- Super slim lamp body, only **0.63** inch.
- Waterproof design, used for **wet location**.



- Edge-lit tech, visual uniformity, **CRI up to 90**.
- Acrylic light guide, laser dotting, no yellowing, **long life time**.



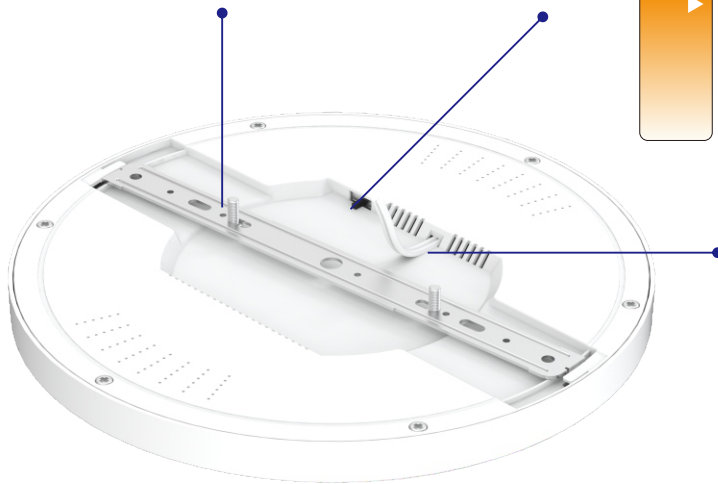
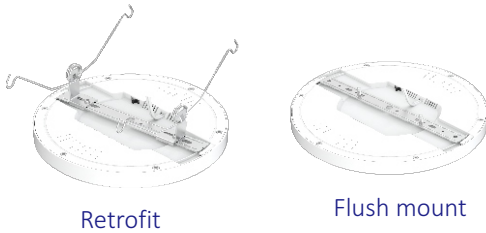
**Long Life time**

**50000**

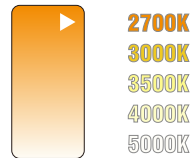
hours

## The Design for Lamp

- **Retrofit and flush mount**, 2 installation way.



- Dip switch for **5 CCT** optional.



- **3 connectors** available each lamp for AWG12 to AWG20 cable.



## Application

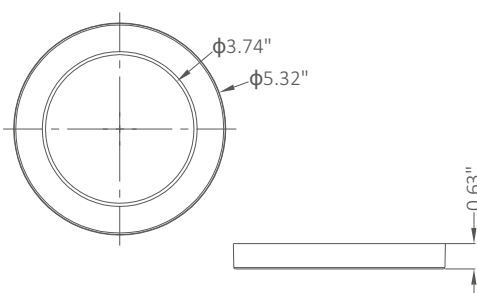
- Suitable for shops, supermarket, shopping mall, hospital, office, house, factory and other indoor places.

## Specifications

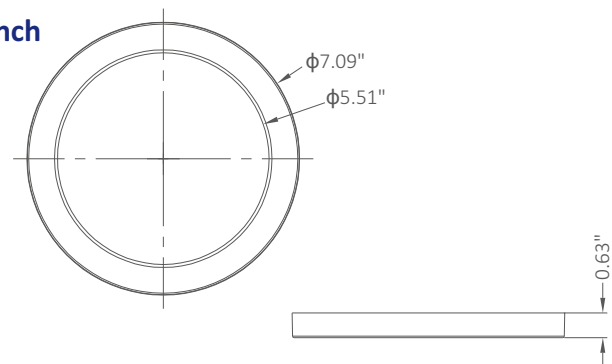
Model	Color	CCT	Luminous flux (±10%)	Power (W)	Beam angle	Input Voltage	LED type	CRI	IP	PF
SC-DL09-S04-A1-01RE	5 CCT adjustable	2700K 3000K 3500K 4000K 5000K	500-600lm	9W	110°	120VAC	2835	> 90	IP40	> 0.9
SC-DL12-S06-A1-01RE			750-880lm	12W						
SC-DL18-S08-A1-01RE			1100-1400lm	18W						
SC-DL22-S10-A1-01RE			1650-1800lm	22W						

## Dimensions (unit: inch)

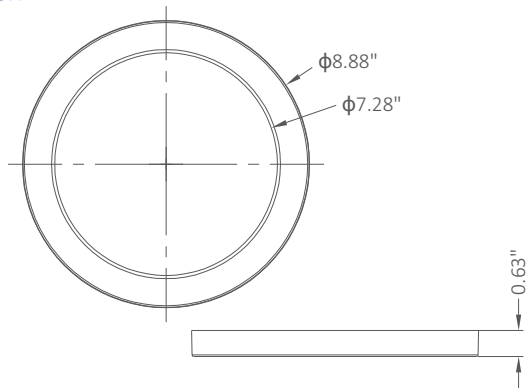
### 4 inch



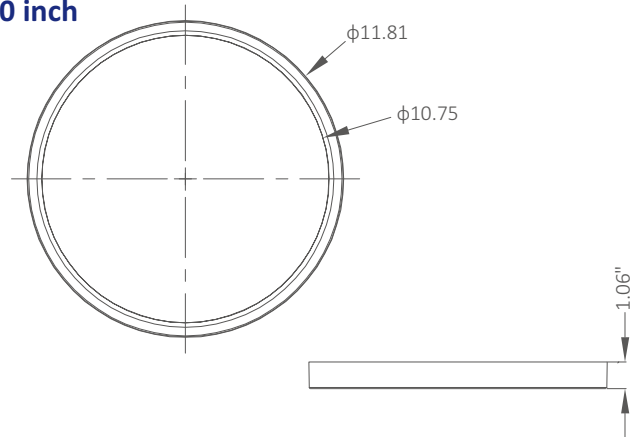
### 6 inch



### 8 inch



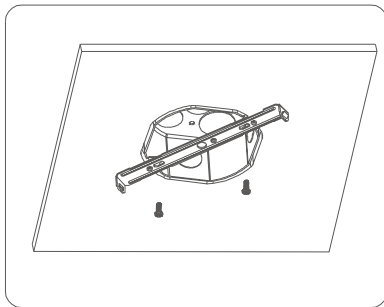
### 10 inch



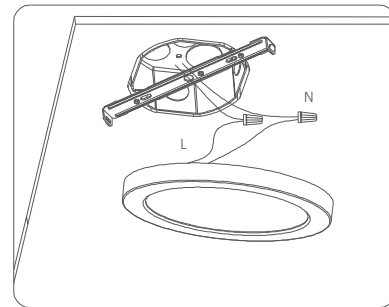
## Installation drawing

### 4-6-8" flush mount installation

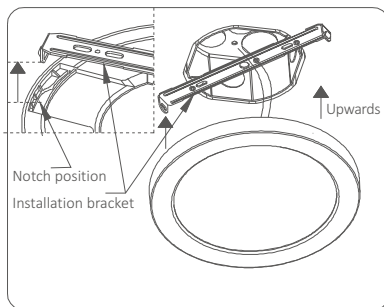
1. Use screws to fix the ceiling bracket on the junction box.



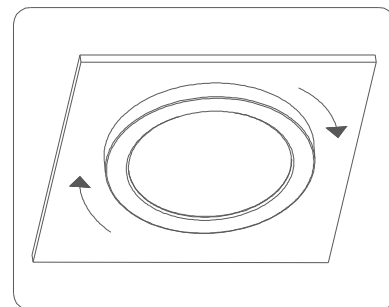
2. Wire connection



3. Align the installation notch on the back of the lamp with the installation bracket and then push upwards.

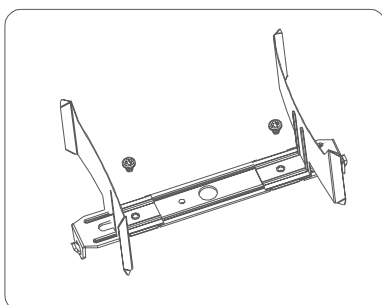


4. Rotate rightwards to tighten and complete the installation.

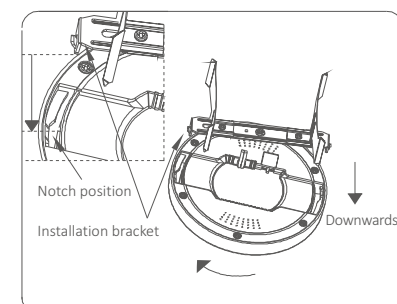


### 4" retrofit installation

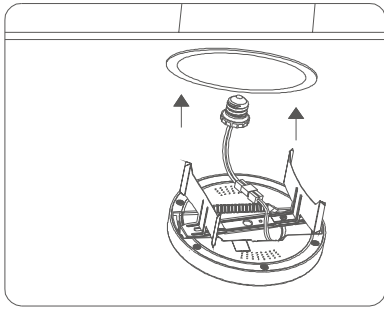
1. Use screws to fix the L-shape spring bracket.



2. Move the ceiling bracket downwards to insert it into the notch in the back of the lamp. Rotate rightwards to tighten.



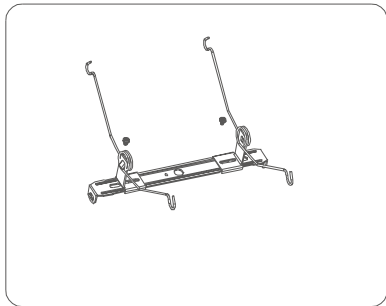
3. Install E26 plug into the barrel.



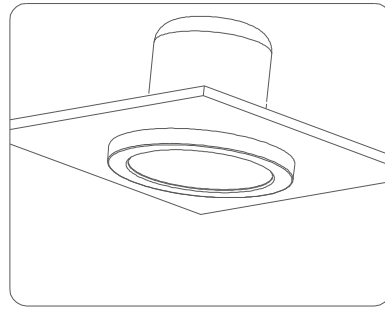
- At another end, use connector to connect the wire on the lamp together. Then clip the spring piece of the lamp into the barrel.

### 6" and 8" retrofit installation

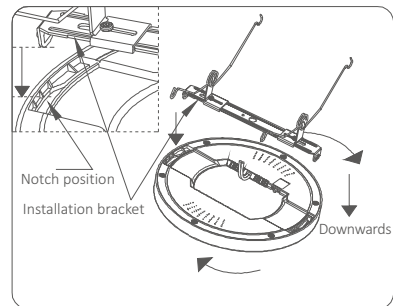
1. Use screws to fix the L-shape spring bracket.



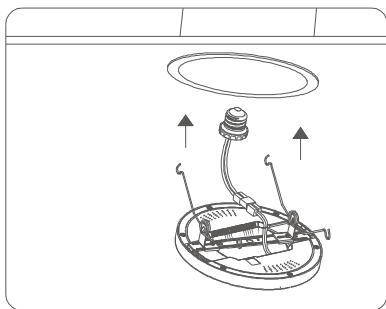
4. Complete the installation



2. Move the ceiling bracket downwards to insert it into the notch in the back of the lamp. Rotate rightwards to tighten.

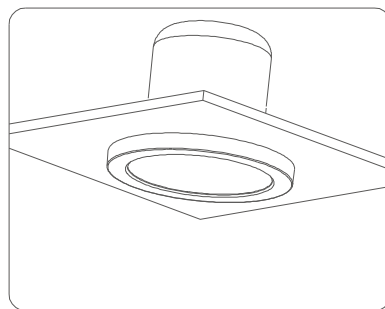


3. Install E26 plug into the barrel.



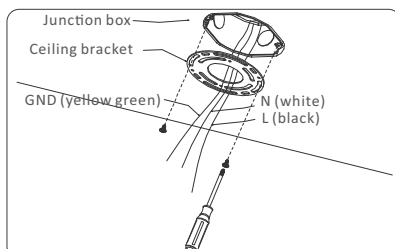
- At another end, use connector to connect the wire on the lamp together. Then clip the spring piece of the lamp into the barrel.

4. Complete the installation

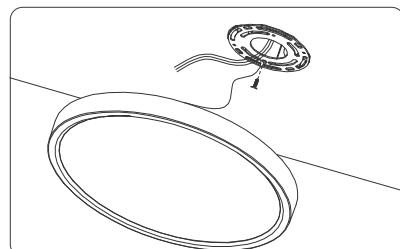


### 10" installation

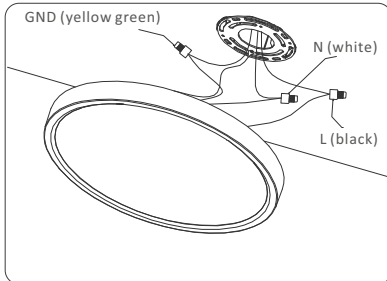
1. Turn off the power, lead the mains input wire from the middle hole of the ceiling bracket, and then fix the ceiling bracket on the junction box with screws



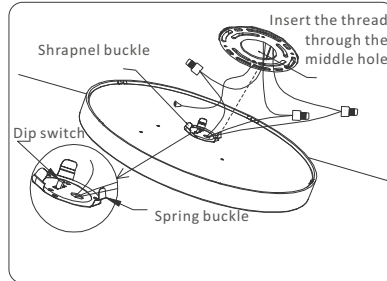
2. Fix the safety rope on the lamp to the ceiling racket with screws



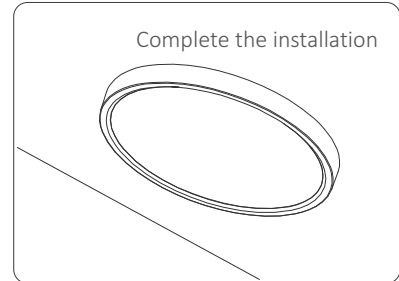
3. According to the color of the line Connect the input wire.



4. Adjust the dip switch to the corresponding color temperature, insert the connected AC wire into the hole of the junction box.



5. Align the spring buckle on the lamp with the middle hole of the ceiling, push it in parallel forcefully, until the spring buckle completely hooks the ceiling bracket.



## Installation requirements

- Power off before installation;
- Drill proper hole into the ceiling according to product model;
- Connect AC wire;
- Embed the light into ceiling hole;
- Light up and test, installation finish.

## Packaging information

Size Information	4 Inch Round	6 Inch Round	8 Inch Round	10 Inch Round
Net weight/CTN	0.21Kg	0.35Kg	0.45Kg	0.72Kg
Gross weight/CTN	9.50Kg	12.0Kg	14Kg	10.6Kg
Inner size/Inch	8.20X6.02X1.77	10.70X8.15X1.77	10.04X9.84X1.18	13.98X13.39X2.44
Carton size/Inch	18.90X12.99X17.32	27.76X9.25X22.24	15.75X10.39X20.87	28.94X14.17X13.58
	1pcs/inner box,40 pcs/carton	1pcs/inner box, 30 pcs/carton	1pcs/inner box, 24 pcs/carton	1pcs/inner box, 10 pcs/carton

## Notice



- Please read the specification first, to make sure the service environment matches the condition in the specification before using.
- Please confirm the applicable power supply before using.
- Make sure the switch of product is off before connect to the power supply to prevent electric shock.
- Operation against rules may damage your property even harm to your personal safety.
- Preliminarily estimate required quantity of LED panel lights, then according to the power rating of single panel light to figure out the total power and design power supply plan.
- Dangerous high voltage, Non-professionals are not allowed to maintain the products.
- If the exterior flexible cable or wire is damaged, it must exchange by the supplier, its agent or other similar qualified personnels to avoid dangers.



Yijia Industrial Park, Fuqian Road, Guanlan Town, LongHua, Shenzhen, Guangdong, China

Tel:+86-755-27608650  
 Fax:+86-755-27608651  
[www.signcomplex.com](http://www.signcomplex.com)  
[sales@signcomplex.com](mailto:sales@signcomplex.com)