

Floor light

3CCT dimming



TUYA MODULE
FLOOR LIGHT



APPLICATION

Wide Applications: living room / bedroom / estudio / library / museum, etc

FEATURES

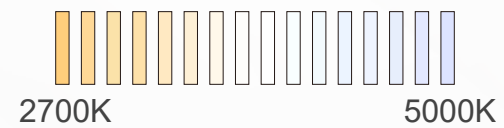


2700K



5000K

CCT adjustable, 2700-5000K color temperature can be adjusted at will.



FEATURES



1% Brightness

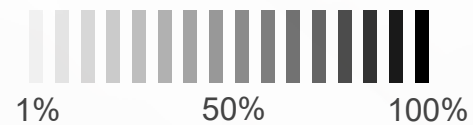


50% Brightness



100% Brightness

Dimming level, 1%-100% brightness adjustable.



FEATURES

Frosted high transparent PS lampshade, high transmittance and uniform light

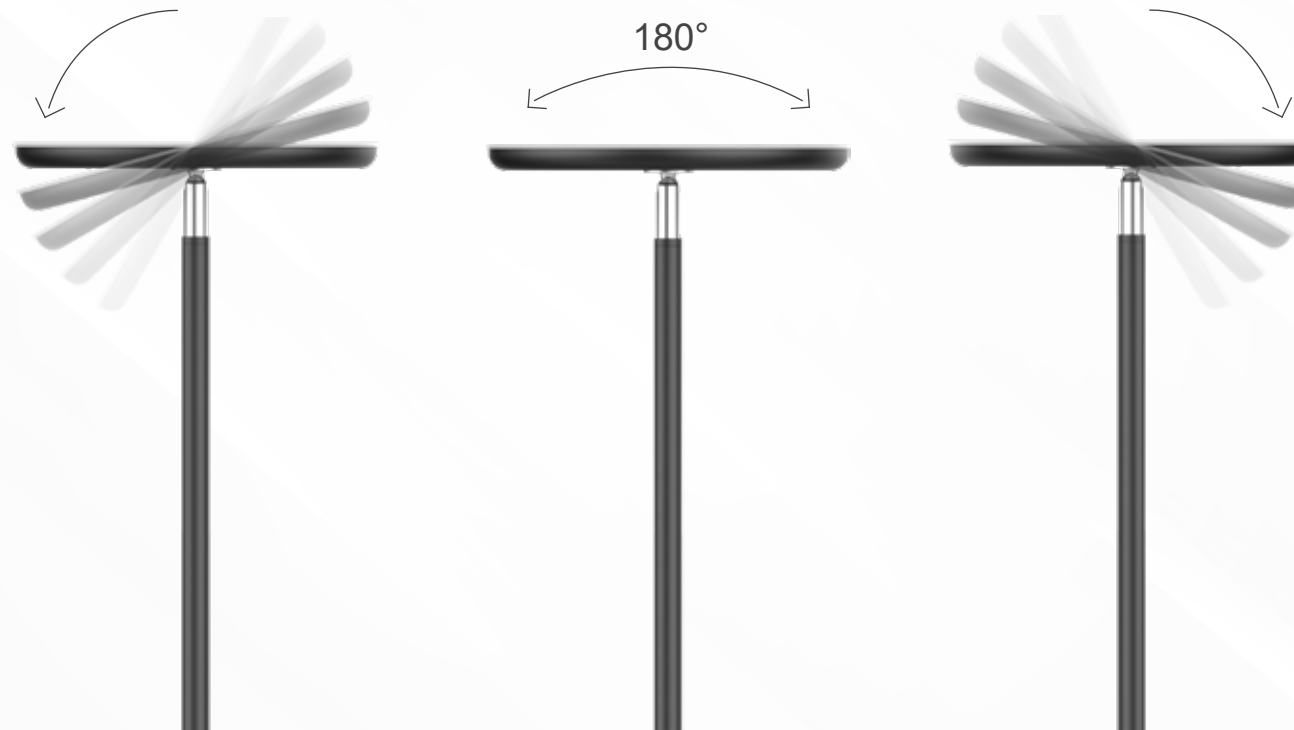




FEATURES

IR remote control function,
adjusting the color temperature and brightness of the lamp

FEATURES



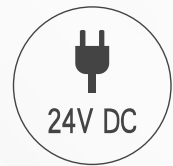
The lamp holder can freely adjust the angle to 180°.

FEATURES

Painted surface, sand black / sand white, high-grade and beautiful, anti-rust and anti-corrosion.



FEATURES



External adapter, DC24V voltage output,
safe and stable





FEATURES



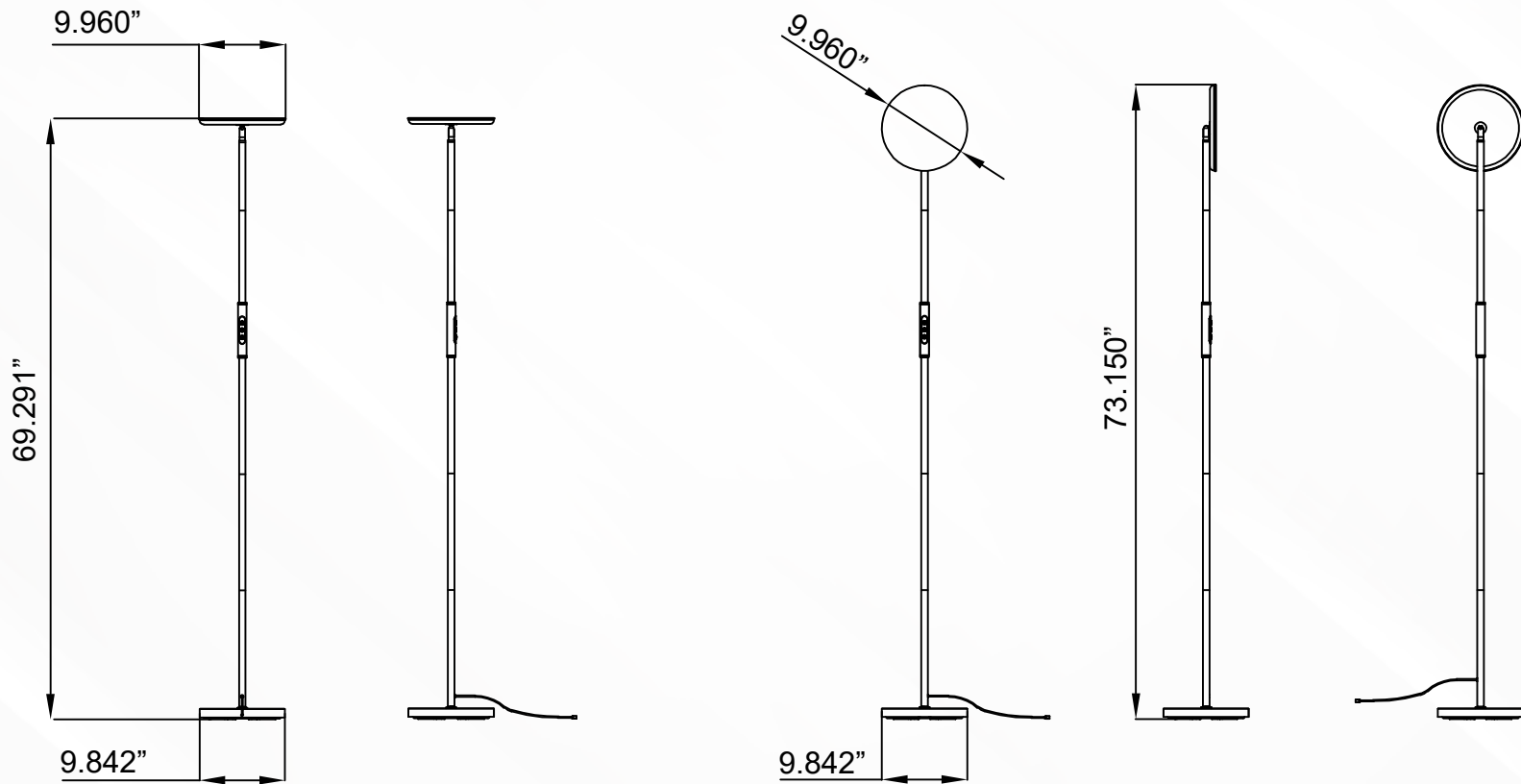
Threaded connection structure,
convenient installation, safe and reliable.

FEATURES

LEDs are arranged according to the rotating pattern,
beautiful and generous;

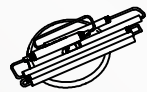


DIMENSIONS (unit: inch)



INSTALLATION DRAWING

Lamp body kit



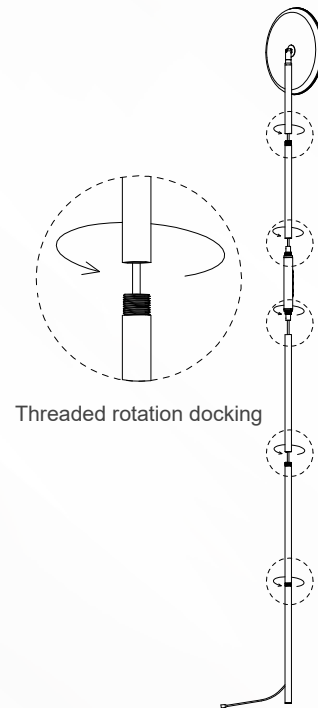
1. Lamp body 1PCS



2. Base 1PCS

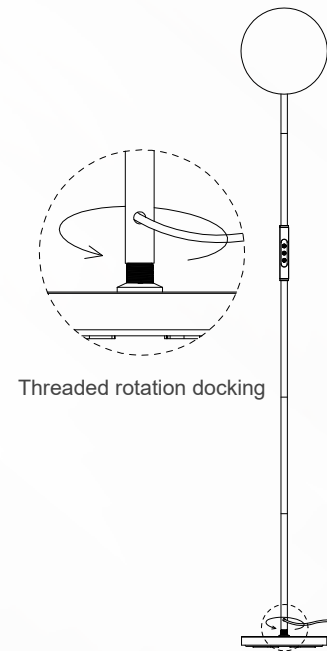


3. Adapter 1PCS



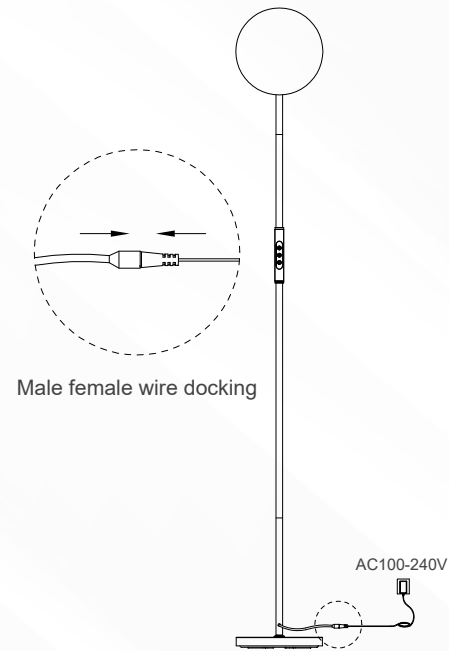
Splice each lamp body section in turn

1



Connect the lamp body to the base

2



Connect the adapter

3

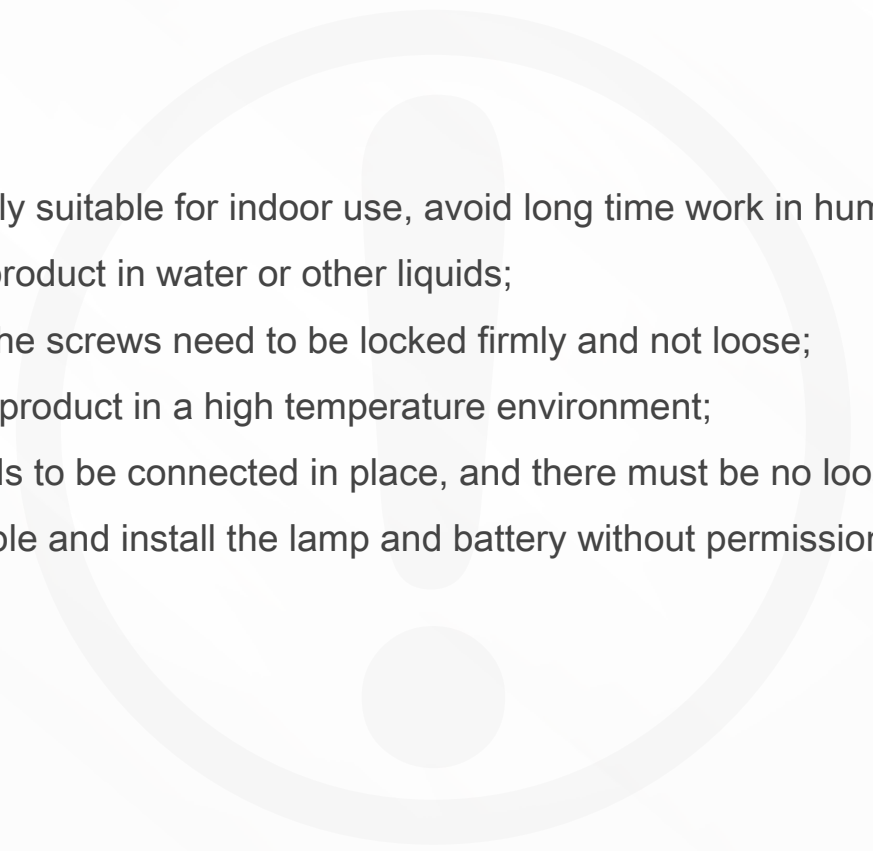
PARAMETER

Product Model	Input voltage (V)	Input power		Output DC voltage	Working temperature	Output current(A)		Error	CRI	Light efficiency	
		White light	Warm light			White light	Warm light			5028-5477K	2725-2870K
SC-LDD-D250-AW-024-RECCT	100-240V	24±10%W		24V	-10-40°	0.85		±5%	CRI >80	1600lm	1500lm

PACKAGING

Product Model	Size(inch)	Net weight(kg)	Inner package size(inch)	Carton size(inch)	Inner packing box(pcs/carton)	Carton packing box (pcs/carton)	Inner package weight(kg)	Carton weight(kg)	Gross weight(kg)
SC-LDD-D250-AW-024-RECCT	69.291*9.960*9.842	4	14.96*12.01*4.33	15.75*12.80*18.11	1	4	0.26	0.73	19.2

NOTICE

- 
- 1 The product is only suitable for indoor use, avoid long time work in humid environment;
 - 2 Do not soak the product in water or other liquids;
 - 3 When installing, the screws need to be locked firmly and not loose;
 - 4 Do not install the product in a high temperature environment;
 - 5 The adapter needs to be connected in place, and there must be no looseness or poor contact;
 - 6 Do not disassemble and install the lamp and battery without permission;