

FLEXIBLE WALL WASHER LIGHT



Available colors



W



NW



WW

BIDIRECTIONAL BENDING

Bidirectional bending, a variety of lenses available, wider applicability

HIGH QUALITY

Food grade silicone material, environmental protection,
high light transmittance, ultraviolet radiation resistance,
yellowing resistance, strong weather resistance



APPLICATIONS

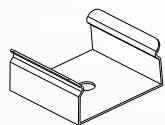
- Wall washing lighting on building surface
- Indoor and outdoor special-shaped structure wall washing decoration lighting
- Jewelry lighting



SPECIFICATIONS

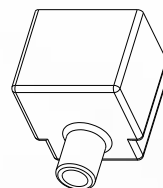
Model	Color	Lumen (lm/m)	LED Type	LED Qty. (LEDs/m)	Beam Angle(°)	DC Voltage(V)	Power (w/m)	SDCM	CRI	IP
SC-OPT-2835SF-36-XX-24-A (The letter A at the end of the model number stands for Angle)	WW	1400	2835	36	20, 35, 45 30*60	24	20	≤3	90	65
	NW	1420								
	W	1450								

ACCESSORIES



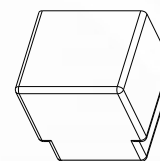
Mounting clip

4pcs/M



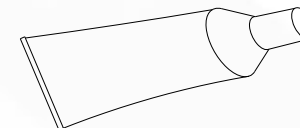
End cap with hole

2PCS/5M



End cap without hole

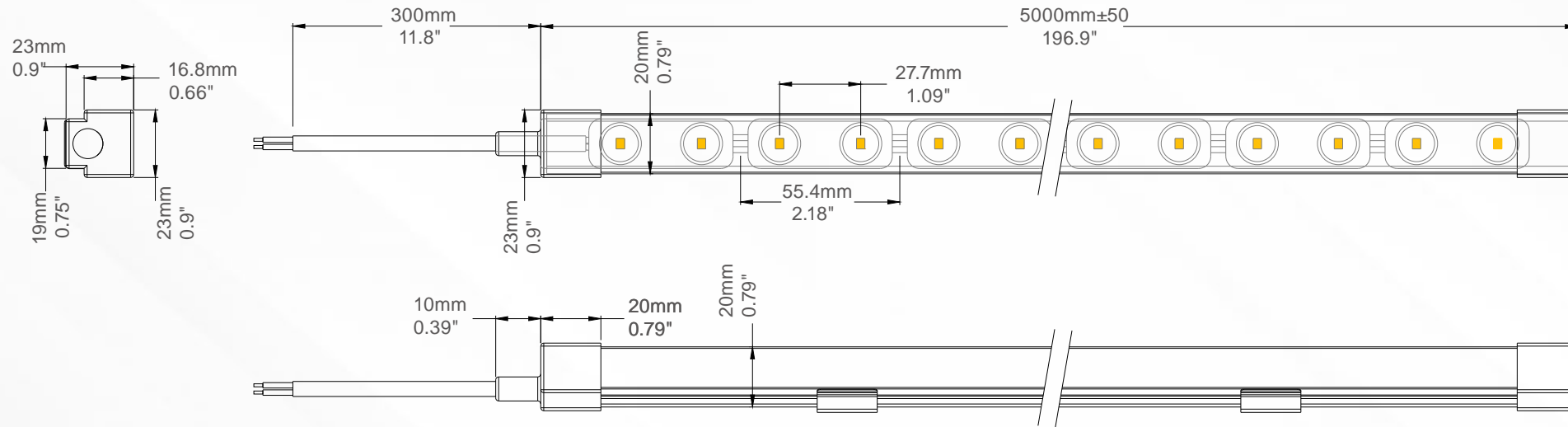
2PCS/5M



Glue

optional
Separate shipment

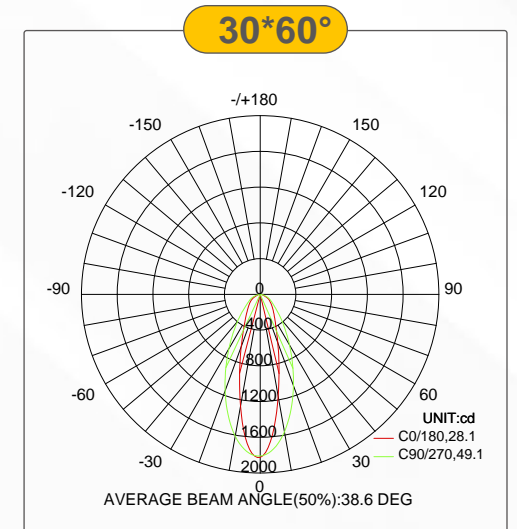
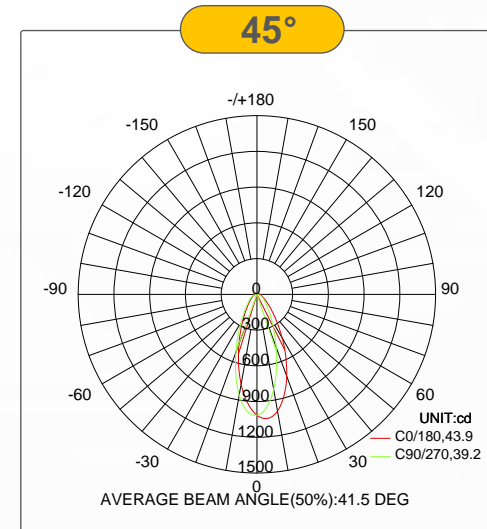
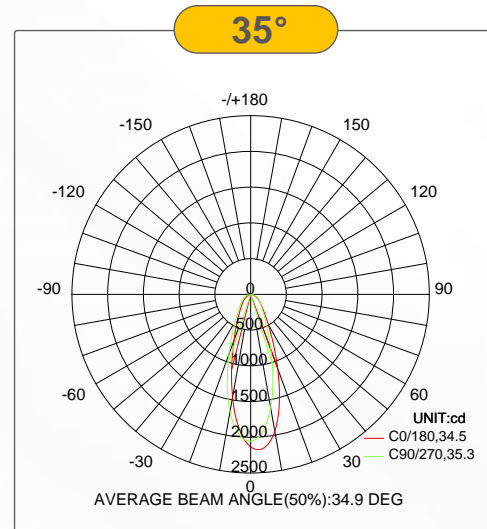
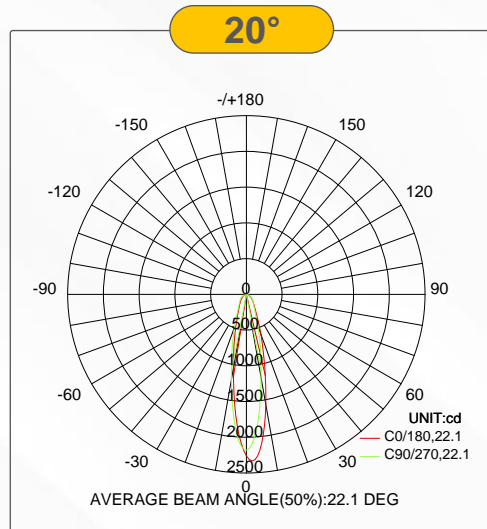
DIMENSIONS (Unit:mm/inch)



Length tolerance:

1020 ± 25mm, 2020 ± 30mm,
 3000 ± 40mm, 4000 ± 50mm,
 5000 ± 50mm
 (In order to ensure the length, 2
 LEDs may be missing from 3-5
 meters)

LUMINOUS INTENSITY DISTRIBUTION DIAGRAM



CUTTING OPERATIONS

Step 01

Use scissors to cut from the connection of two PCBs, as shown in Figure 1

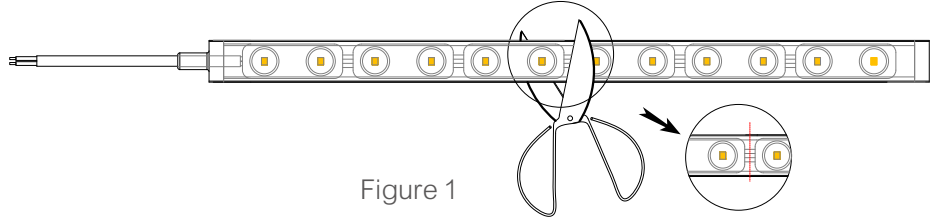


Figure 1

Step 02

Fill the end cap with glue, and insert the light strip into the end cap. After installation, as shown in Figure 2:

Glue is applied to the inner wall of the 4 sides of the plug and filled into the bottom slot of the plug

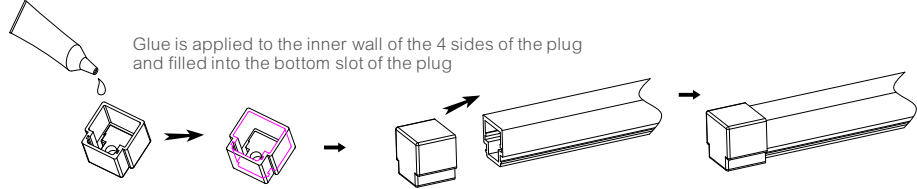


Figure 2

Step 03

Cut off the rubber sleeve on the first set of LED board, expose the solder pad without cutting the wire, and weld the PCB board off, as shown in Figure 3:

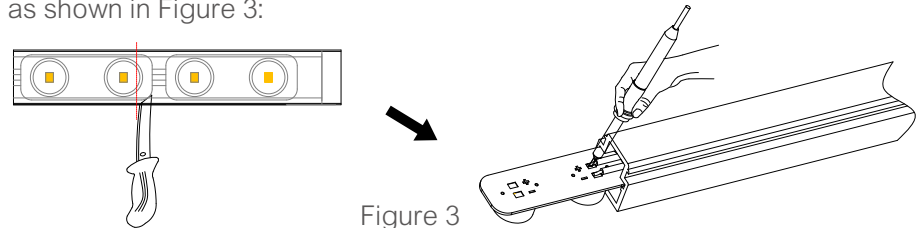


Figure 3

Step 04

Butt-weld the power line and the light strip, pay attention to the positive and negative poles, and insulate the positive and negative poles, as shown in Figure 4:

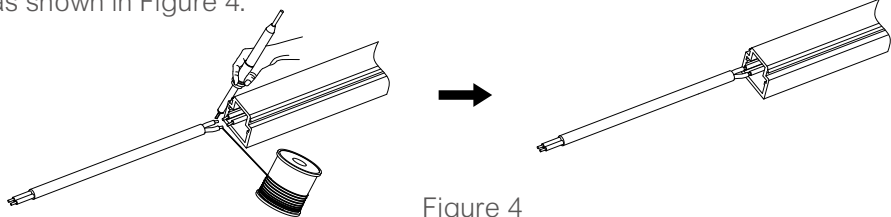


Figure 4

Step 05

Insert the end cap into the wire, repeat the gluing procedure in Figure 2, and then insert the light strip into the end cap, as shown in Figure 5:

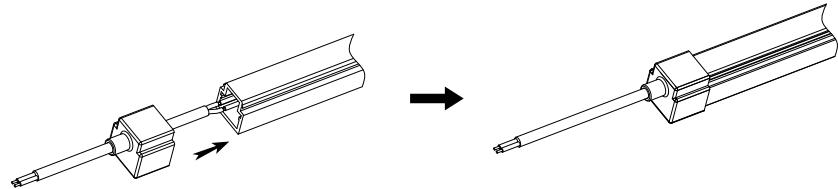


Figure 5

Step 06

Then the installation is completed, as shown in Figure 6:

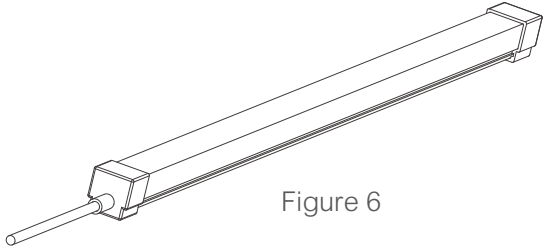
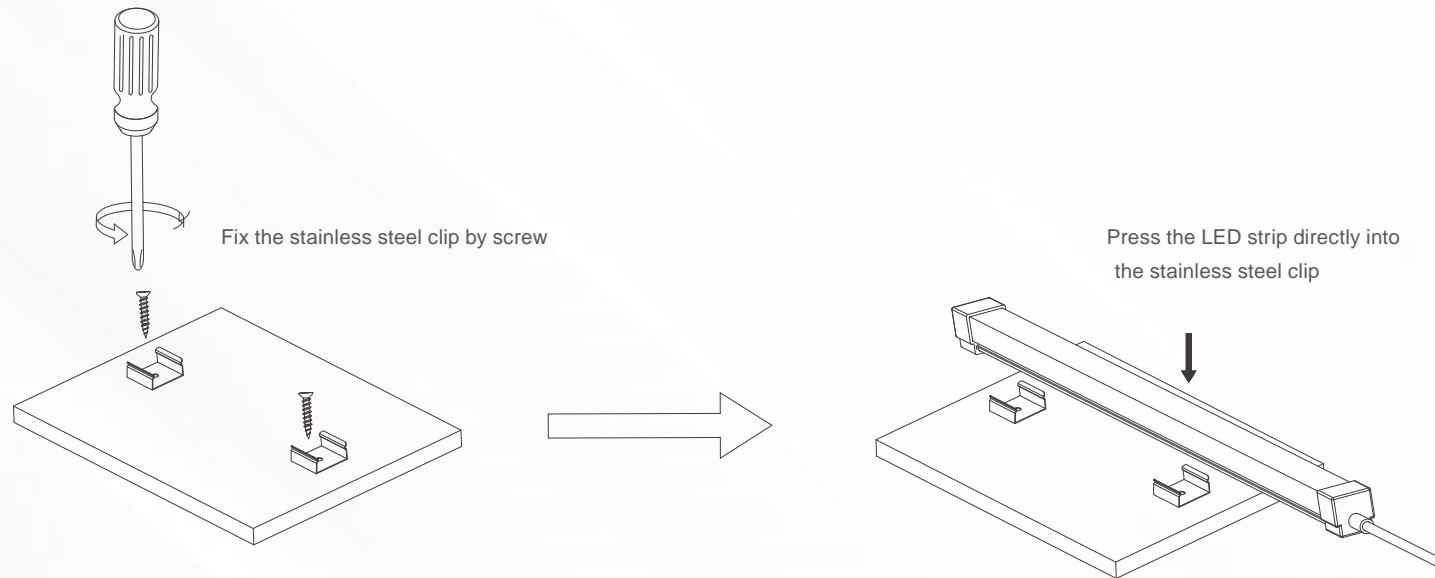


Figure 6

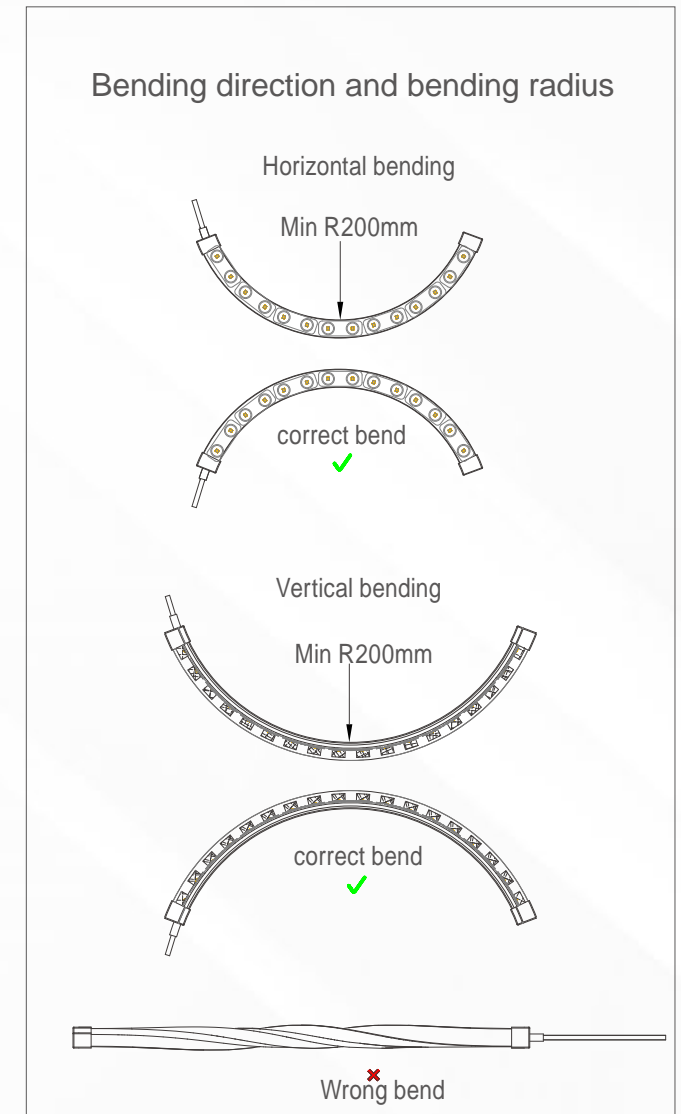
LUMINAIRE INSTALLATION DIAGRAM

- (1) Locate the installation at the wall where it needs to be installed;
- (2) Screw the mounting clip and fix it at the installation position;
- (3) After fixing the clip take out the LED strip and press it in.

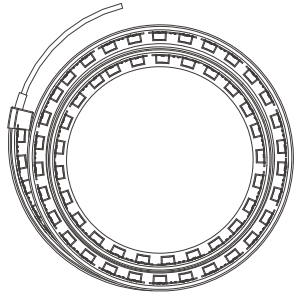


Note:

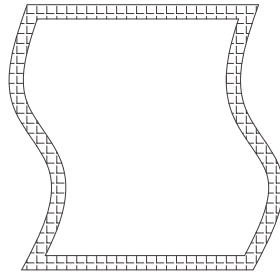
It is recommended to install the LED strip 5cm above the wall surface to obtain the best lighting effect;
 It is recommended to use M4 self tapping screws to fix the mounting clip;
 4 PCS clips for conventional 1M LED strip



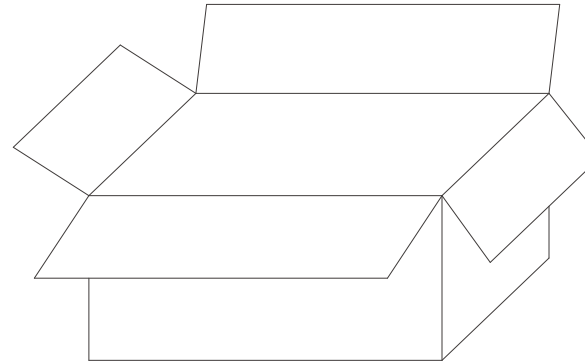
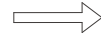
PACKAGING INFORMATION



LED strip



Anti-static bag



Packing box

Model	SC-OPT-2835SF-36-XX-24-A
m/roll	5m/roll
QTY per carton	5 rolls
Carton size	460*460*360MM
Carton weight	8KG

INSTALLATION REQUIREMENT

1. The light strip and other accessories can not be pressed;
2. Do not damage the conducting wire of the circuit board during installation;
3. The installation of the light strip should be in accordance with the electrical safety standards.
Only professional personnel can install it;
4. Ensure that the power supply is loaded by transformer conversion;
5. Observe the polarity before installing, connect properly to prevent damage to the light strip;
6. Provide anti-corrosion environment for products;
7. Working temperature is -20°C~40°C.