

# PLUG AND PLAY

## SEAMLESS LIGHTBAR

1 0 X 1 0 R I G I D S T R I P



Available colors



N O W E L D I N G | P L U G A N D P L A Y

## PERFECT LINEAR LIGHTING

No dark area, no frame

## DOT FREE

High quality PC milky white diffuser,  
uniform and soft light, no spot

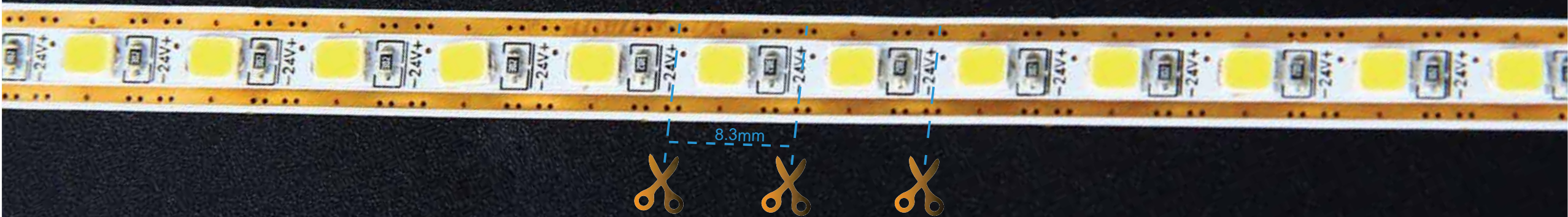
# PLUG AND PLAY

No welding, cut and use, plug and play



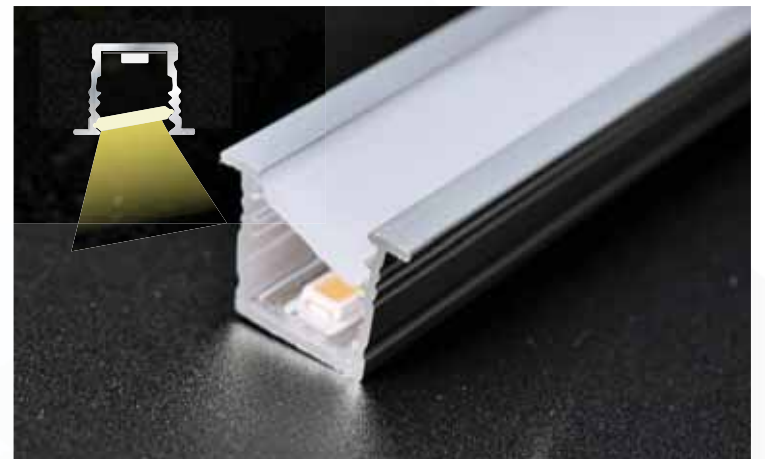
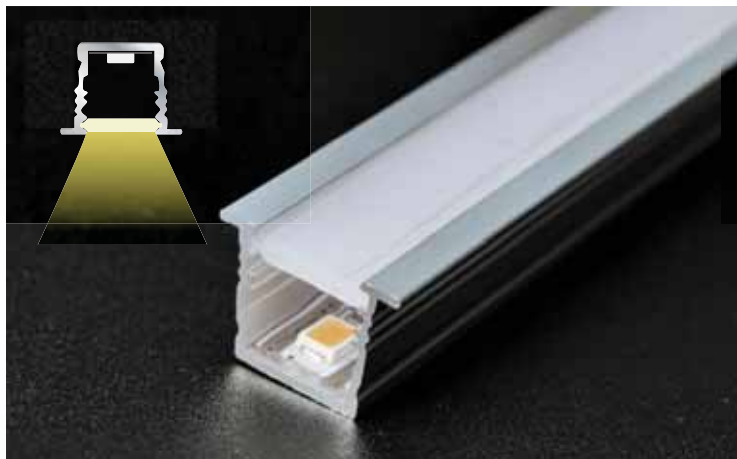
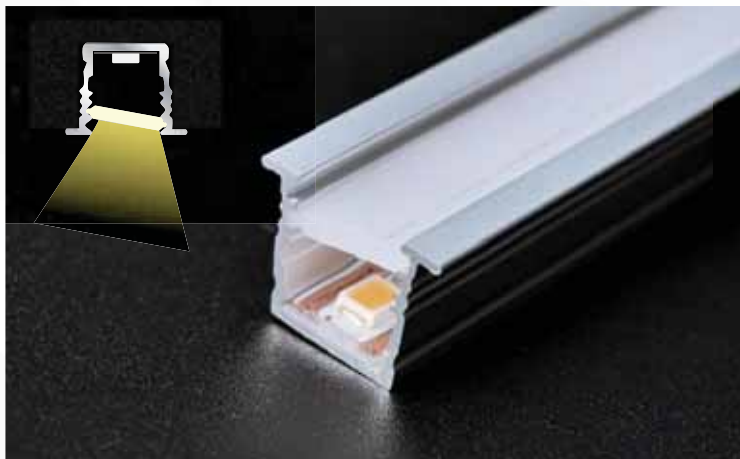
# MINI CUTTING

Single LED can be cut, length can be customized



# ANGLE FINE-TUNING

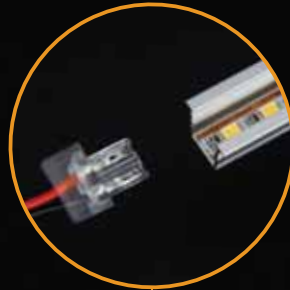
3 light-emitting directions, the lampshade can be switched in 3 directions, front, diagonal outward, diagonal inward



# HIGH EFFICIENCY INSTALLATION



Fast connection,  
plug and play



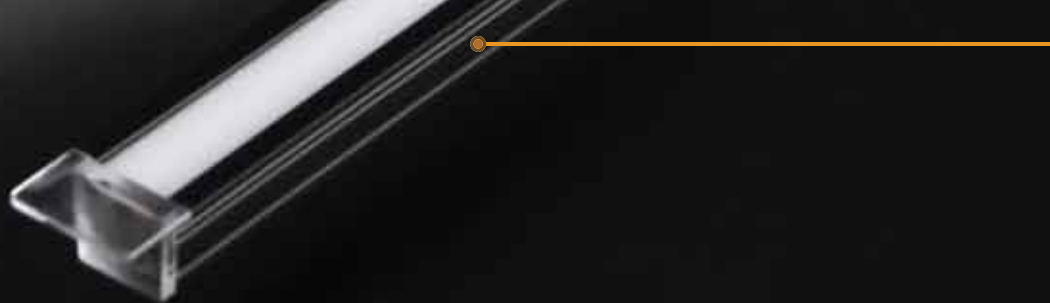
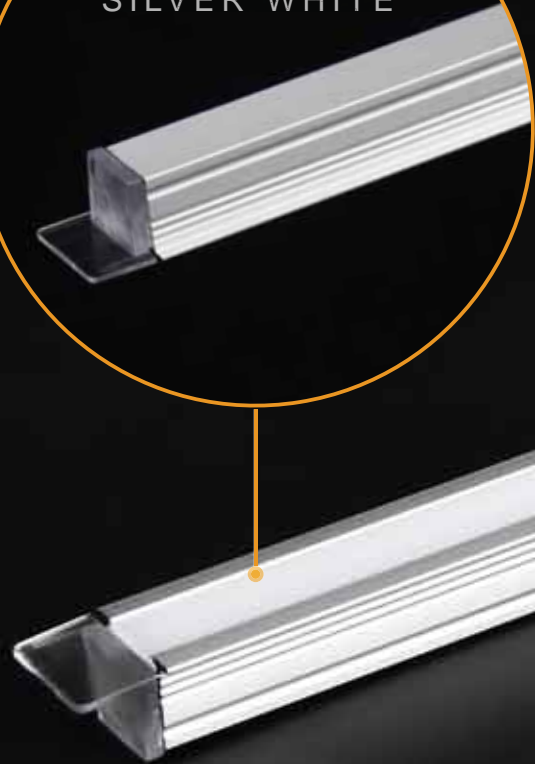
Fast connection,  
plug and play



Screw-free hidden snap design makes  
the product more beautiful and good  
overall effect



SILVER WHITE



BLACK



## APPLICATION

Suitable for cabinet, closet, bookcase  
and other lighting

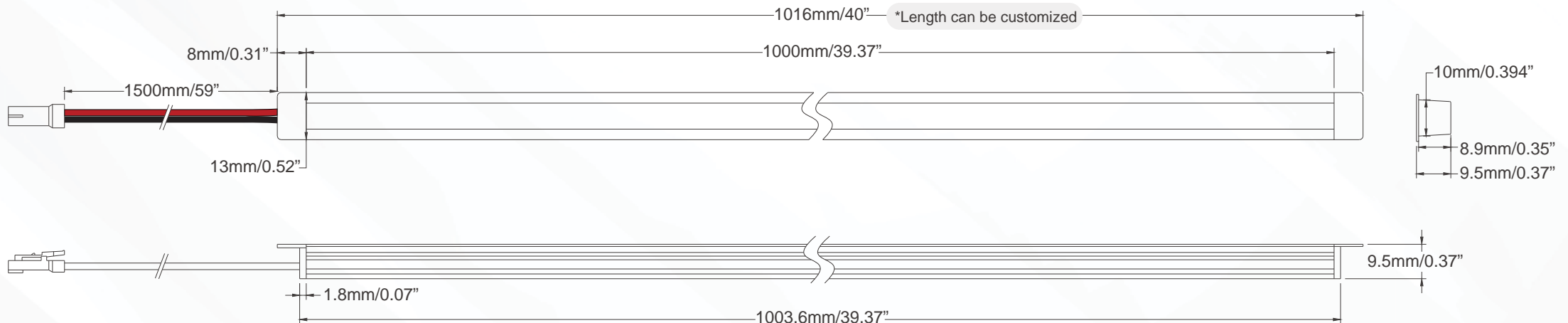


## TECHNICAL PARAMETERS

Model	Color	Lumen (lm/m)	LED Type	LED Qty. (LEDs/m)	Beam angle (°)	DC Voltage (V)	Power (w/m)	CRI	IP Grade
SC-2835-01-M1010 -XX-12/24-120-7	WW	350	2835	120	120	12V/ 24V	8	80	IP20
	NW	385							
	W	400							

\*Lumens of silver aluminum groove test, black aluminum groove lumens will be reduced by 30%

## DIMENSIONS (unit: mm/inch)





## INSTALLATION STEPS FOR LED STRIP

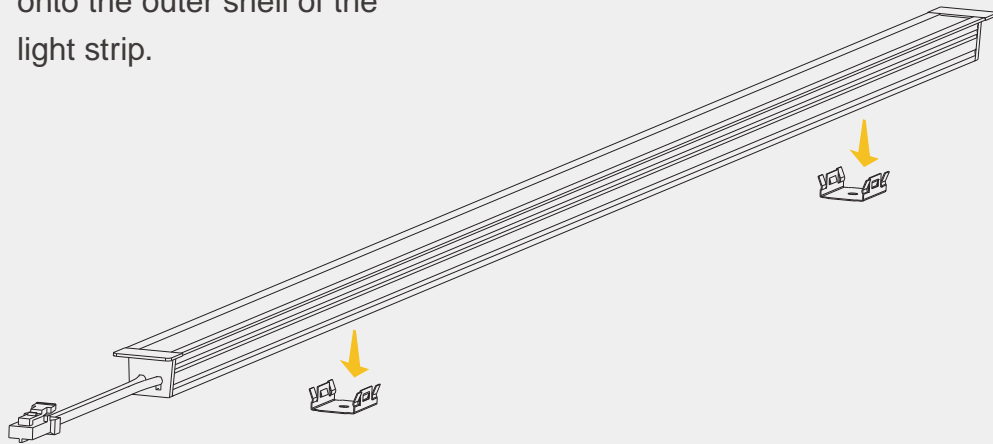
01

First, create a groove with a width \* height of 10mm \* 10mm



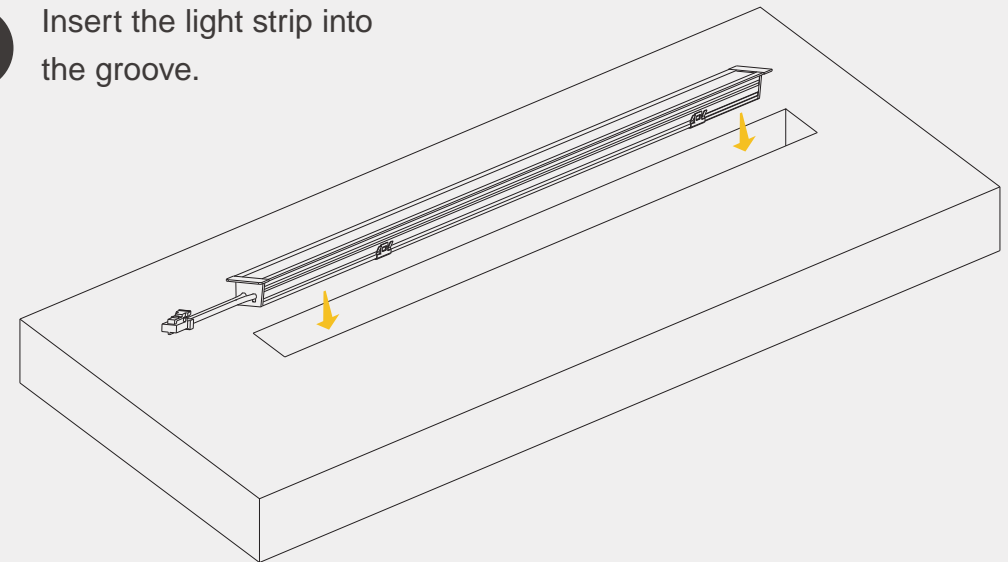
02

Insert the clip evenly spaced onto the outer shell of the light strip.

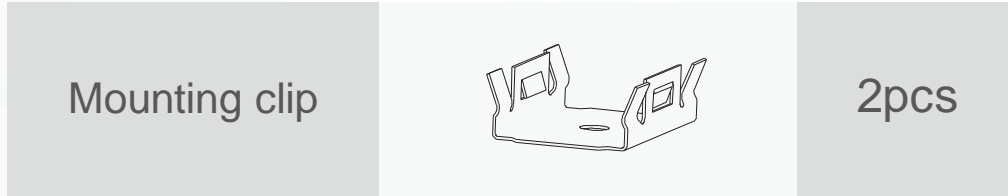


03

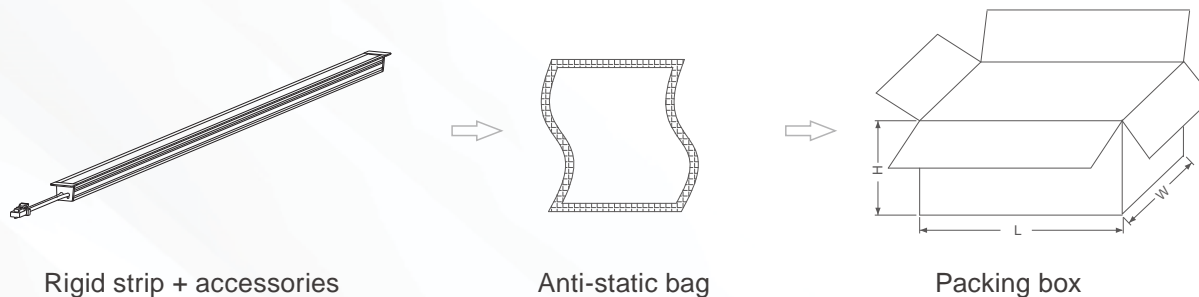
Insert the light strip into the groove.



## ACCESSORIES



## PACKAGING INFORMATION



Model	Packing Qty.	Carton weight(KG)	Carton size (mm)
SC-2835-01-M1010 -XX-12/24-120-7	120pcs/carton	12.5KG	1250*220*175mm

## INSTALLATION REQUIREMENT



- ◉ The light strip and other accessories can not be pressed;
- ◉ Do not damage the conducting wire of the circuit board during installation;
- ◉ The installation of the light strip should be in accordance with the electrical safety standards. Only professional personnel can install it;
- ◉ Ensure that the power supply is loaded by transformer conversion;
- ◉ Observe the polarity before installing, connect properly to prevent damage to the light strip;
- ◉ Provide anti-corrosion environment for products;
- ◉ Working temperature is -20°C~40°C.