

DISC Series

DL203T-4-10W/DL203T-6-15W

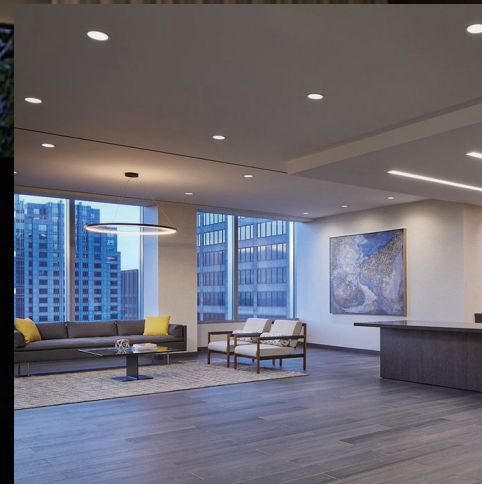
2700K	3000K	4000K	5000K
Warm white	Warm white	Natural white	White



							
---	---	---	---	---	---	--	---

Application

Suitable for hotel, corridor, home decoration, shopping mall, exhibition room, etc.



Features

Good heat dissipation

Adopt spinning iron as heat sink



Description

DISC downlight for 120V AC ,10W/15W. Available triac dimmable and non dimming.

DISC downlight can fit 4" junction box and

replace of most 4" and 6" surface mount downlights;

DISC downlight can fit 4" & 5" & 6" downlight housings and replace of most 4" & 5" & 6" recessed downlights;

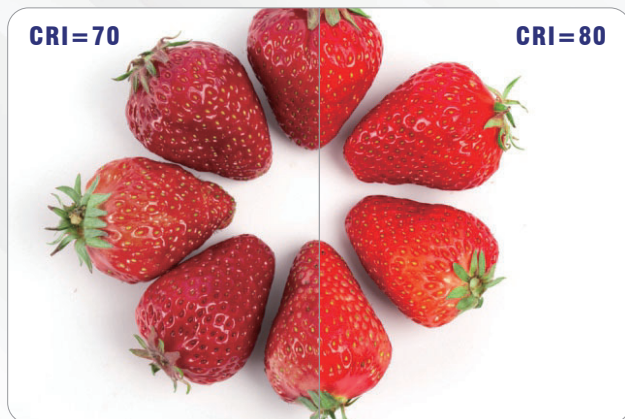
This product is ideal for use in many residential and commercial lighting applications with E26 base.

Features

Unique appearance

Beautiful design and gorgeous

High color rendering



Excellent thermal management to ensure long lifetime of LED



Long Life time

50000

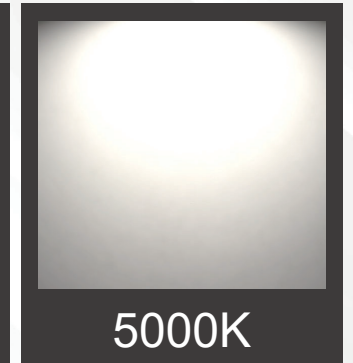
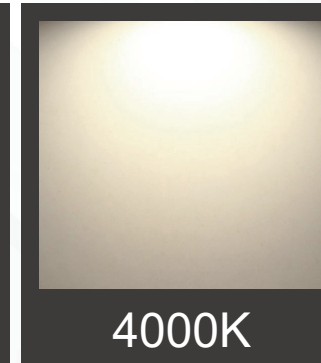
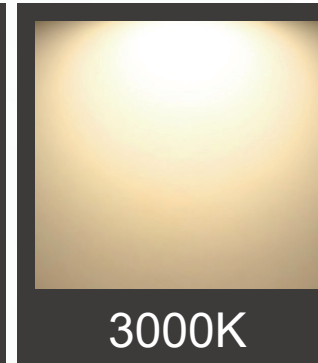
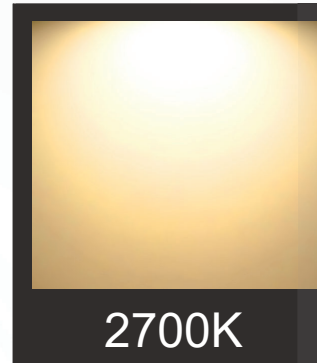
hours

High efficiency

High efficiency and energy-saving LED driver

Features

Selectable color temperature (2700K, 3000K, 4000K)



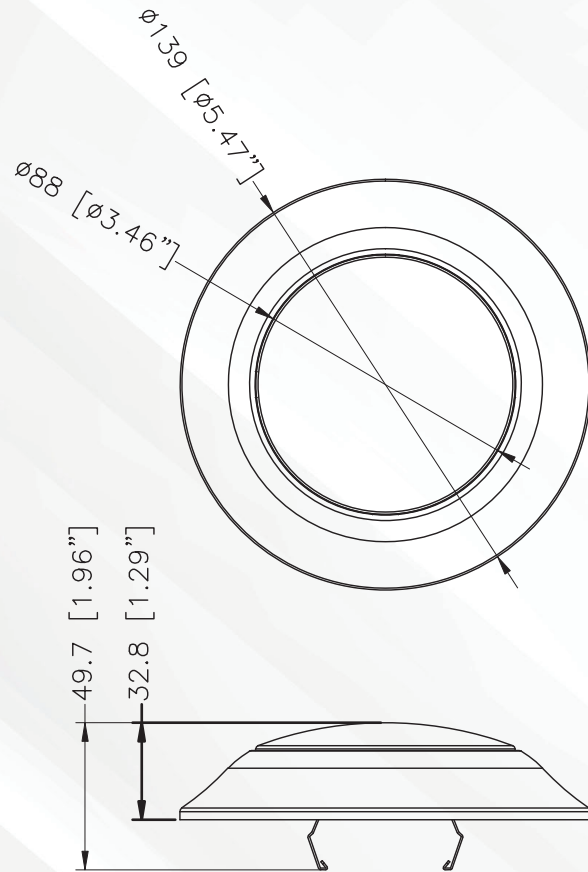
Triac dimmable / Non dimming

This product is suitable for use in dimming circuit. For 5-100% light control, use with a compatible dimmer. Compatible dimmers include most standard dimmers, such as Lutron :SCL-153P,CTCL-153P,DVCL-153P,MACL-153M.

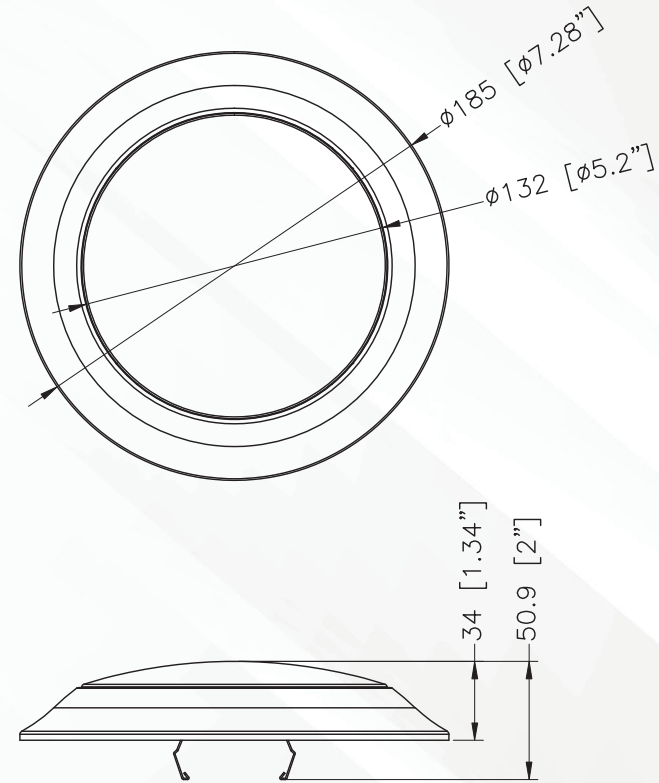
Technical parameters

Model	CCT	Lumen(lm) (±10%)	Beam (angle)	LED Type	LED Qty.	Power(w) (±10%)	Voltage, Frequency	CRI	RF	Dimming Type	Control method
DL203T-4-10W	2700K	650	110°	2835	28	10W	AC120V /60Hz	≥80	>0.9	Triac dimmable	Change color temperature by dial switch
	3000K	700									
	4000K	750									
	5000K	750									
	2700K	610									
DL203T-6-15W	3000K	630	110°	2835	28	10W	AC120V /60Hz	≥90	>0.9	Triac dimmable	Change color temperature by dial switch
	4000K	700									
	5000K	700									
	2700K	1000									
DL203T-6-15W	3000K	1100	110°	2835	28	15W	AC120V /60Hz	≥80	>0.9	Triac dimmable	Change color temperature by dial switch
	4000K	1100									
	5000K	1100									
	2700K	890									
	3000K	1000									
	4000K	1000									
	5000K	1000									

Dimensions (Unit: mm)



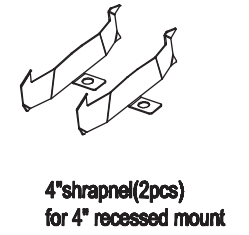
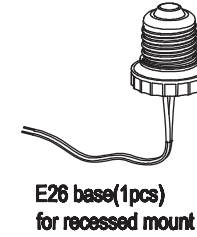
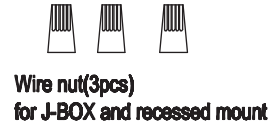
DL203T-4-10W



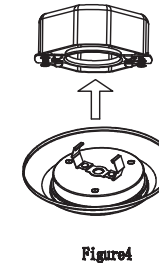
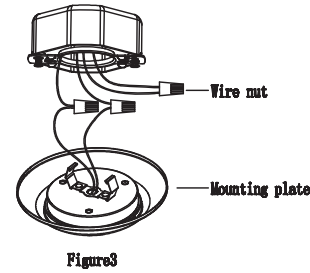
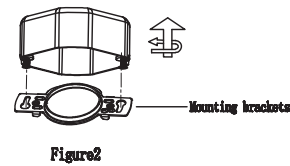
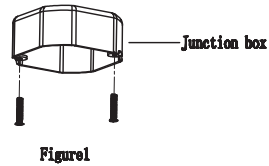
DL203T-6-15W

Installation (DL203T-4-10W)

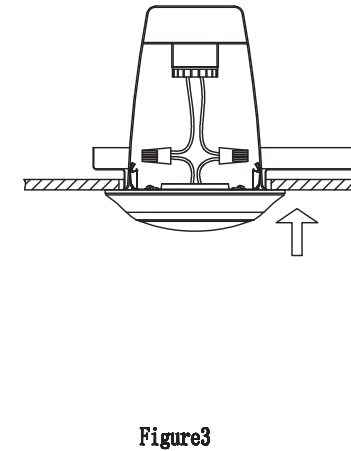
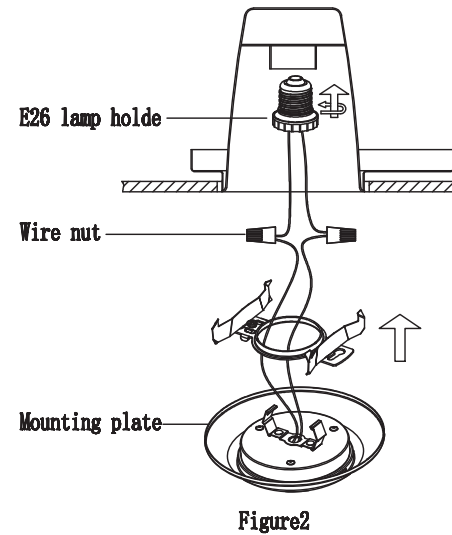
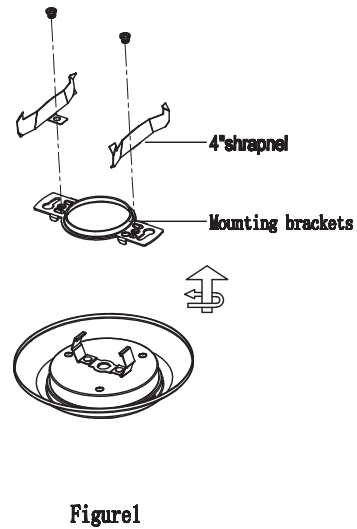
ACCESSORIES:



For J-BOX



For 4" can install



Installation (DL203T-6-15W)

+86-755-2760 8650

sales@signcomplex.com

www.signcomplex.com

ACCESSORIES:

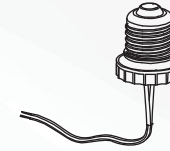
M5 Screw(2pcs)
for 4"shrapnel

#8-32 Screw(2pcs)
for J-BOX

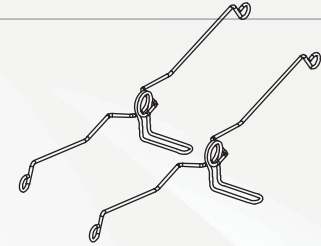
Wire nut(3pcs)
for J-BOX and recessed mount



Mounting brackets



E26 base(1pcs)
for recessed mount



Torsion spring(2pcs)
for 5" 6" recessed mount

For J-BOX

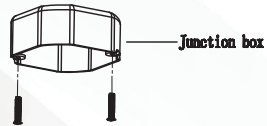


Figure1

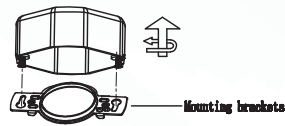


Figure2

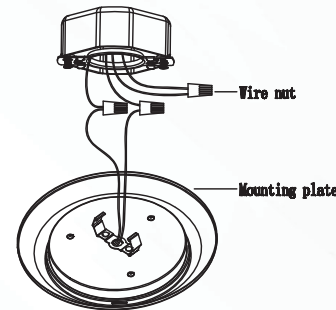


Figure3

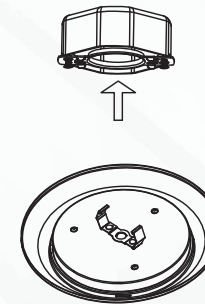


Figure4

For 5" 6" can install

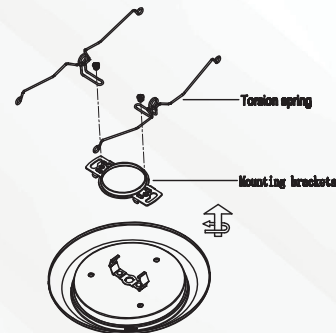


Figure1

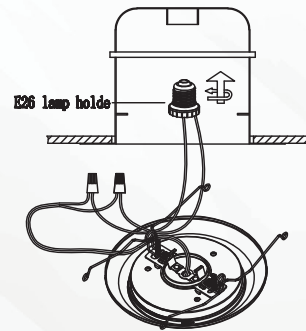


Figure2

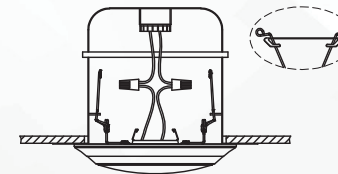


Figure3

Packing information

Model	Color box size	External case	Net weight	Weight of single	Weight of whole
DL203T-4-10W	145*65*150mm	480*455*320mm 42PCS/CN	0.194Kg	0.258Kg	11.801Kg
DL203T-6-15W	190*65*195mm	590*410*410mm 36PCS/CN	0.294Kg	0.372Kg	14.472Kg

WARNING



- ⦿ “WARNING - Risk of fire or electric shock. LED Retrofit Kit installation requires knowledge of luminaires electrical systems. If not qualified, do not attempt to install. Contact a qualified electrician.” or equivalent in Format S24-L5.
- ⦿ “WARNING - Risk of fire or electric shock. Install this kit only in luminaires that have the construction features and dimensions shown in the photographs and/or drawings and where the input rating of the retrofit kit does not exceed the input rating of the luminaire.” or equivalent in Format S24-L5.
- ⦿ “Do not make or alter any open holes in an enclosure of wiring or electrical components during kit installation.” Verbatim in Format S24-L5.
- ⦿ “WARNING - To prevent wiring damage or abrasion, do not expose wiring to edges of sheet metal or other sharp objects.” or equivalent in Format S24-L5.
- ⦿ “This product must be installed in accordance with the applicable installation code by a person familiar with the construction and operation of the product and the hazards involved” or equivalent in Format S24-L4.