

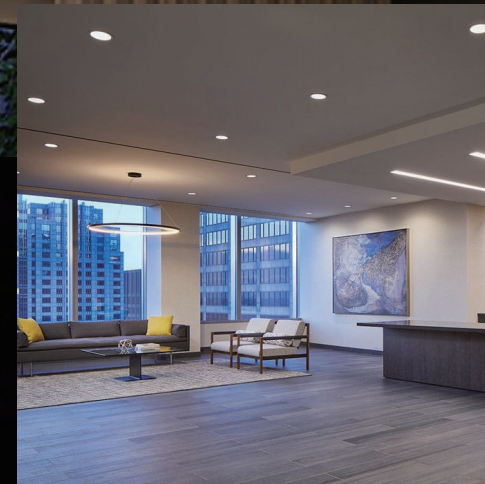
# DISC Series

DL203T-4-10W-5CCT/DL203T-6-15W-5CCT



# Application

Suitable for hotel, corridor, home decoration, shopping mall, exhibition room, etc.



## Features

### Good heat dissipation

Adopt spinning iron as heat sink



## Description

DISC downlight for 120V AC ,10W/15W. Available triac dimmable and non dimming.

DISC downlight can fit 4" junction box and

replace of most 4" and 6" surface mount downlights;

DISC downlight can fit 4" & 5" & 6" downlight housings and replace of most 4" & 5" & 6" recessed downlights;

This product is ideal for use in many residential and commercial lighting applications with E26 base.

# Features

## Unique appearance

Beautiful design and gorgeous

## High color rendering



Excellent thermal management to ensure long lifetime of LED



Long Life time

**50000**

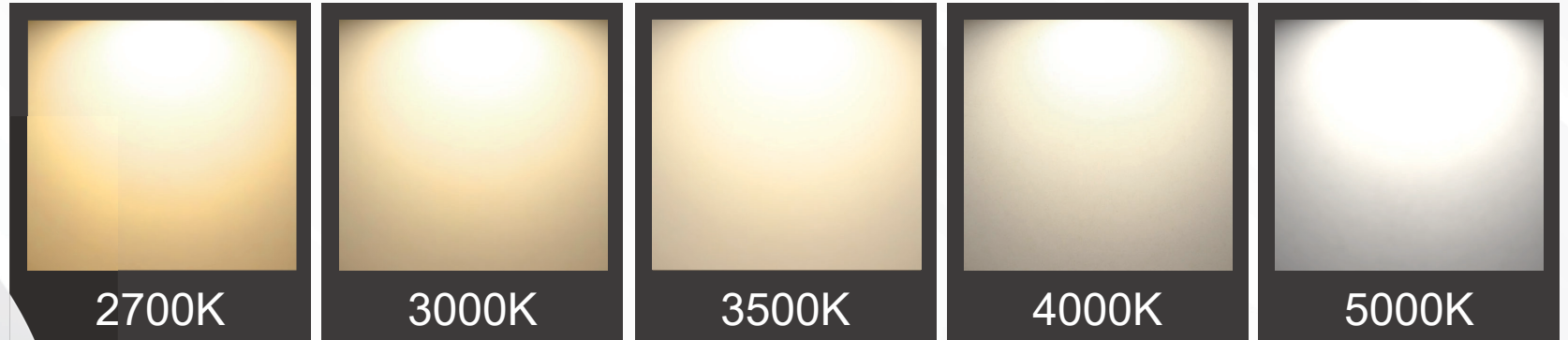
hours

## High efficiency

High efficiency and energy-saving LED driver

# Features

Selectable color temperature (2700K, 3000K, 3500K, 4000K, 5000K)



## Triac dimmable / Non dimming

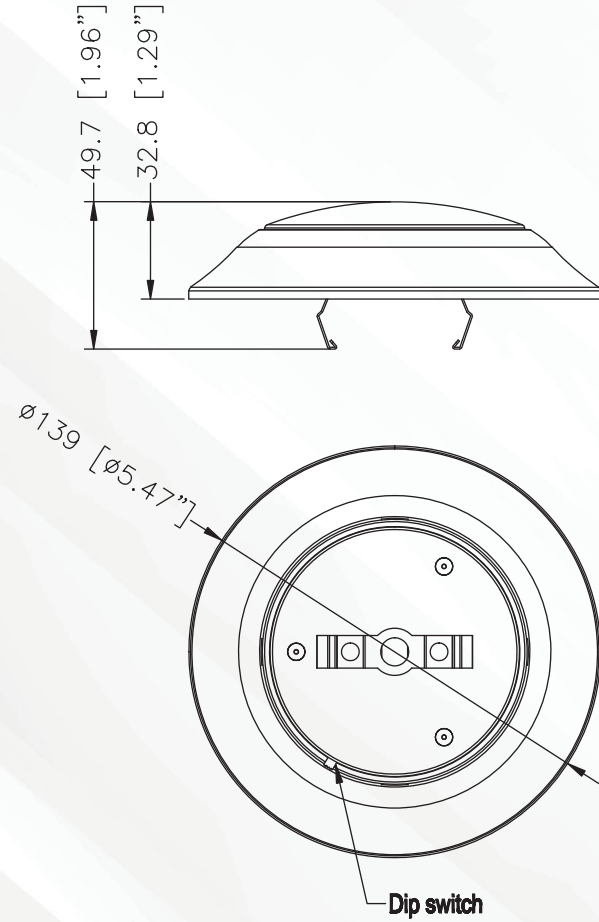
This product is suitable for use in dimming circuit. For 5-100% light control, use with a compatible dimmer. Compatible dimmers include most standard dimmers, such as Lutron :SCL-153P,CTCL-153P,DVCL-153P,MACL-153M.



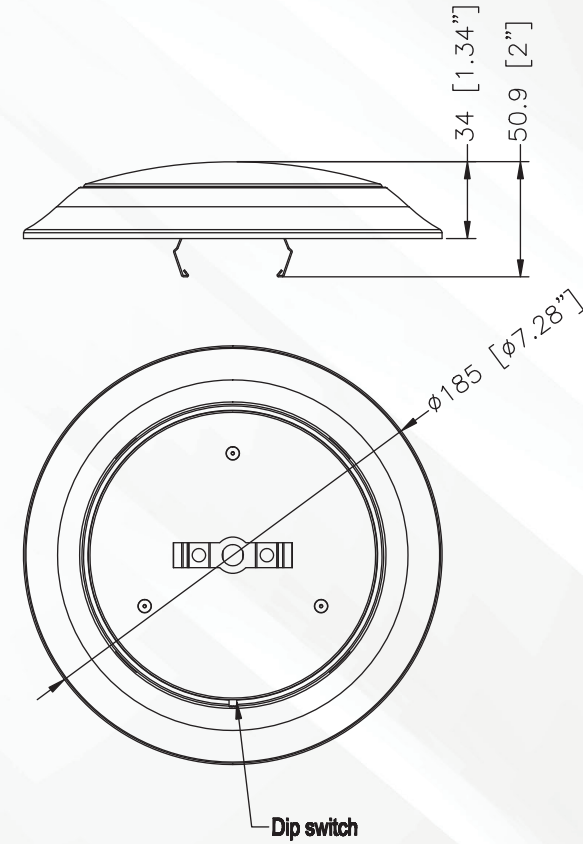
# Technical parameters

Model	CCT	Lumen(lm) (±10%)	Beam (angle)	LED Type	LED Qty.	Power(w) (±10%)	Voltage, Frequency	CRI	RF	Dimming Type	Control method
DL203T-4-10W-5CCT	2700K	680	110°	Warm White: 2835*14 Cold White: 2835*14	28	10W	AC120V /60Hz	≥80	>0.9	Triac dimmable	Change color temperature by dial switch
	3000K	730									
	3500K	780									
	4000K	800									
	5000K	760									
DL203T-4-10W-5CCT	2700K	600	110°	Warm White: 2835*14 Cold White: 2835*14	28	10W	AC120V /60Hz	≥90	>0.9	Triac dimmable	Change color temperature by dial switch
	3000K	620									
	3500K	660									
	4000K	660									
	5000K	630									
DL203T-6-15W-5CCT	2700K	1000	110°	Warm White: 2835*14 Cold White: 2835*14	28	15W	AC120V /60Hz	≥80	>0.9	Triac dimmable	Change color temperature by dial switch
	3000K	1100									
	3500K	1200									
	4000K	1200									
	5000K	1100									
DL203T-6-15W-5CCT	2700K	900	110°	Warm White: 2835*14 Cold White: 2835*14	28	15W	AC120V /60Hz	≥90	>0.9	Triac dimmable	Change color temperature by dial switch
	3000K	910									
	3500K	1000									
	4000K	1000									
	5000K	950									

# Dimensions (Unit: mm)



DL203T-4-10W-5CCT



DL203T-4-10W-5CCT

# Installation (DL203T-4-10W-5CCT)

## ACCESSORIES:

M5 Screw(2pcs)  
for 4"shrapnel

#8-32 Screw(2pcs)  
for J-BOX

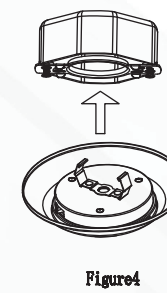
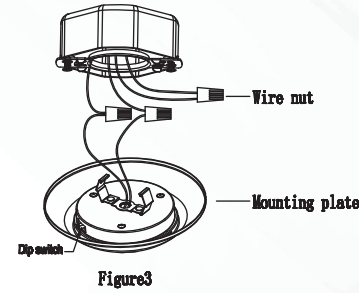
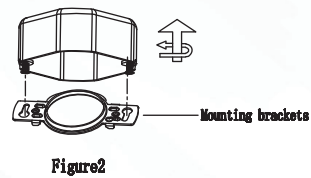
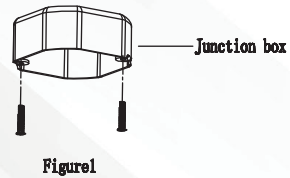
Wire nut(3pcs)  
for J-BOX and recessed mount

Mounting brackets

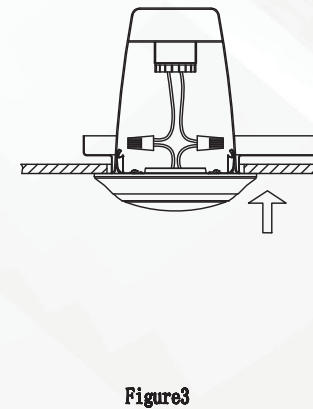
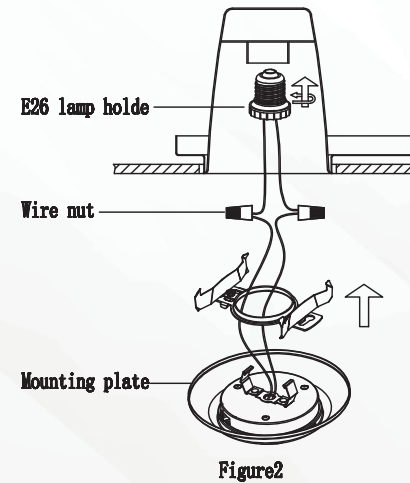
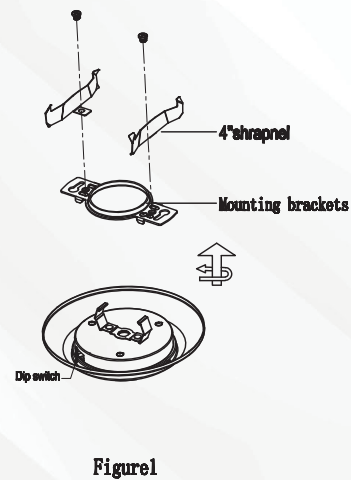
E26 base(1pcs)  
for recessed mount

4"shrapnel(2pcs)  
for 4" recessed mount

## For J-BOX



## For 4" can install





# Installation (DL203T-6-15W-5CCT)

## ACCESSORIES:



M5 Screw(2pcs)  
for 6"shrapnel



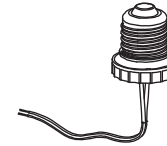
#8-32 Screw(2pcs)  
for J-BOX



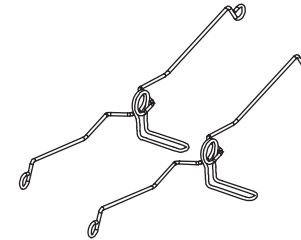
Wire nut(3pcs)  
for J-BOX and recessed mount



Mounting brackets

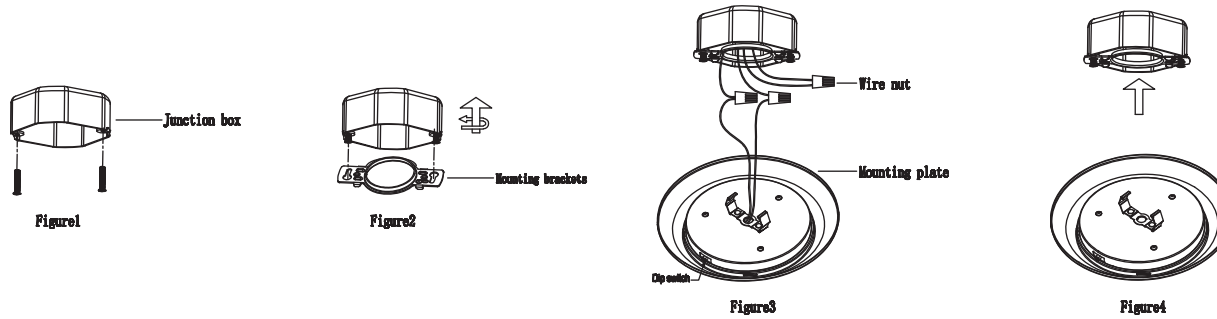


E26 base(1pcs)  
for recessed mount

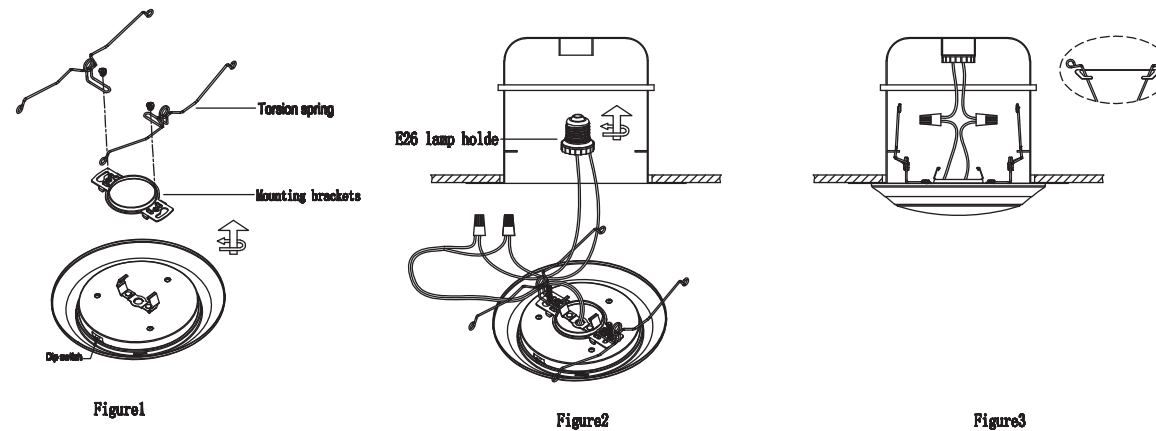


Torsion spring(2pcs)  
for 5" 6"recessed mount

## For J-BOX



## For 5" 6" can install



# Packing information

Model	Color box size	External case	Net weight	Weight of single	Weight of whole
DL203T-4-10W-5CCT	145*65*150mm	480*455*320mm 42PCS/CN	0.194Kg	0.258Kg	11.801Kg
DL203T-6-15W-5CCT	190*65*195mm	590*410*410mm 36PCS/CN	0.294Kg	0.372Kg	14.472Kg

## WARNING



- ⦿ “WARNING - Risk of fire or electric shock. LED Retrofit Kit installation requires knowledge of luminaires electrical systems. If not qualified, do not attempt to install. Contact a qualified electrician.” or equivalent in Format S24-L5.
- ⦿ “WARNING - Risk of fire or electric shock. Install this kit only in luminaires that have the construction features and dimensions shown in the photographs and/or drawings and where the input rating of the retrofit kit does not exceed the input rating of the luminaire.” or equivalent in Format S24-L5.
- ⦿ “Do not make or alter any open holes in an enclosure of wiring or electrical components during kit installation.” Verbatim in Format S24-L5.
- ⦿ “WARNING - To prevent wiring damage or abrasion, do not expose wiring to edges of sheet metal or other sharp objects.” or equivalent in Format S24-L5.
- ⦿ “This product must be installed in accordance with the applicable installation code by a person familiar with the construction and operation of the product and the hazards involved” or equivalent in Format S24-L4.