

# ML Series Commercial Downlight



## Description

The ML commercial LED Downlight designed for New or Remodel Applications.

It's offers remote J-box dimming compatibility using 0-10-volt controls and quick easy to install into existing recessed frames does not require a separate housing, and the recess fixture mounts directly into the ceiling.

ML retrofits is a highly efficient option for upgrading existing Incandescent, Fluorescent and Metal Halide downlight fixtures to energy saving LED.

Suitable for damp locations.



## Features

- High efficient design
- Easy to install, saving labor and extra housing costs
- Spring clips hold fixture firmly to ceiling
- Rated for damp locations
- Remote J-box with low voltage cable provides flexibility in mounting
- 0-10V dimming

## Applications and mounting

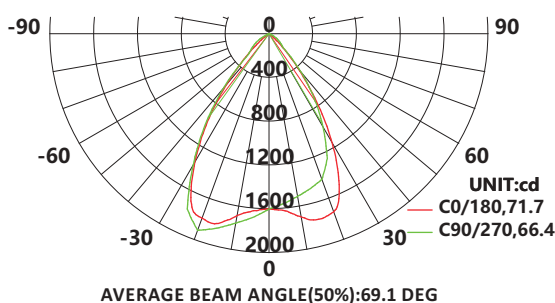
- New construction or remodel applications
- Does not require a separate housing, recess mount directly into ceiling. Simply wire and mount J-box, connect low voltage cable to fixture then secure into ceiling with spring clips.

## Technical parameters

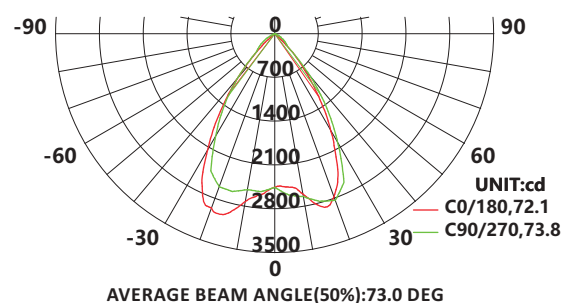
Model	CCT	Luminous flux (lm±10%)	LED type	Power(W)	Input voltage Frequency	Work temperature	CRI
ML6-025-AW-930K-01	3000K	2100	2835*64	25W	100-277Vac 50/60Hz	-20°C~40°C	≥90
ML6-025-AW-940K-01	4000K	2200					
ML6-025-AW-950K-01	5000K	2200					
ML8-038-AW-930K-01	3000K	3200	2835*104	38W			
ML8-038-AW-940K-01	4000K	3400					
ML8-038-AW-950K-01	5000K	3300					

## Photometric distribution showing intensity (candelas):

ML6-025

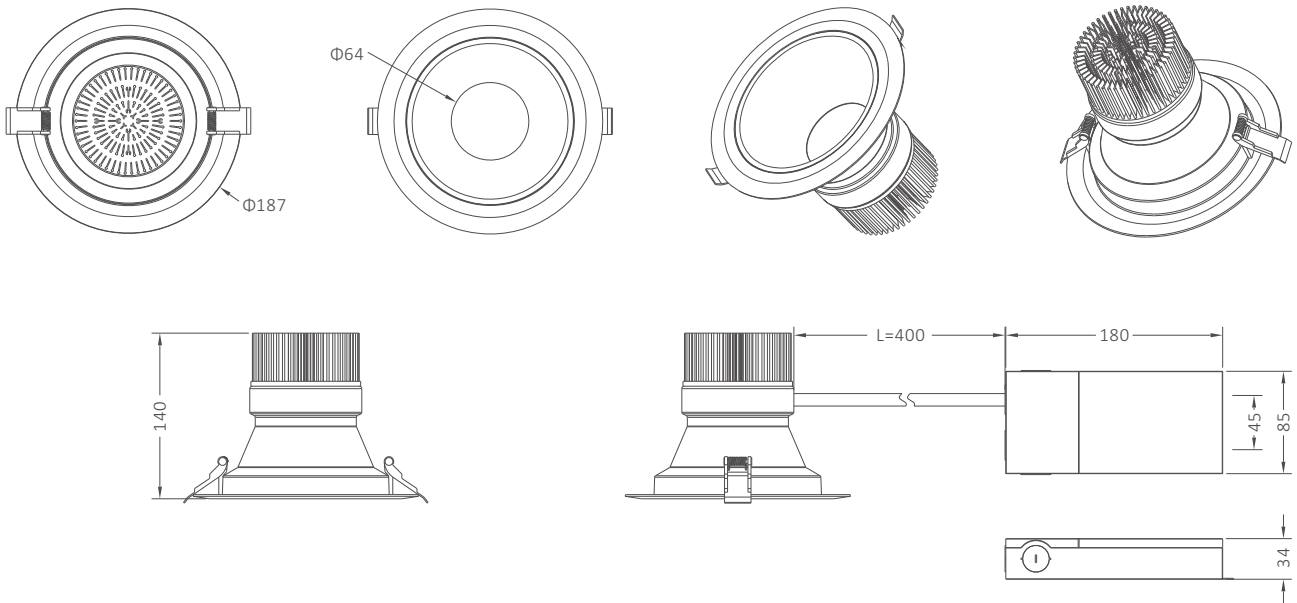


ML8-038

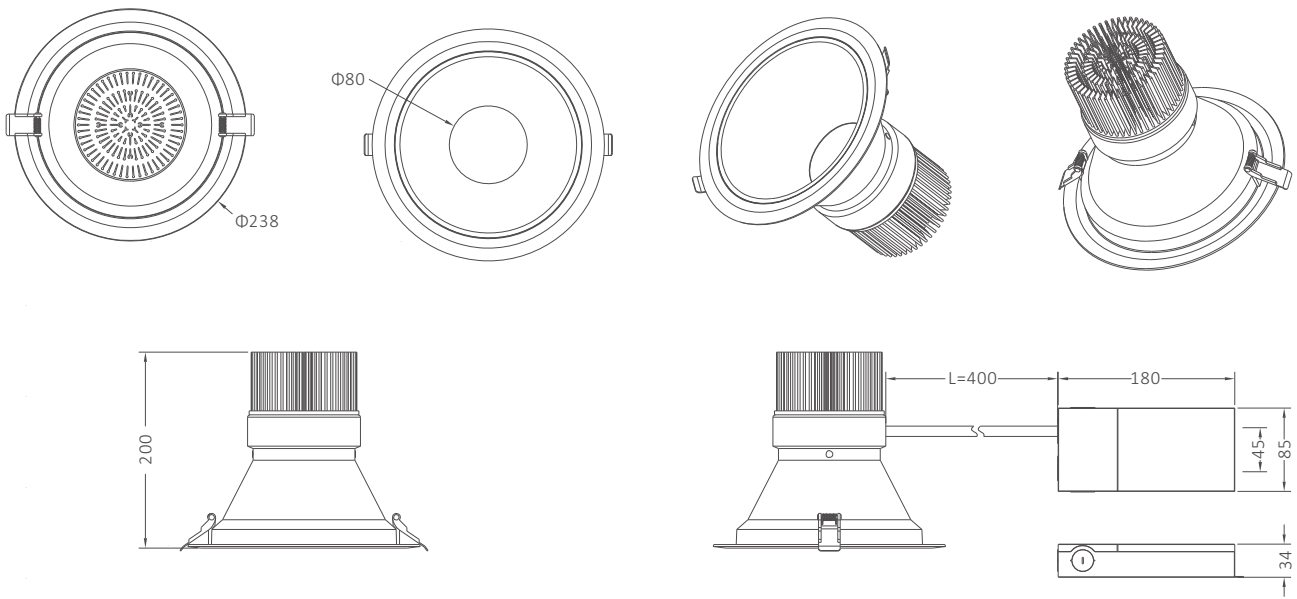


## Dimensions (unit: mm)

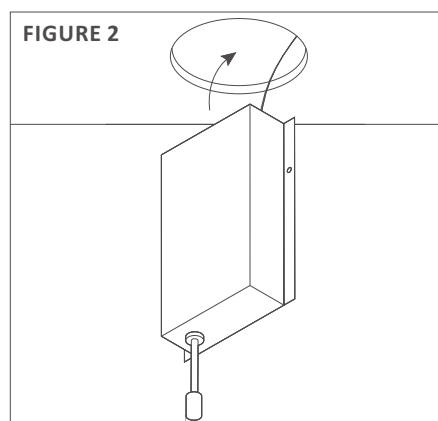
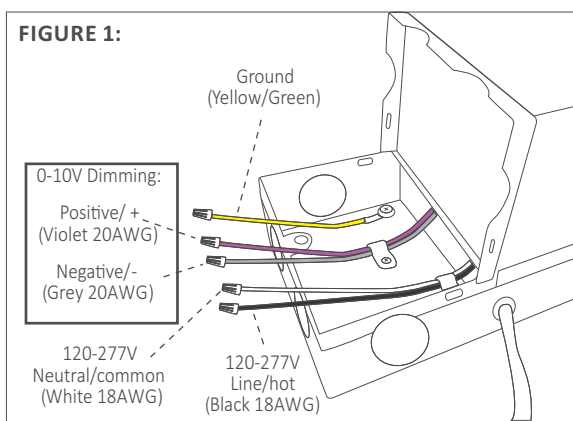
### ML6-025

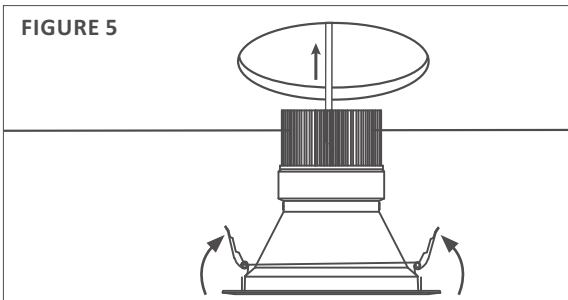
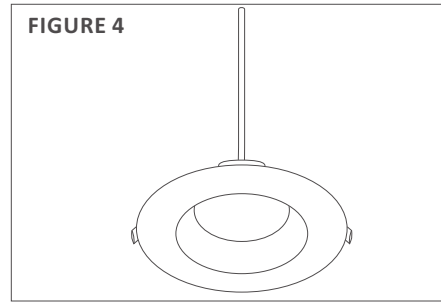
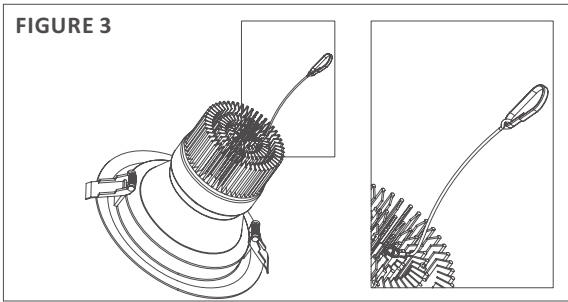


### ML8-038

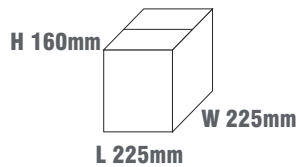
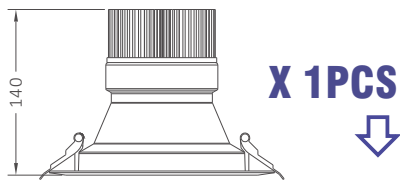


## Installation diagram

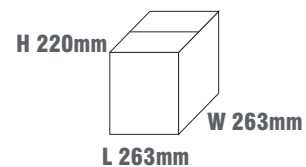
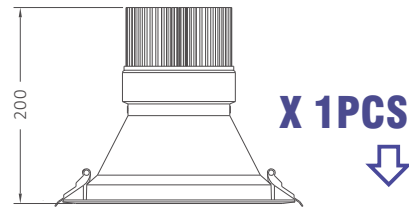
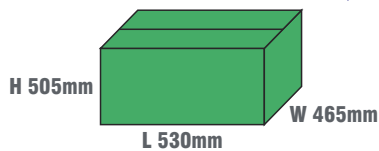




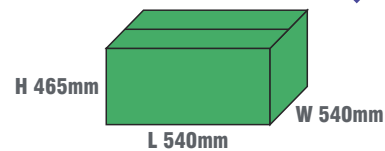
## Packaging information



**X 12PCS**



**X 8PCS**



● Product type	ML6-025	ML8-038
● Color box size	225x225x160mm	263x263x220mm
● External case size	530x465x505mm <b>12PCS/carton</b>	540x540x465mm <b>8PCS /carton</b>
● Net weight	1.01kg	1.41Kg
● Weight of single package	1.29KG	1.76KG
● Weight of whole case	16.8KG	15.6KG
● Container quantity	20-inch container 2208PCS	20-inch container 1200PCS
	40-inch common container 4608PCS	40-inch common container 2520PCS
	40-inch high container 5760PCS	40-inch high container 3192PCS

## Notice



- Please read the specification first, to make sure the service environment matches the condition in the specification before using.
- Please confirm the applicable power supply before using.
- Make sure the switch of product is off before connect to the power supply to prevent electric shock.
- Operation against rules may damage your property even harm to your personal safety.
- Dangerous high voltage, Non-professionals are not allowed to maintain the products.
- If the exterior flexible cable or wire is damaged, it must exchange by the supplier, its agent or other similar qualified personnels to avoid dangers.



Yijia Industrial Park, Fuqian Road, Guanlan Town, LongHua, Shenzhen, Guangdong, China

Tel:+86-755-27608650  
Fax:+86-755-27608651  
www.signcomplex.com  
sales@signcomplex.com