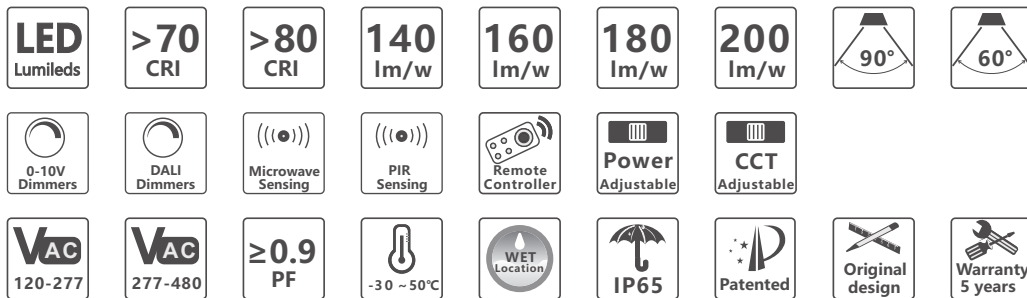




# Cibay-U High Bay Light UL Type



## Feature:

1. Meet NSF design, can be used in food factory.
2. Plug&play sensor, like Motion sensor, PIR, Daylight sensor and Bluetooth are available.
3. Power adjustable, with Dip switch, it is easy to select.
4. CCT adjustable , two-color LEDs are equally spaced and symmetrically distributed, with uniform color mixing.
5. DALI and 0-10V are optional. Our DALI module is a accessory which can save SKU.
6. High efficiency LED, 140lm/w, 160lm/w, 180lm/w, 200lm/w multiple brightness are levels is optional.
7. UV-resistant PC material optics, IK08 impact resistance grade.
8. Working temperature: -30 °C ~ + 50 °C.
9. Suitable for damp environment, slight corrosion-proof grade indoors.
10. Regular products provide Warranty is 5 years.



## Application

Suitable for large workshop, airport, warehouse, parking lot, basement, Food processing plant, gymnasium etc.

\* Traditional product can't be used outdoors

\* Suitable for damp environment, slight corrosion-proof grade indoors



## Description

Cibay-U series products have pluggable expansion interface. The interface adopts a new generation of independent patent design. The required functional modules can be inserted into the interface to obtain the corresponding functions, plug and play, without wiring, which greatly saves labor costs. The expansion interface can support microwave sensor, PIR sensor, Bluetooth sensor, signal converter, etc.

the functions required by customers can be easily installed and replaced by themselves, which is very convenient. The new generation of expandable interface can also be built with many practical functions such as adjustable power, adjustable CCT and channel switching.

All functions can be integrated with the expansion interface for centralized control, convenient and beautiful.

Cibay-U series products have a certain radian on the back, which can prevent ponding on the back and can be used in food processing plants.

## Technical parameters

Model	CCT	Lumen(lm) ±10%	Beam(angle°) ±10%	LEDs type CRI	Power(W)	Voltage Frequency	Notes	
CBU-100-AW-50K-D412/D422	5500~6500k	14000	90、60°	SMD2835 CRI>80	100W	AW:120~277VAC 50~60Hz, Max1.20A	AW-140LM/W	
CBU-100-AW-40K-D412/D422	4700~5300k	13600						
CBU-100-AW-35K-D412/D422	3700~4300k	13300						
CBU-100-AW-30K-D412/D422	2700~3200k	13000						
CBU-150-AW-50K-D412/D422	5500~6500k	21000	90、60°	SMD2835 CRI>80	150W	AW:120~277VAC 50~60Hz, Max1.80A		
CBU-150-AW-40K-D412/D422	4700~5300k	20400						
CBU-150-AW-35K-D412/D422	3700~4300k	19950						
CBU-150-AW-30K-D412/D422	2700~3200k	19500						
CBU-200-AW-50K-D412/D422	5500~6500k	28000	90、60°	SMD2835 CRI>80	200W	AW:120~277VAC 50~60Hz, Max2.30A		
CBU-200-AW-40K-D412/D422	4700~5300k	27200						
CBU-200-AW-35K-D412/D422	3700~4300k	26600						
CBU-200-AW-30K-D412/D422	2700~3200k	26000						
CBU-100-AW-50K-D612/D622	4700~5300k	16000	90、60°	SMD2835 CRI>80	100W	AW:120~277VAC 50~60Hz, Max1.20A		AW-160LM/W
CBU-100-AW-40K-D612/D622	3700~4300k	15600						
CBU-100-AW-35K-D612/D622	3300~3700k	15300						
CBU-100-AW-30K-D612/D622	2700~3200k	15000						
CBU-150-AW-50K-D612/D622	4700~5300k	24000	90、60°	SMD2835 CRI>80	150W	AW:120~277VAC 50~60Hz, Max1.80A		
CBU-150-AW-40K-D612/D622	3700~4300k	23400						
CBU-150-AW-35K-D612/D622	3300~3700k	22950						
CBU-150-AW-30K-D612/D622	2700~3200k	22500						
CBU-200-AW-50K-D612/D622	4700~5300k	32000	90、60°	SMD2835 CRI>80	200W	AW:120~277VAC 50~60Hz, Max2.30A		
CBU-200-AW-40K-D612/D622	3700~4300k	31200						
CBU-200-AW-35K-D612/D622	3300~3700k	30600						
CBU-200-AW-30K-D612/D622	2700~3200k	30000						
CBU-100-AW-50K-D812/D822	4700~5300k	17700	90、60°	SMD2835 CRI>70	100W	AW:120~277VAC 50~60Hz, Max1.20A	AW-180LM/W	
CBU-100-AW-40K-D812/D822	3700~4300k	17300						
CBU-100-AW-35K-D812/D822	3300~3700k	17000						
CBU-100-AW-30K-D812/D822	2700~3200k	16700						
CBU-150-AW-50K-D812/D822	4700~5300k	26550	90、60°	SMD2835 CRI>70	150W	AW:120~277VAC 50~60Hz, Max1.80A		
CBU-150-AW-40K-D812/D822	3700~4300k	25950						
CBU-150-AW-35K-D812/D822	3300~3700k	25500						
CBU-150-AW-30K-D812/D822	2700~3200k	25050						
CBU-200-AW-50K-D812/D822	4700~5300k	35400	90、60°	SMD2835 CRI>70	200W	AW:120~277VAC 50~60Hz, Max2.30A		
CBU-200-AW-40K-D812/D822	3700~4300k	34600						
CBU-200-AW-35K-D812/D822	3300~3700k	34000						
CBU-200-AW-30K-D812/D822	2700~3200k	33400						
CBU-100-AW-50K-DA12/DA22	4700~5300k	19500	90、60°	SMD3030 CRI>70	100W	AW:120~277VAC 50~60Hz, Max1.20A		AW-200LM/W
CBU-100-AW-40K-DA12/DA22	3700~4300k	19100						
CBU-100-AW-35K-DA12/DA22	3300~3700k	18800						
CBU-100-AW-30K-DA12/DA22	2700~3200k	18500						
CBU-150-AW-50K-DA12/DA22	4700~5300k	29250	90、60°	SMD3030 CRI>70	150W	AW:120~277VAC 50~60Hz, Max1.80A		
CBU-150-AW-40K-DA12/DA22	3700~4300k	28650						
CBU-150-AW-35K-DA12/DA22	3300~3700k	28200						
CBU-150-AW-30K-DA12/DA22	2700~3200k	27750						
CBU-200-AW-50K-DA12/DA22	4700~5300k	39000	90、60°	SMD3030 CRI>70	200W	AW:120~277VAC 50~60Hz, Max2.30A		
CBU-200-AW-40K-DA12/DA22	3700~4300k	38200						
CBU-200-AW-35K-DA12/DA22	3300~3700k	37600						
CBU-200-AW-30K-DA12/DA22	2700~3200k	37000						

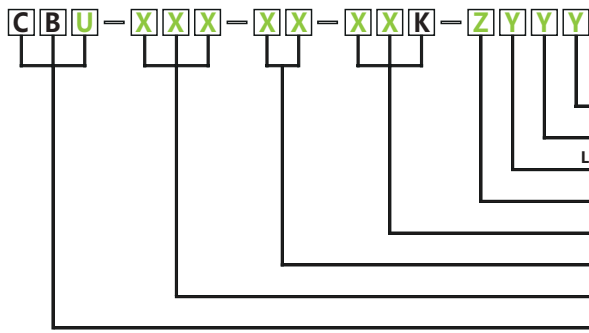
# Technical parameters

Model	CCT	Lumen(lm) ±10%	Beam(angle°) ±10%	LEDs type CRI	Power(W)	Voltage Frequency	Notes	
CBU-T100-AW-50K-D412/D422	4700~5300k	14000	90、60°	SMD2835 CRI>80	60~80~100W	AW:120~277VAC 50~60Hz, Max1.20A	Power Adjustable AW-140LM/W	
CBU-T100-AW-40K-D412/D422	3700~4300k	13600						
CBU-T100-AW-35K-D412/D422	3300~3700k	13300						
CBU-T100-AW-30K-D412/D422	2700~3200k	13000						
CBU-T150-AW-50K-D412/D422	4700~5300k	21000	90、60°	SMD2835 CRI>80	100~120~150W	AW:120~277VAC 50~60Hz, Max1.80A		
CBU-T150-AW-40K-D412/D422	3700~4300k	20400						
CBU-T150-AW-35K-D412/D422	3300~3700k	19950						
CBU-T150-AW-30K-D412/D422	2700~3200k	19500						
CBU-T200-AW-50K-D412/D422	4700~5300k	28000	90、60°	SMD2835 CRI>80	120~150~200W	AW:120~277VAC 50~60Hz, Max2.30A		
CBU-T200-AW-40K-D412/D422	3700~4300k	27200						
CBU-T200-AW-35K-D412/D422	3300~3700k	26600						
CBU-T200-AW-30K-D412/D422	2700~3200k	26000						
CBU-T100-AW-50K-D612/D622	4700~5300k	16000	90、60°	SMD2835 CRI>80	60~80~100W	AW:120~277VAC 50~60Hz, Max1.20A		Power Adjustable AW-160LM/W
CBU-T100-AW-40K-D612/D622	3700~4300k	15600						
CBU-T100-AW-35K-D612/D622	3300~3700k	15300						
CBU-T100-AW-30K-D612/D622	2700~3200k	15000						
CBU-T150-AW-50K-D612/D622	4700~5300k	24000	90、60°	SMD2835 CRI>80	100~120~150W	AW:120~277VAC 50~60Hz, Max1.80A		
CBU-T150-AW-40K-D612/D622	3700~4300k	23400						
CBU-T150-AW-35K-D612/D622	3300~3700k	22950						
CBU-T150-AW-30K-D612/D622	2700~3200k	22500						
CBU-T200-AW-50K-D612/D622	4700~5300k	32000	90、60°	SMD2835 CRI>80	120~150~200W	AW:120~277VAC 50~60Hz, Max2.30A		
CBU-T200-AW-40K-D612/D622	3700~4300k	31200						
CBU-T200-AW-35K-D612/D622	3300~3700k	30600						
CBU-T200-AW-30K-D612/D622	2700~3200k	30000						
CBU-T100-AW-50K-D812/D822	4700~5300k	17700	90、60°	SMD2835 CRI>70	60~80~100W	AW:120~277VAC 50~60Hz, Max1.20A	Power Adjustable AW-180LM/W	
CBU-T100-AW-40K-D812/D822	3700~4300k	17300						
CBU-T100-AW-35K-D812/D822	3300~3700k	17000						
CBU-T100-AW-30K-D812/D822	2700~3200k	16700						
CBU-T150-AW-50K-D812/D822	4700~5300k	26550	90、60°	SMD2835 CRI>70	100~120~150W	AW:120~277VAC 50~60Hz, Max1.80A		
CBU-T150-AW-40K-D812/D822	3700~4300k	25950						
CBU-T150-AW-35K-D812/D822	3300~3700k	25500						
CBU-T150-AW-30K-D812/D822	2700~3200k	25050						
CBU-T200-AW-50K-D812/D822	4700~5300k	35400	90、60°	SMD2835 CRI>70	120~150~200W	AW:120~277VAC 50~60Hz, Max2.30A		
CBU-T200-AW-40K-D812/D822	3700~4300k	34600						
CBU-T200-AW-35K-D812/D822	3300~3700k	34000						
CBU-T200-AW-30K-D812/D822	2700~3200k	33400						
CBU-T100-AW-50K-DA12/DA22	4700~5300k	19500	90、60°	SMD3030 CRI>70	60~80~100W	AW:120~277VAC 50~60Hz, Max1.20A		Power Adjustable AW-200LM/W
CBU-T100-AW-40K-DA12/DA22	3700~4300k	19100						
CBU-T100-AW-35K-DA12/DA22	3300~3700k	18800						
CBU-T100-AW-30K-DA12/DA22	2700~3200k	18500						
CBU-T150-AW-50K-DA12/DA22	4700~5300k	29250	90、60°	SMD3030 CRI>70	100~120~150W	AW:120~277VAC 50~60Hz, Max1.80A		
CBU-T150-AW-40K-DA12/DA22	3700~4300k	28650						
CBU-T150-AW-35K-DA12/DA22	3300~3700k	28200						
CBU-T150-AW-30K-DA12/DA22	2700~3200k	27750						
CBU-T200-AW-50K-DA12/DA22	4700~5300k	39000	90、60°	SMD3030 CRI>70	120~150~200W	AW:120~277VAC 50~60Hz, Max2.30A		
CBU-T200-AW-40K-DA12/DA22	3700~4300k	38200						
CBU-T200-AW-35K-DA12/DA22	3300~3700k	37600						
CBU-T200-AW-30K-DA12/DA22	2700~3200k	37000						

# Technical parameters

Model	CCT	Lumen(lm) ±10%	Beam(angle°) ±10%	LEDs type CRI	Power(W)	Voltage Frequency	Notes
CBU-100-HV-50K-D414/D424	4700~5300k	13800	90、60°	SMD2835 CRI>80	100W	HV:277~480VAC 50~60Hz, Max0.60A	HV-140LM/W
CBU-100-HV-40K-D414/D424	3700~4300k	13600					
CBU-100-HV-35K-D414/D424	3300~3700k	13400					
CBU-100-HV-30K-D414/D424	2700~3200k	12800					
CBU-150-HV-50K-D414/D424	4700~5300k	20700	90、60°	SMD2835 CRI>80	150W	HV:277~480VAC 50~60Hz, Max0.85A	
CBU-150-HV-40K-D414/D424	3700~4300k	20400					
CBU-150-HV-35K-D414/D424	3300~3700k	20100					
CBU-150-HV-30K-D414/D424	2700~3200k	19200					
CBU-200-HV-50K-D414/D424	4700~5300k	27600	90、60°	SMD2835 CRI>80	200W	HV:277~480VAC 50~60Hz, Max1.20A	
CBU-200-HV-40K-D414/D424	3700~4300k	27200					
CBU-200-HV-35K-D414/D424	3300~3700k	26800					
CBU-200-HV-30K-D414/D424	2700~3200k	25600					
CBU-100-AW-TCK-D412/D422	2700~5300k (30k~40k~50k)	12800~14200	90、60°	SMD2835 CRI>80	100W	AW:120~277VAC 50~60Hz, Max1.20A	CCT Adjustable AW-140LM/W
CBU-150-AW-TCK-D412/D422		19200~21300			150W	AW:120~277VAC 50~60Hz, Max1.80A	
CBU-200-AW-TCK-D412/D422		25600~28400			200W	AW:120~277VAC 50~60Hz, Max2.30A	
CBU-100-AW-TCK-D612/D622	2700~5300k (30k~40k~50k)	14800~16200	90、60°	SMD2835 CRI>80	100W	AW:120~277VAC 50~60Hz, Max1.20A	CCT Adjustable AW-160LM/W
CBU-150-AW-TCK-D612/D622		22200~24300			150W	AW:120~277VAC 50~60Hz, Max1.80A	
CBU-200-AW-TCK-D612/D622		29600~32400			200W	AW:120~277VAC 50~60Hz, Max2.30A	
CBU-T100-AW-TCK-D412/D422	2700~5300k (30k~40k~50k)	12800~14200	90、60°	SMD2835 CRI>80	60~80~100W	AW:120~277VAC 50~60Hz, Max1.20A	CCT+Power Adjustable AW-140LM/W
CBU-T150-AW-TCK-D412/D422		19200~21300			100~120~150W	AW:120~277VAC 50~60Hz, Max1.80A	
CBU-T200-AW-TCK-D412/D422		25600~28400			120~150~200W	AW:120~277VAC 50~60Hz, Max2.30A	
CBU-T100-AW-TCK-D612/D622	2700~5300k (30k~40k~50k)	14800~16200	90、60°	SMD2835 CRI>80	60~80~100W	AW:120~277VAC 50~60Hz, Max1.20A	CCT+Power Adjustable AW-160LM/W
CBU-T150-AW-TCK-D612/D622		22200~24300			100~120~150W	AW:120~277VAC 50~60Hz, Max1.80A	
CBU-T200-AW-TCK-D612/D622		29600~32400			120~150~200W	AW:120~277VAC 50~60Hz, Max2.30A	
CBU-240-AW-50K-D412/D422	5500~6500k	33600	90、60°	SMD2835 CRI>80	240W	AW:120~277VAC 50~60Hz, Max2.70A	AW-140LM/W
CBU-240-AW-40K-D412/D422	4700~5300k	32640					
CBU-240-AW-35K-D412/D422	3700~4300k	31920					
CBU-240-AW-30K-D412/D422	2700~3200k	31200					
CBU-T240-AW-50K-D412/D422	5500~6500k	33600	90、60°	SMD2835 CRI>80	150~200~240W	AW:120~277VAC 50~60Hz, Max2.70A	Power Adjustable AW-140LM/W
CBU-T240-AW-40K-D412/D422	4700~5300k	32640					
CBU-T240-AW-35K-D412/D422	3700~4300k	31920					
CBU-T240-AW-30K-D412/D422	2700~3200k	31200					

## Model rule



The list is the sample model, please refer to the model rules for details

\* "X, Y" maybe 0 TO 9, A TO Z. "Z" maybe D, S

**Power supply type** \* 2: Lifud-AW (120-277VAC); 4: SOSEN-HV(277-480VAC)

**Angle** \* 1: 90°; 2: 60°

**Luminous efficiency** \* 4: 140 lm/W level; 6: 160 lm/W level; 8: 180 lm/W level; A: 200 lm/W level

**Function** \* D: Dimming; S: sensing & intelligent control; Blank: Nonfunctional

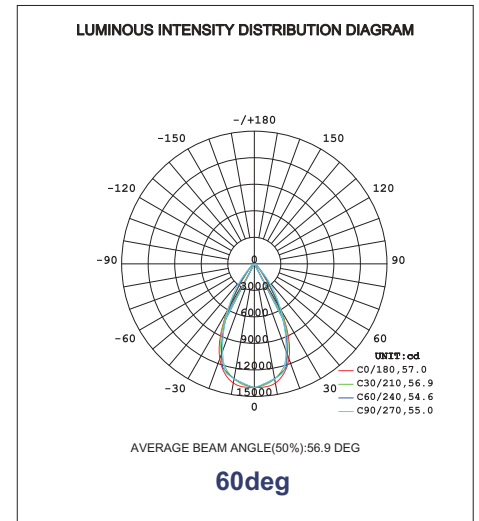
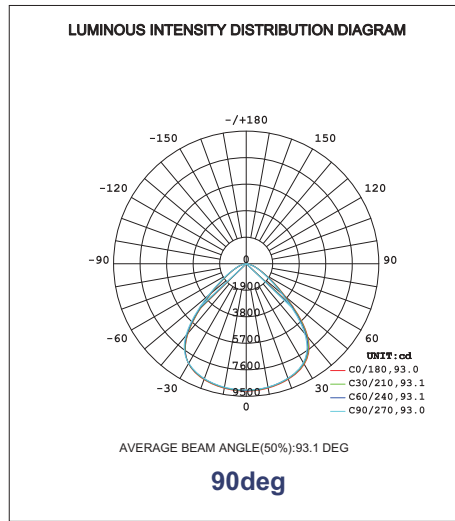
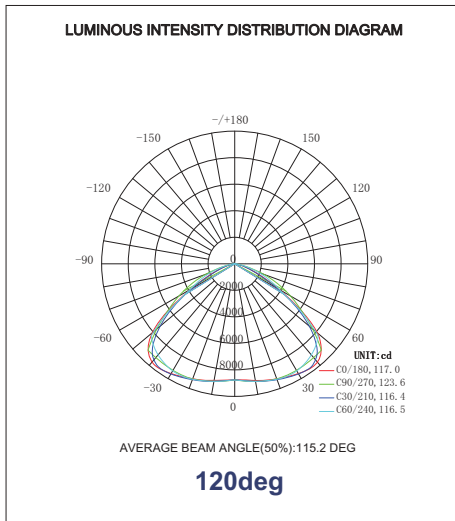
**CCT** \* 30K(3000K); 35K(3500K); 40K(4000K); 50K(5000K); CCT adjustable: TCK(2700~5300K)

**Voltage** \* AW: 120-277VAC; HV: 277-480VAC

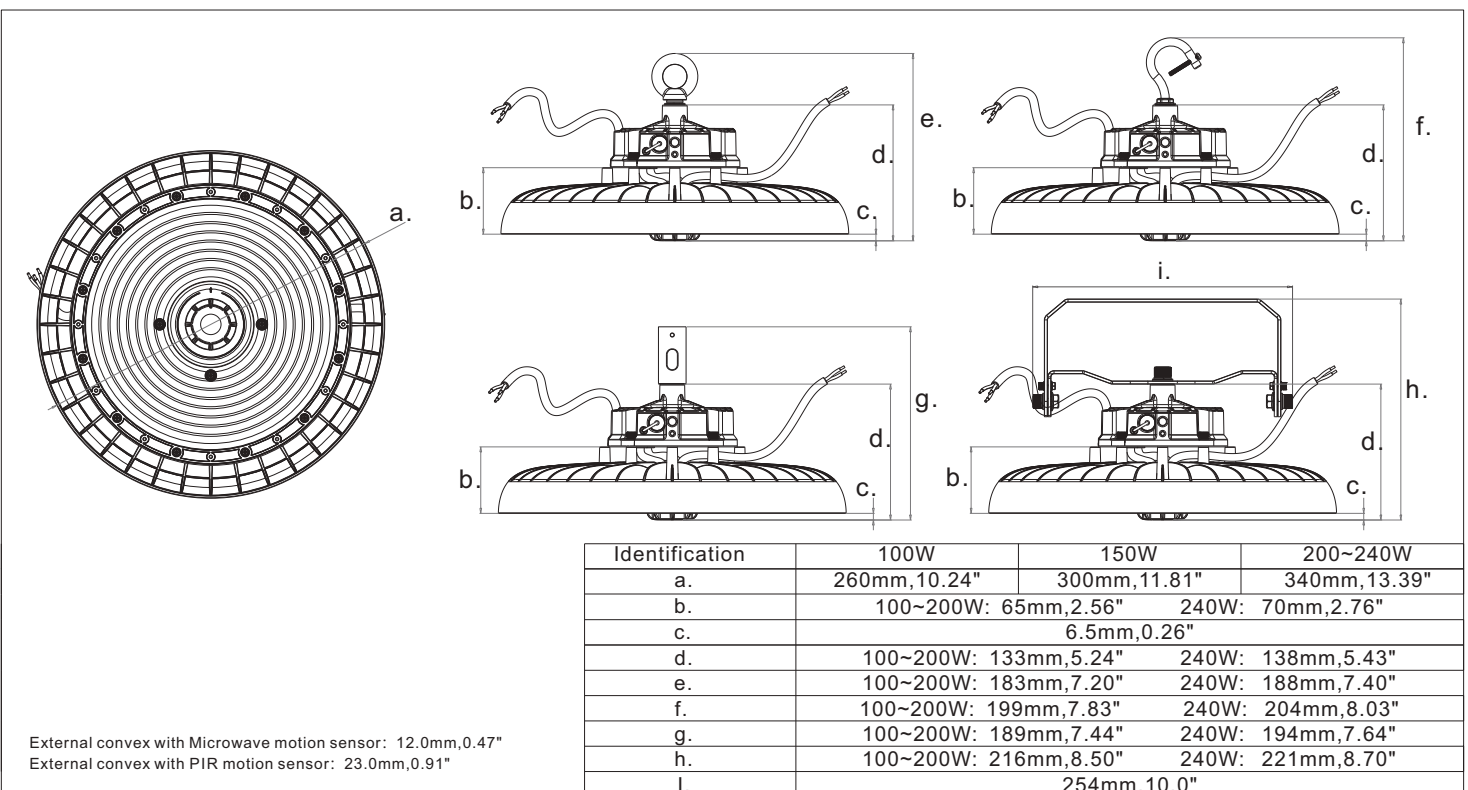
**power** \* 100W; 150W; 200W; 240W; Power adjustable: T100W; T150W; T200W; T240W

**Category** \* Cibay-U High Bay Light

## Distribution Diagram



## Dimension(Unit:mm/inch)

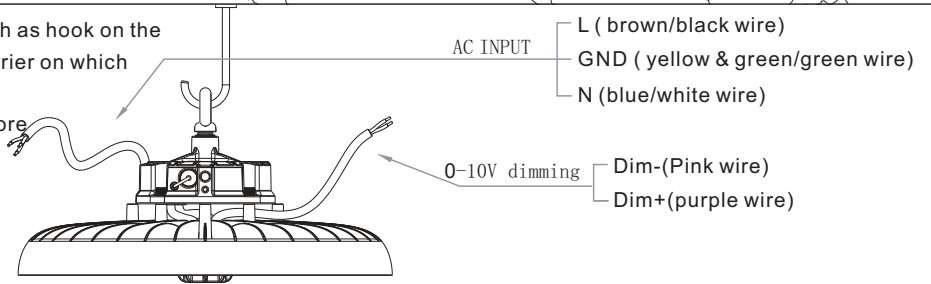


# Product Installation

## Suspender ring installation

The lifting ring is applicable to pendant with opening such as hook on the ceiling, climbing button carabiner as well as pendant carrier on which an opening may be made.

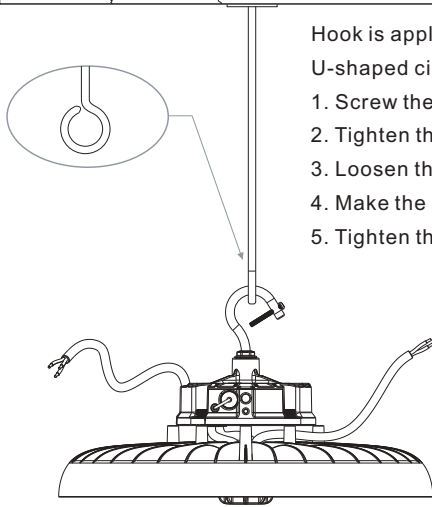
1. Screw the lifting ring into the interface on light top before installation.
2. Tighten the auxiliary anti-falling screws at side of the interface.
3. Make the hook on the ceiling thread through the lifting ring and hang the light stably.
4. If the pendant has lock catch or anti-off device, they should be at effective state.



## hook installation

Hook is applicable to be installed on sealed ring structure or pipes such as sealing hook, U-shaped circle hook, steel pipes or other carriers.

1. Screw the hook into the interface on light top before installation.
2. Tighten the auxiliary anti-off screws at side of the interface.
3. Loosen the sealing screws of the hook (the hook has an opening about 30mm).
4. Make the hook thread through the sealing ring and hang the light stably.
5. Tighten the sealing screws of the hook.

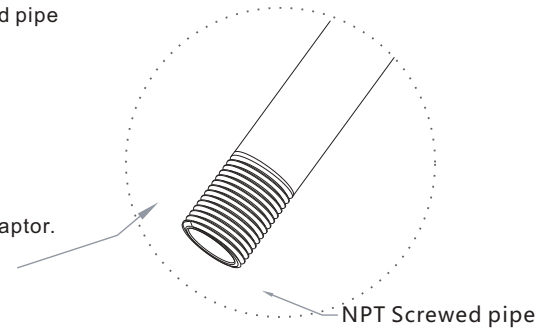
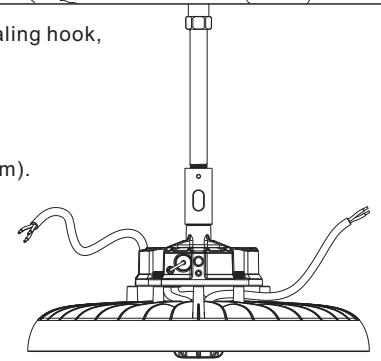


There are two types of adaptors for installation of corrugated pipe including 1/2NPT or 3/4NPT corrugated hose adaptors. As the installation mode of corrugated pipe is special, the supporting hose should meet the following characters :

- a. reach the bearing requirements no matter it is hard pipe or flexible pipes.
- b. The pipe opening has 1/2NPT or 3/4NPT threads.
- c. The thread length of pipe should be <25mm. It is suggested about 20mm.

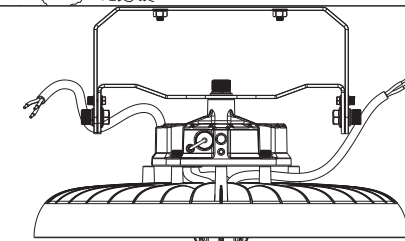
1. Use M10 hexagon socket head cap screws to fix the adaptor at top interface of the light.
2. If the wire goes through the pipe, thread the cable into pipe cavity from side hole of the adaptor.
3. Tighten the auxiliary anti-off screws at side of the interface.
4. Perform spiral connection between the threaded pipes and adaptor.
5. Tighten the auxiliary anti-slide screws on the adaptor.

## pipe installation

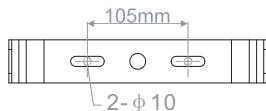


## U Bracket Ceiling or Wall Installation

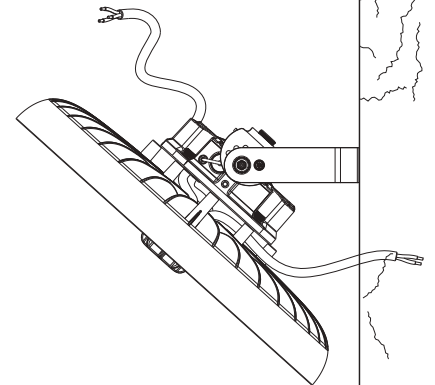
The U-shaped support is applicable to wall installation or ceiling installation. The installation position should comply with the bearing requirements. The following recommended size should be observed to open holes on the walls.



1. Insert the expansion screws into wall holes.
2. Make the head of expansion screws through installation hole of U-shaped support.
3. Tighten the expansion screws to make the support suck on the walls firmly.
4. Dismantle the auxiliary screws on two sides of the support and loose screws of the spindle slightly.
5. Rotate the support to suitable degree and replace auxiliary screws at two sides.

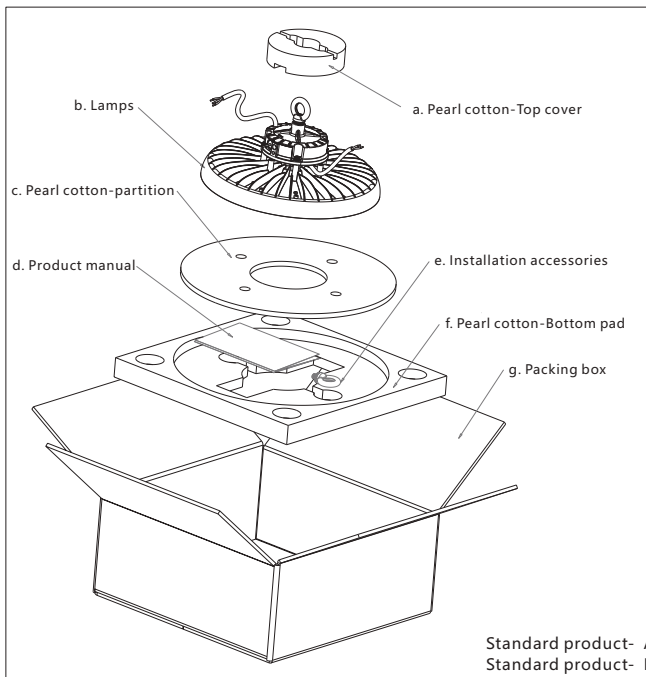


Recommended dimension of drilling hole



The power supply should be cut off during installation. If it is used in environment with vibration, the safety rope should be provided. In case of installation with lifting ring and hook, Can be extended by chain. Any installation mode should ensure that the carrier reaches effective bearing. The bearing capacity is four times or above of the total hung weight at least. The disconnection of power supply should be kept for 30 minutes at least for maintenance to prevent scalding by high heat.

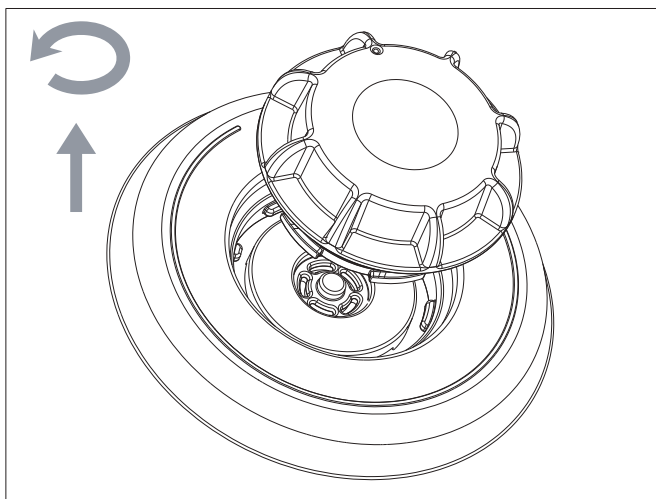
## Package information



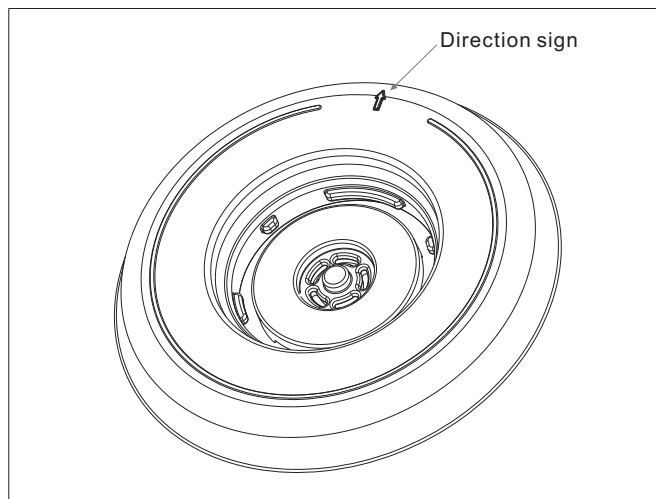
Power	100W	150W	200W	240W
AW- Net weight	2.00Kg	2.40Kg	3.00Kg	3.30Kg
AW- box dimension	310*310*180mm	345*345*180mm	385*385*180mm	385*385*180mm
AW- Pack Quantity	1pcs	1pcs	1pcs	1pcs
AW- Gross Weight	2.80Kg	3.40Kg	4.20Kg	4.50Kg
HV- Net weight	2.30Kg	2.70Kg	3.80Kg	4.10Kg
HV- box dimension	310*310*180mm	345*345*180mm	385*385*180mm	385*385*180mm
HV- Pack Quantity	1pcs	1pcs	1pcs	1pcs
HV- Gross Weight	3.10Kg	3.70Kg	5.00Kg	5.30Kg

Identification	Quantity
a. Pearl cotton-Top cover	1pcs
b. Lamps	1pcs
c. Pearl cotton-partition	1pcs
d. Product manual	1pcs
e. Installation accessories	1pcs
f. Pearl cotton-Bottom pad	1pcs
g. Packing box	1pcs

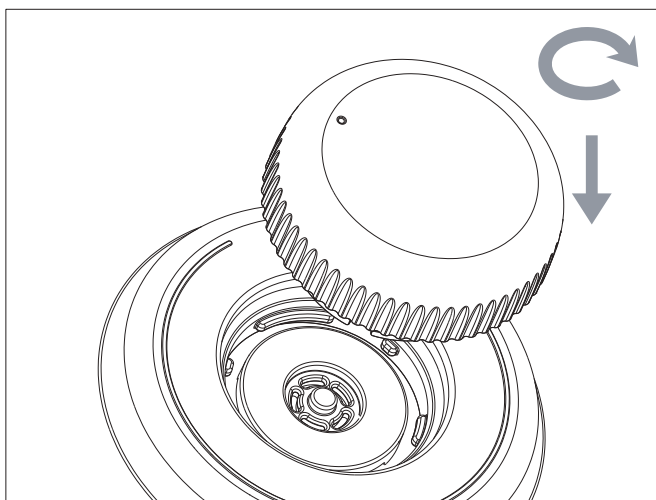
## Expansion module installation



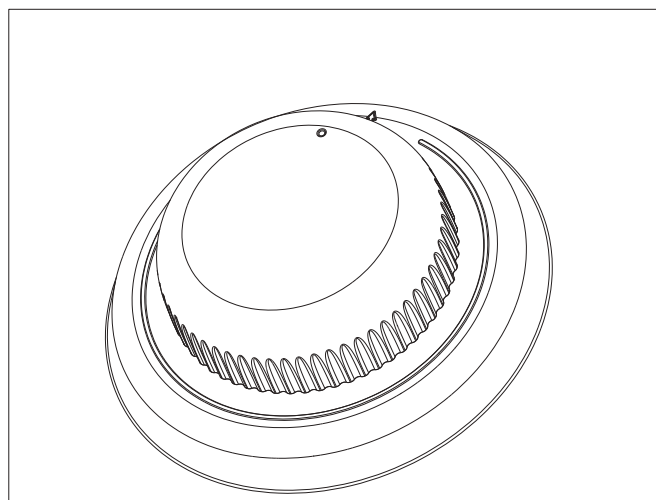
1. Rotate the sealing cover counterclockwise until it cannot be rotated. Pull it outward and remove the sealing cover



2. Please store the removed sealing cover for future use



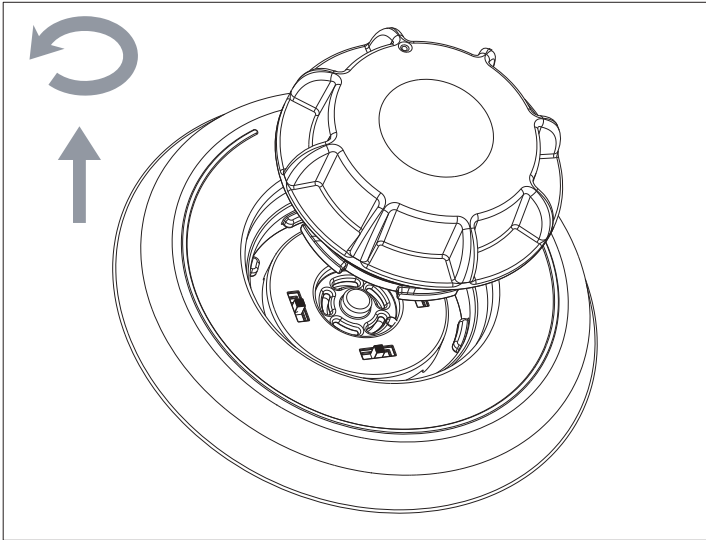
3. Place the plug part of the module on the expansion interface and find the only installation position through 360° rotation. When rotating to the correct position, the module will be embedded downward. You can also refer to the direction guide arrow, and then rotate clockwise to complete the installation. When it cannot rotate again, it is locked.



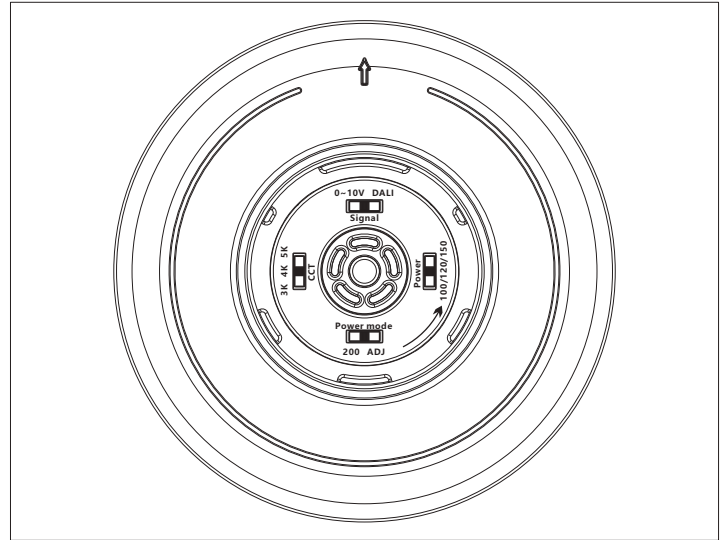
4. The installation should be carried out without power supply connected. Recheck and relevant test should be conducted after completion of installation. After the correct installation, the marking point of the module shall be in the same direction as the interface direction arrow



# Dial setting



1. Rotate the sealing cover counterclockwise until it cannot be rotated. Pull it outward and remove the sealing cover

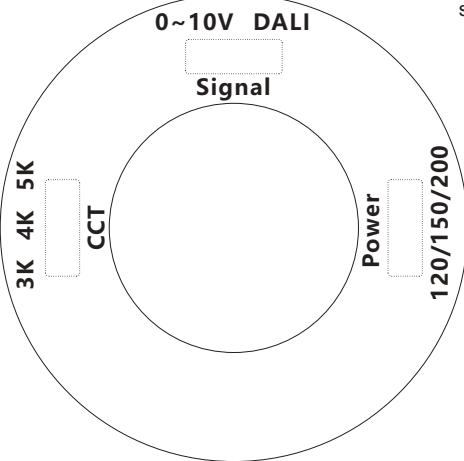


2. Restore the sealing cover after commissioning

## Commissioning instructions

### Optional Features

Set to 3K=3000K  
Set to 4K=4000K  
Set to 5K=5000K  
Other color temperatures can be selected



3-gear power adjustable

### Standard configuration

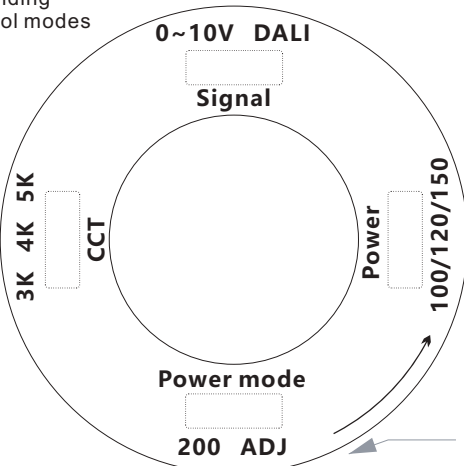
Set to 0 ~ 10V,  
the lamp can receive 0 ~ 10V dimming signal  
Set to DALI,  
Converter mode, insert the corresponding  
signal converter to obtain other control modes

### Optional Features

Set to 120=120W  
Set to 150=150W  
Set to 200=200W  
Any power option can be set within the  
rated range before leaving the factory

### Standard configuration

Set to 0 ~ 10V,  
the lamp can receive 0 ~ 10V dimming signal  
Set to DALI,  
Converter mode, insert the corresponding  
signal converter to obtain other control modes



4-gear power adjustable

### Optional Features

Set to 100=100W  
Set to 120=120W  
Set to 150=150W  
Any power option can be set within the  
rated range before leaving the factory

### Optional Features

Set to 3K=3000K  
Set to 4K=4000K  
Set to 5K=5000K  
Other color temperatures can be selected

### Optional Features

Set to 200=200W  
Maximum power mode, The power debugging  
dial is shielded and invalid  
Set to ADJ=Power adjustable mode

## Installation requirements

1. Disconnect power supply, and read product instructions carefully;
2. Ensure installation accessories and installation environment conform to bearing requirement;
3. Check whether the installation accessories are damaged or not, and install accessories to lamp reliably;
4. Different installation environment match corresponding installation accessories, do not use or change at will;
5. If the installation fittings has auxiliary parts such as skidproof screw, notice how it works, please do not ignore it;
6. If the light is installed in vibration environment, please add anti-falling safety rope to ensure reliability of installation;
7. Connect power supply wire reliably according to specified polarity; I-type lamp with grounding line shall be earthed reliably and the connection points must have insulation measures;
8. When the installation is completed, check whether all parts is reliable and can work properly.

## Notice

1. Please first read the product specification carefully, make sure the using environment conform to specification, then it can be used;
2. Please confirm the input voltage and frequency before use;
3. This product must be installed by professionals;
4. If there is any damage to the power wire or shell of the product, it shall be taken as defective product and do not use it;
5. Dangerous high voltage, non-professionals are not allowed to maintain the product;
6. If external soft cable or soft wire of the light is damaged, it shall be replaced by manufacturer or service agent or personnel with similar qualification to avoid danger;
7. Corrosivity in the using environment can't exceed the specified anti-corrosion grade, if you have special requirement, please first consult with our company.