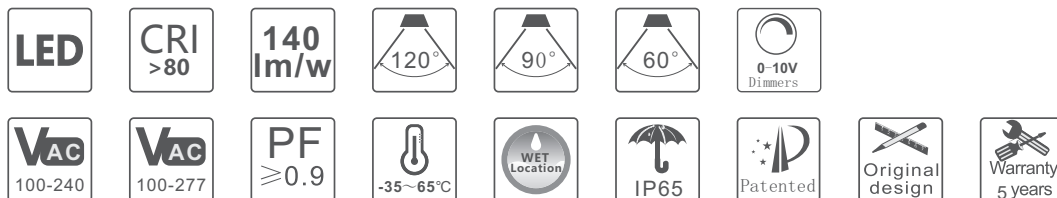




Cibay-T1 High Bay Light CE Type



Feature:

1. Built in overtemperature protection which can ensure lamp has longer lifespan.
2. It can be used in harsh environment with ambient temperature less than 65 °C.
3. UV-resistant PC material optics, IK08 impact resistance grade.
4. The LEDs are arranged symmetrically in a circle, so that heat source can be evenly distributed, have high efficient heat conduction.
5. Working temperature: -35 °C ~ + 65 °C.
6. Suitable for damp environment, slight corrosion-proof grade indoors.
7. Regular products provide Warranty is 5 years.



Application

Suitable for Smelter, refineries, Boiler plant and other high temperature application.

*** Traditional product can't be used outdoors**

*** Suitable for damp environment, slight corrosion-proof grade indoors**



Description

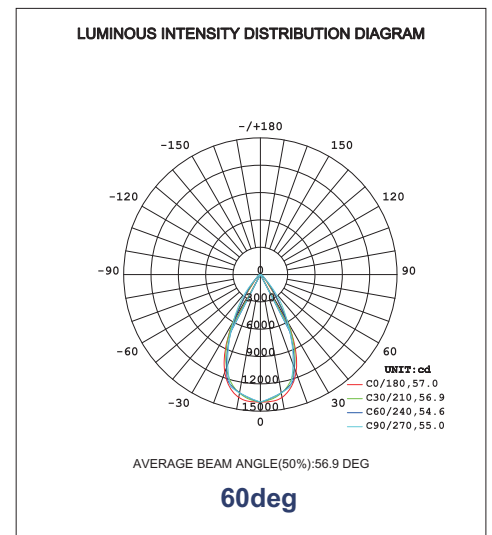
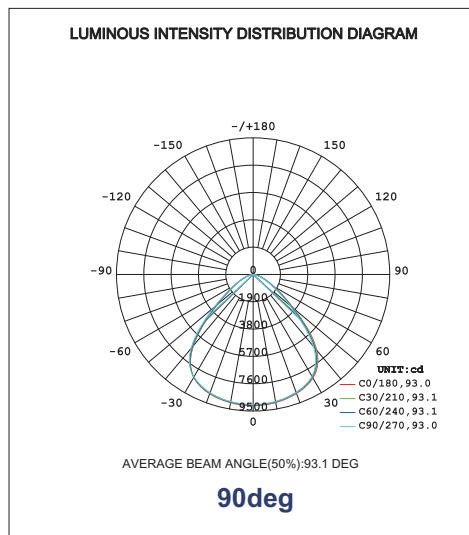
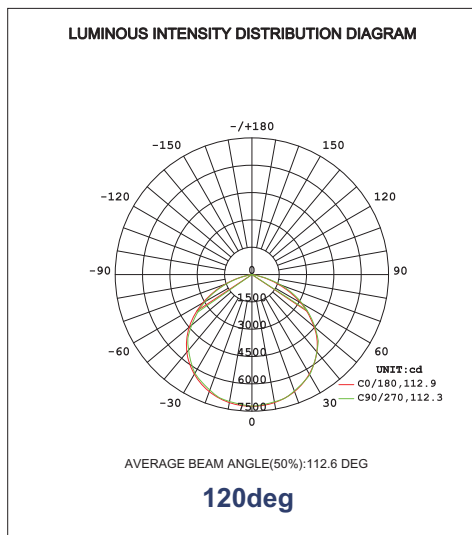
Cibay-T1 high bay, which is applied to ambient high temperature working area where operation temperature may reach 65°C, such as Steel plant, Aluminum smeltery, and other High-temperature environment.

Cibay-T1 is with built-in overtemperature protection which has high temperature control accuracy and sensitive.

60 degrees, 90 degrees, 120 degrees three kinds of lens optional, the end customer can also change, convenient and practical.

| Model | CCT | Lumen(lm) ±10% | Beam (angle°) ±10% | LEDs type CRI | Power(w) ±10% | Voltage Frequency |
|----------------------|-------|-------------------|-----------------------|------------------|------------------|----------------------------------|
| CBT1-100-AW-60K-D001 | 6000k | 13400 | 120° | SMD Ra > 80 | 100W | AW:100-240VAC 50-60Hz,Max1.2A |
| CBT1-100-AW-40K-D001 | 4000k | 13270 | 90° | | | |
| CBT1-100-AW-30K-D001 | 3000k | 12300 | 60° | | | |
| CBT1-120-AW-60K-D001 | 6000k | 17400 | 120° | SMD Ra > 80 | 120W | AW:100-240VAC 50-60Hz,Max1.4A |
| CBT1-120-AW-40K-D001 | 4000k | 17160 | 90° | | | |
| CBT1-120-AW-30K-D001 | 3000k | 16320 | 60° | | | |
| CBT1-150-AW-60K-D001 | 6000k | 22500 | 120° | SMD Ra > 80 | 150W | AW:100-240VAC 50-60Hz,Max1.8A |
| CBT1-150-AW-40K-D001 | 4000k | 22200 | 90° | | | |
| CBT1-150-AW-30K-D001 | 3000k | 21150 | 60° | | | |
| CBT1-200-AW-60K-D001 | 6000k | 28000 | 120° | SMD Ra > 80 | 200W | AW:100-240VAC 50-60Hz,Max2.3A |
| CBT1-200-AW-40K-D001 | 4000k | 27600 | 90° | | | |
| CBT1-200-AW-30K-D001 | 3000k | 26200 | 60° | | | |

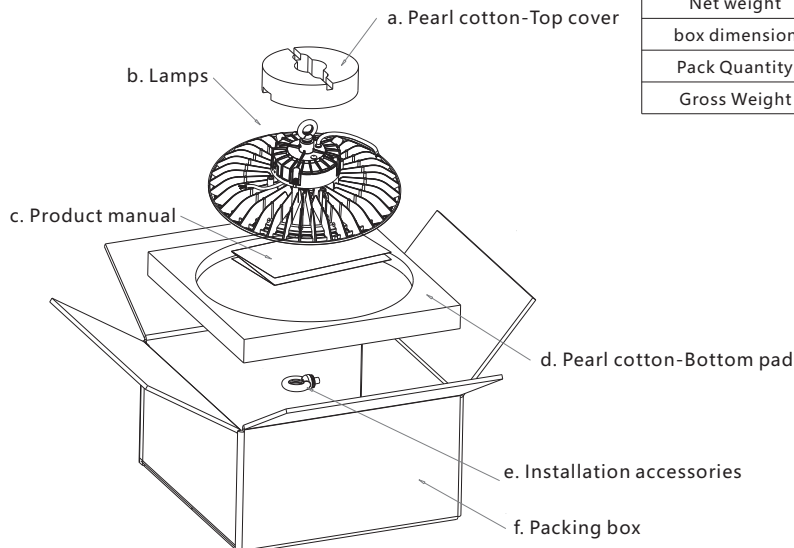
Distribution Diagram



Package information

Optional packaging

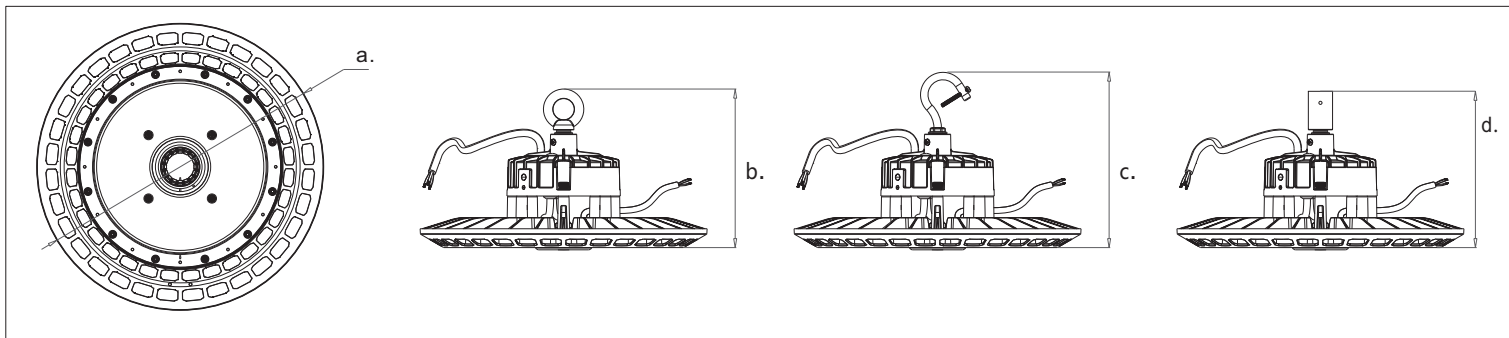
| | 100W | 120W | 150W | 200W |
|---------------|---------------|---------------|---------------|---------------|
| Power | 100W | 120W | 150W | 200W |
| Net weight | 2.80Kg | 3.30Kg | 3.90Kg | 5.30Kg |
| box dimension | 375*375*195mm | 415*415*205mm | 450*450*205mm | 450*450*225mm |
| Pack Quantity | 1pcs | 1pcs | 1pcs | 1pcs |
| Gross Weight | 3.80Kg | 4.50Kg | 5.30Kg | 6.80Kg |



Standard product- AC Input Wire 0.4m
 Standard product- Dimming Wire 0.4m

| Identification | Quantity |
|-----------------------------|----------|
| a. Pearl cotton-Top cover | 1pcs |
| b. Lamps | 1pcs |
| c. Product manual | 1pcs |
| d. Pearl cotton-Bottom pad | 1pcs |
| e. Installation accessories | 1pcs |
| f. Packing box | 1pcs |

Dimension(Unit:mm/inch)



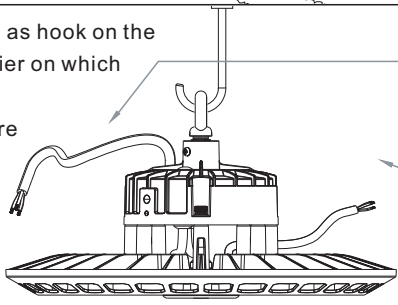
| Identification | 100W | 120W | 150W | 200W |
|----------------|---------------|---------------|---------------|---------------|
| a. | φ320mm,12.60" | φ360mm,14.17" | φ400mm,15.74" | φ400mm,15.74" |
| b. | 184mm,7.24" | 189mm,7.44" | 192mm,7.56" | 207mm,8.15" |
| c. | 224mm,8.82" | 229mm,9.02" | 232mm,9.13" | 247mm,9.72" |
| e. | 197mm,7.76" | 202mm,7.95" | 205mm,8.07" | 220mm,8.66" |

Product Installation

Suspension ring installation

The lifting ring is applicable to pendant with opening such as hook on the ceiling, climbing button carabiner as well as pendant carrier on which an opening may be made.

1. Screw the lifting ring into the interface on light top before installation.
2. Tighten the auxiliary anti-falling screws at side of the interface.
3. Make the hook on the ceiling thread through the lifting ring and hang the light stably.
4. If the pendant has lock catch or anti-off device, they should be at effective state.

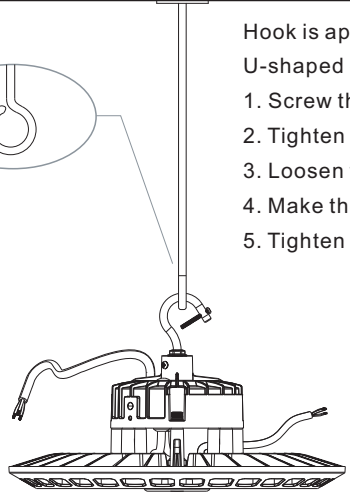


- AC INPUT
- L (brown/black wire)
 - GND (yellow & green/green wire)
 - N (blue/white wire)
- 1-10V dimming
- Dim-(white /gray wire)
 - V Aux (Black & white wire)
 - Dim+(blue/purple wire)

hook installation

Hook is applicable to be installed on sealed ring structure or pipes such as sealing hook, U-shaped circle hook, steel pipes or other carriers.

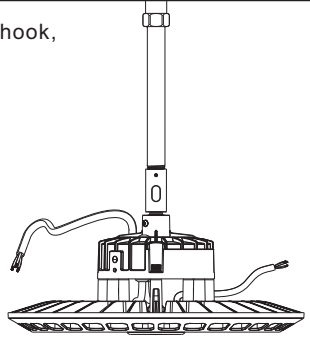
1. Screw the hook into the interface on light top before installation.
2. Tighten the auxiliary anti-off screws at side of the interface.
3. Loosen the sealing screws of the hook (the hook has an opening about 30mm).
4. Make the hook thread through the sealing ring and hang the light stably.
5. Tighten the sealing screws of the hook.



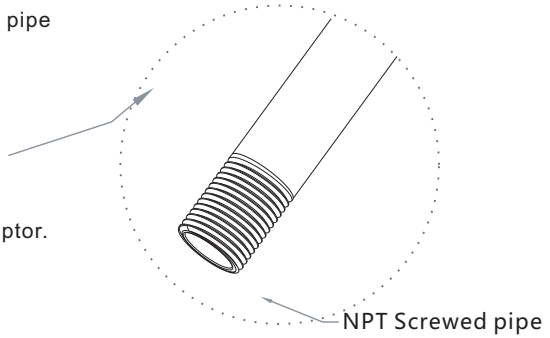
There are two types of adaptors for installation of corrugated pipe including 1/2NPT or 3/4NPT corrugated hose adaptors. As the installation mode of corrugated pipe is special, the supporting hose should meet the following characters :

- a. reach the bearing requirements no matter it is hard pipe or flexible pipes.
- b. The pipe opening has 1/2NPT or 3/4NPT threads.
- c. The thread length of pipe should be <25mm. It is suggested about 20mm.

pipe installation



1. Use M10 hexagon socket head cap screws to fix the adaptor at top interface of the light.
2. If the wire goes through the pipe, thread the cable into pipe cavity from side hole of the adaptor.
3. Tighten the auxiliary anti-off screws at side of the interface.
4. Perform spiral connection between the threaded pipes and adaptor.
5. Tighten the auxiliary anti-slide screws on the adaptor.



The power supply should be cut off during installation. If it is used in environment with vibration, the safety rope should be provided. In case of installation with lifting ring and hook, Can be extended by chain. Any installation mode should ensure that the carrier reaches effective bearing. The bearing capacity is four times or above of the total hung weight at least. The disconnection of power supply should be kept for 30 minutes at least for maintenance to prevent scalding by high heat.

Installation requirements

1. Disconnect power supply, and read product instructions carefully;
2. Ensure installation accessories and installation environment conform to bearing requirement;
3. Check whether the installation accessories are damaged or not, and install accessories to lamp reliably;
4. Different installation environment match corresponding installation accessories, do not use or change at will;
5. If the installation fittings has auxiliary parts such as skidproof screw, notice how it works, please do not ignore it;
6. If the light is installed in vibration environment, please add anti-falling safety rope to ensure reliability of installation;
7. Connect power supply wire reliably according to specified polarity; I-type lamp with grounding line shall be earthed reliably and the connection points must have insulation measures;
8. When the installation is completed, check whether all parts is reliable and can work properly.

Notice

1. Please first read the product specification carefully, make sure the using environment conform to specification, then it can be used;
2. Please confirm the input voltage and frequency before use;
3. This product must be installed by professionals;
4. If there is any damage to the power wire or shell of the product, it shall be taken as defective product and do not use it;
5. Dangerous high voltage, non-professionals are not allowed to maintain the product;
6. Matching sensor not allowed,
7. Clean every three months after use to avoid dust affecting heat dissipation,
8. If external soft cable or soft wire of the light is damaged, it shall be replaced by manufacturer or service agent or personnel with similar qualification to avoid danger;
9. Corrosivity in the using environment can't exceed the specified anti-corrosion grade, if you have special requirement, please first consult with our company.