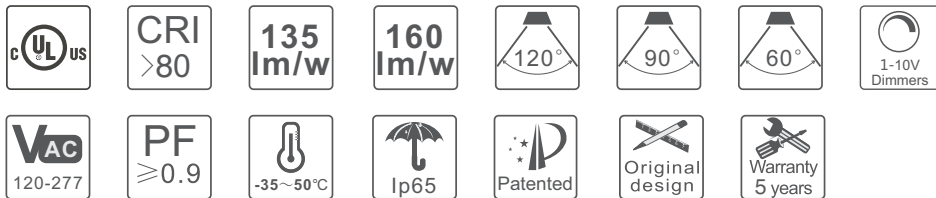




Cibay-E High Bay Light UL Type



Feature:

1. The wide opening design of the heat dissipation channel accelerates the air convection and improves the heat dissipation efficiency.
2. Ultra-thin appearance, light and beautiful, saving more than 30% of transportation costs.
3. High efficiency LED, 135lm/w and 160lm/w optional optional.
4. IK10 impact resistance grade.
5. Working temperature: -35 °C ~ + 50°C.
6. IP66 , slight corrosion-proof grade indoors
7. 5 years warranty.



Application

Suitable for large workshop, airport, warehouse, parking lot, basement, gymnasium etc.

*** Traditional product can't be used outdoors**

*** Suitable for damp environment, slight corrosion-proof grade indoors**



Description

CIBAY-E effectively improves the heat dissipation efficiency through the improvement of the radiator.

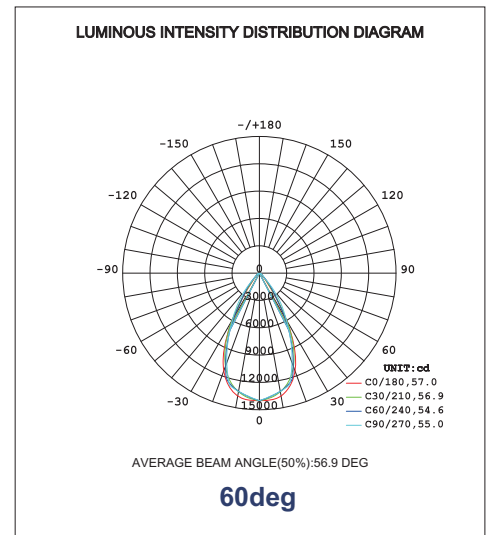
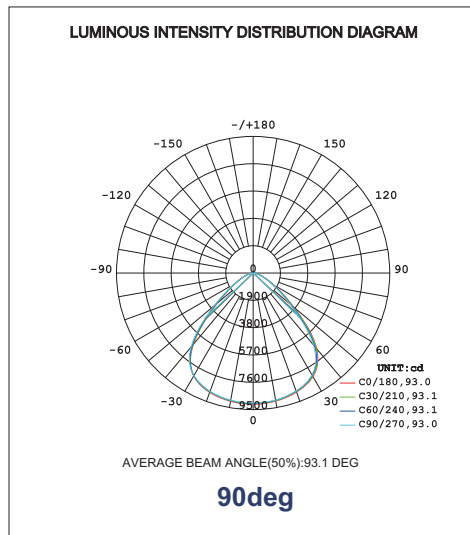
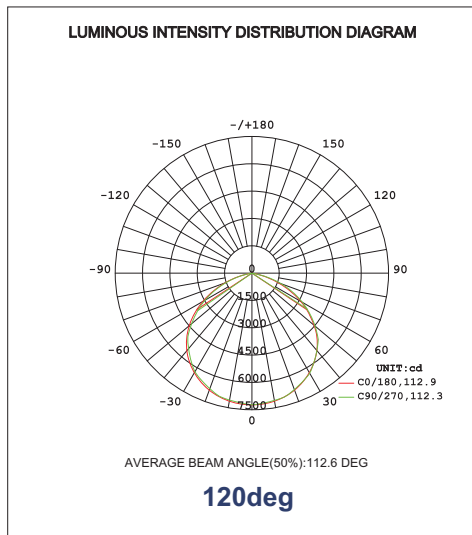
Under the premise of meeting the product heat dissipation performance, it reduces the excess waste of materials, reduces the weight of the product, and makes the product lighter, thinner, convenient and beautiful; combined with high quality The LED light source and the ring-shaped integrated lens make the secondary light distribution of the product more uniform and efficient; the product is upgraded again based on the original series from the comprehensive consideration of product appearance, performance and cost.

Technical parameters

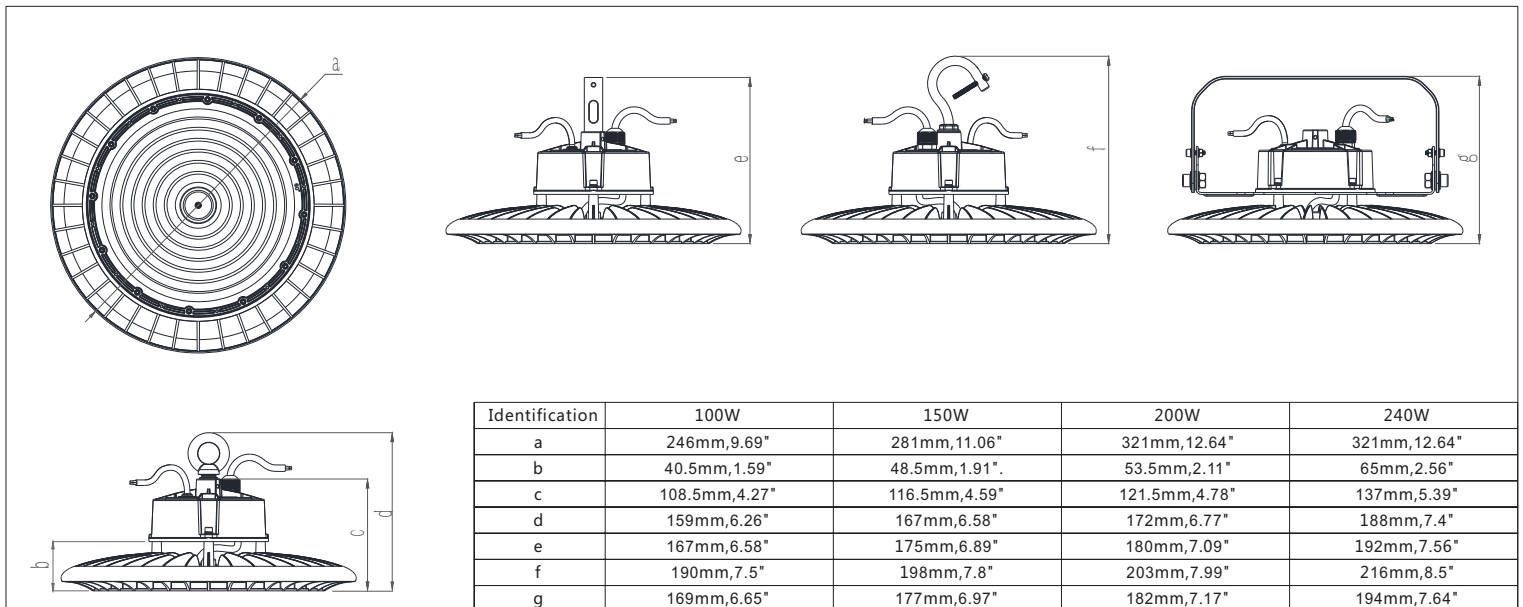
Model	CCT	Lumen(lm) ±10%	Beam (angle°) ±10%	LEDs type CRI	Power(w) ±10%	Voltage Frequency
CBE-100-AW-50K-D001	5000k	13750	120°	SMD Ra > 80	100W	AW:120-277VAC 50-60Hz,Max1.2A
CBE-100-AW-40K-D001	4000k	13650	90°			
CBE-100-AW-30K-D001	3000k	13200	60°			
CBE-150-AW-50K-D001	5000k	20630	120°	SMD Ra > 80	150W	AW:120-277VAC 50-60Hz,Max1.8A
CBE-150-AW-40K-D001	4000k	20470	90°			
CBE-150-AW-30K-D001	3000k	19800	60°			
CBE-200-AW-50K-D001	5000k	27500	120°	SMD Ra > 80	200W	AW:120-277VAC 50-60Hz,Max2.3A
CBE-200-AW-40K-D001	4000k	27300	90°			
CBE-200-AW-30K-D001	3000k	26400	60°			
CBE-240-AW-50K-D001	5000k	33000	120°	SMD Ra > 80	240W	AW:120-277VAC 50-60Hz,Max2.7A
CBE-240-AW-40K-D001	4000k	32760	90°			
CBE-240-AW-30K-D001	3000k	31680	60°			

If need a sensor function, need install the sensor to the product diameter edge.

Distribution Diagram



Dimension(Unit:mm/inch)

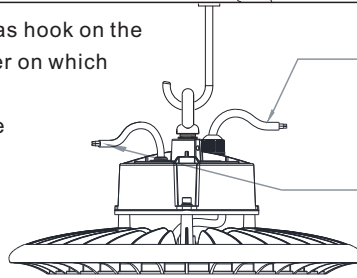


Product Installation

Suspendent ring installation

The lifting ring is applicable to pendant with opening such as hook on the ceiling, climbing button carabiner as well as pendant carrier on which an opening may be made.

1. Screw the lifting ring into the interface on light top before installation.
2. Tighten the auxiliary anti-falling screws at side of the interface.
3. Make the hook on the ceiling thread through the lifting ring and hang the light stably.
4. If the pendant has lock catch or anti-off device, they should be at effective state.



AC INPUT

- L (brown/black wire)
- GND (yellow & green/green wire)
- N (blue/white wire)

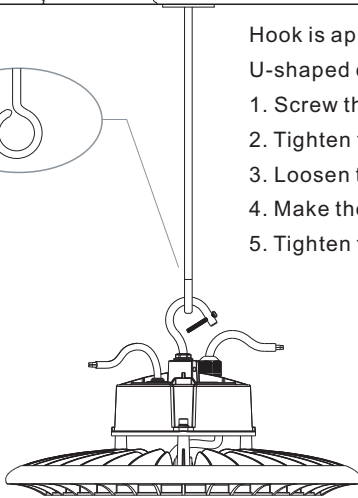
1-10V dimming

- Dim-(white /gray wire)
- V Aux (Black & white wire)
- Dim+(blue/purple wire)

hook installation

Hook is applicable to be installed on sealed ring structure or pipes such as sealing hook, U-shaped circle hook, steel pipes or other carriers.

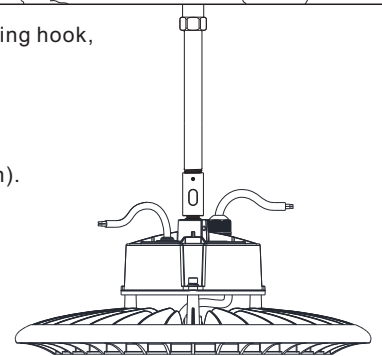
1. Screw the hook into the interface on light top before installation.
2. Tighten the auxiliary anti-off screws at side of the interface.
3. Loosen the sealing screws of the hook (the hook has an opening about 30mm).
4. Make the hook thread through the sealing ring and hang the light stably.
5. Tighten the sealing screws of the hook.



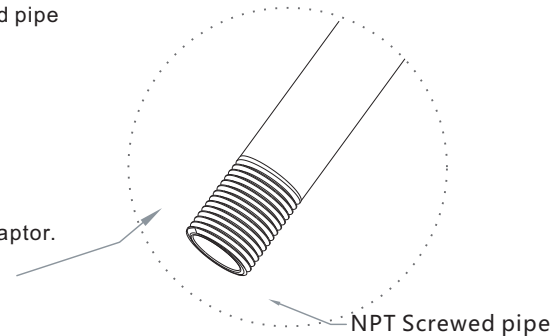
pipe installation

There are two types of adaptors for installation of corrugated pipe including 1/2NPT or 3/4NPT corrugated hose adaptors.

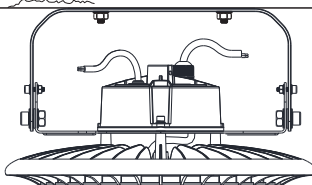
- As the installation mode of corrugated pipe is special, the supporting hose should meet the following characters :
- a. reach the bearing requirements no matter it is hard pipe or flexible pipes.
 - b. The pipe opening has 1/2NPT or 3/4NPT threads.
 - c. The thread length of pipe should be < 25mm. It is suggested about 20mm.



1. Use M10 hexagon socket head cap screws to fix the adaptor at top interface of the light.
2. If the wire goes through the pipe, thread the cable into pipe cavity from side hole of the adaptor.
3. Tighten the auxiliary anti-off screws at side of the interface.
4. Perform spiral connection between the threaded pipes and adaptor.
5. Tighten the auxiliary anti-slide screws on the adaptor.

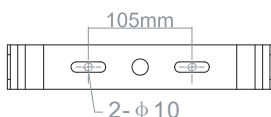


U Bracket Ceiling or Wall Installation

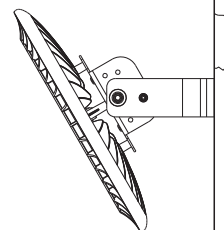


The U-shaped support is applicable to wall installation or ceiling installation. The installation position should comply with the bearing requirements. The following recommended size should be observed to open holes on the walls.

1. Insert the expansion screws into wall holes.
2. Make the head of expansion screws through installation hole of U-shaped support.
3. Tighten the expansion screws to make the support suck on the walls firmly.
4. Dismantle the auxiliary screws on two sides of the support and loose screws of the spindle slightly.
5. Rotate the support to suitable degree and replace auxiliary screws at two sides.



Recommended dimension of drilling hole



The power supply should be cut off during installation. If it is used in environment with vibration, the safety rope should be provided. In case of installation with lifting ring and hook, Can be extended by chain. Any installation mode should ensure that the carrier reaches effective bearing. The bearing capacity is four times or above of the total hung weight at least. The disconnection of power supply should be kept for 30 minutes at least for maintenance to prevent scalding by high heat.

Accessories series



Iron chain



Rod-mounted adapter



Hook up



U-shaped bracket



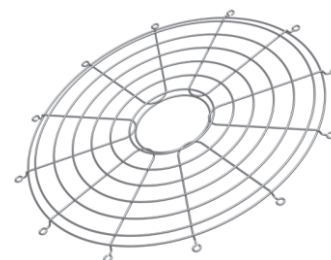
Aluminum cover



PC cover



Safety rope



Anti-collision net

Package information

Power	100W	150W	200W	240W
Net weight	1.9Kg	2.4Kg	2.8Kg	3.3Kg
Box dimension	320*300*320mm	350*310*350mm	375*310*370mm	375*310*370mm
Pack Quantity	2pcs	2pcs	2pcs	2pcs
Gross Weight	4.5Kg	5.5Kg	6.5Kg	7.6Kg

Installation requirements

1. Disconnect power supply, and read product instructions carefully;
2. Ensure installation accessories and installation environment conform to bearing requirement;
3. Check whether the installation accessories are damaged or not, and install accessories to lamp reliably;
4. Different installation environment match corresponding installation accessories, do not use or change at will;
5. If the installation fittings has auxiliary parts such as skidproof screw, notice how it works, please do not ignore it;
6. If the light is installed in vibration environment, please add anti-falling safety rope to ensure reliability of installation;
7. Connect power supply wire reliably according to specified polarity; I-type lamp with grounding line shall be earthed reliably and the connection points must have insulation measures;
8. When the installation is completed, check whether all parts is reliable and can work properly.

Notice

- 1. Please first read the product specification carefully, make sure the using environment conform to specification, then it can be used;**
- 2. Please confirm the input voltage and frequency before use;**
- 3. This product must be installed by professionals;**
- 4. If there is any damage to the power wire or shell of the product, it shall be taken as defective product and do not use it;**
- 5. Dangerous high voltage, non-professionals are not allowed to maintain the product;**
- 6. If external soft cable or soft wire of the light is damaged, it shall be replaced by manufacturer or service agent or personnel with similar qualification to avoid danger;**
- 7. Corrosivity in the using environment can't exceed the specified anti-corrosion grade, if you have special requirement, please first consult with our company.**