



SEC LED Motion Security Lights



CRI
≥80



Functional description

- LED energy-saving lamp is made of high brightness white light-emitting diode light source. It matches a motion sensor, detecting distance adjustable up to 40ft, and integrated dusk to dawn photocell. Build-in PIR sensor or no sensor is available.

1. L /D2D/ M/ON/H (low sensitivity adjustment / D2D / medium sensitivity / light always on / high sensitivity)

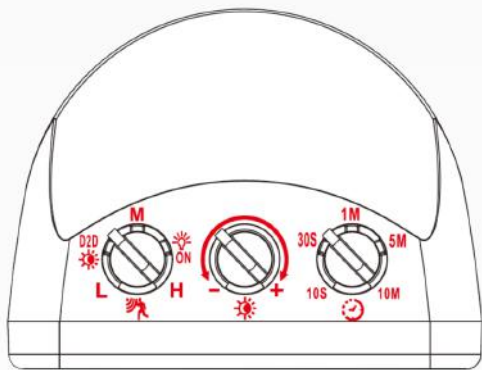
2. -/+ (Adjust the detection value of lights at night and day)

3. 10S /30S/ 1min/10min (adjust the time delay lighting time)

ON: the light is always on

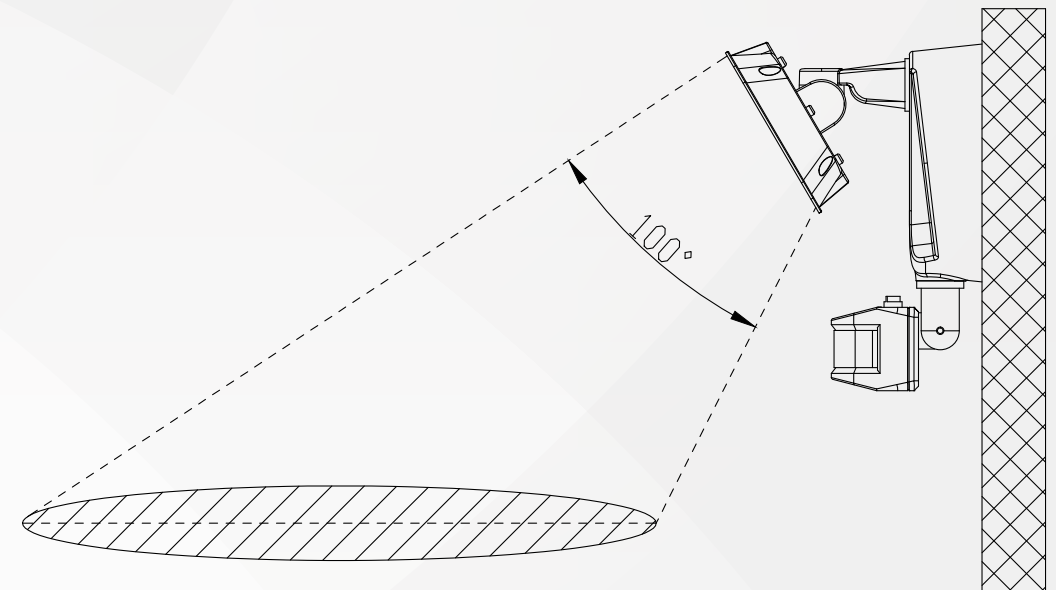
D2D: It can adapt to the "day to night" mode, when the ambient light is below 30lux, the light is always on, and the light is automatically turned off when the ambient light is above 100lux

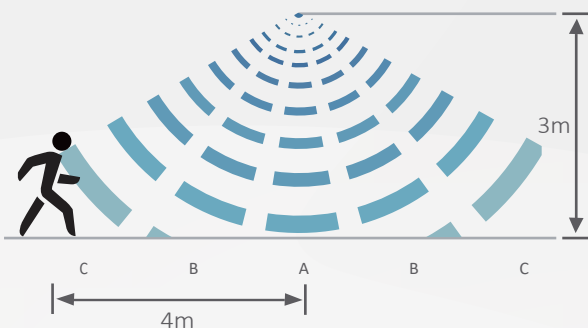
D2D and +: The switch is in these two positions at the same time, no induction, the light is always on



Description

- LED energy-saving lamp is made of high brightness white light-emitting diode light source. It matches a motion sensor, detecting distance adjustable up to 40ft, and integrated dusk to dawn photocell. Build-in PIR sensor or no sensor is available.





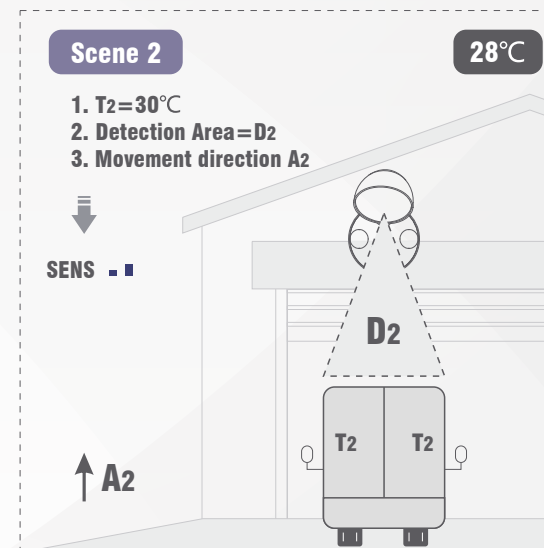
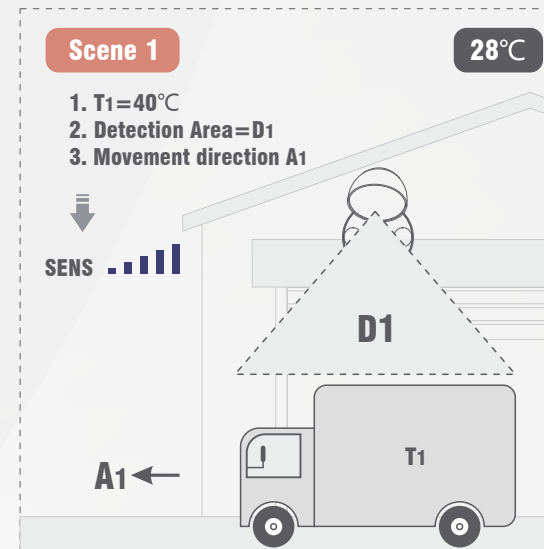
Working Voltage	Ac100-277V
PIR Frequency	XX
PIR Power	DC 3.3V
Detection Angle	120-130
Detection Range	Max.(D*H)4m*3m
Detection Speed	XX

◆ Factors related to sensitivity

The relation of the sensor to the ambient temperature: the greater the temperature differences between sensor and ambient temperature, the higher the sensitivity.

The relation of the sensor to the infrared radiation surface area of the detected object: the greater the infrared radiation surface area, the higher the sensitivity.

The relation of the sensor to the movement direction of the detected object: if the detected object moves tangentially when passing the sensor, it gets to the maximum sensitivity. But it gets to the lowest sensitivity when the detected object moves directly towards sensor.



Function

1 Pivoting arm allows directional lighting.



High quality SMD2835 LEDs with uniform illumination

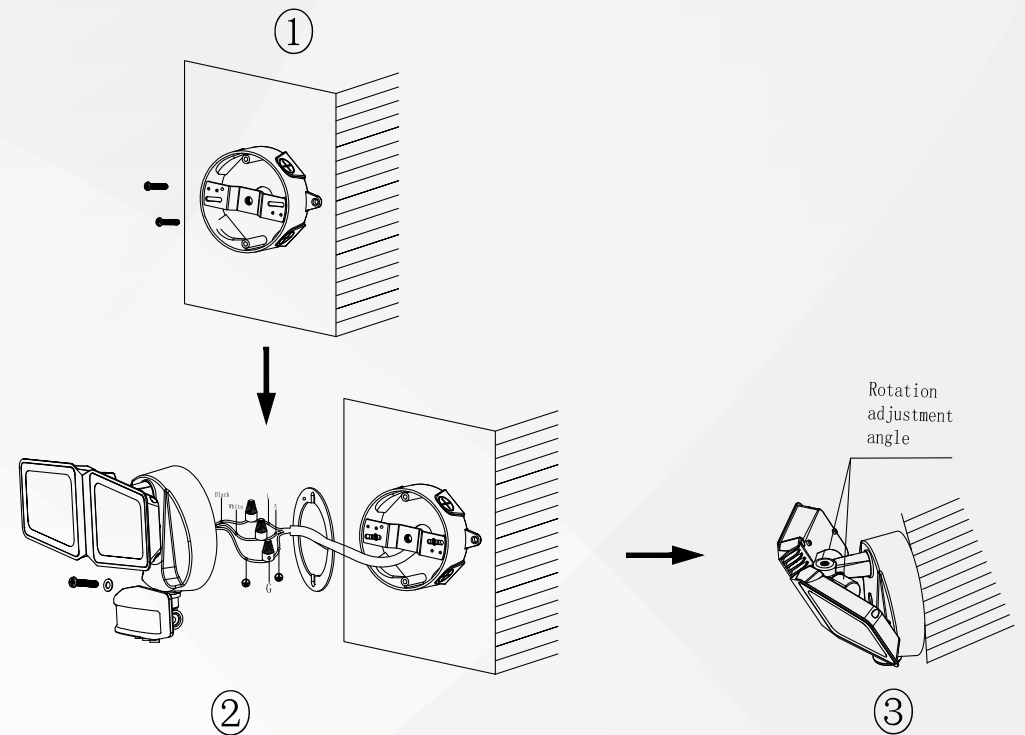
Non-isolated drive, PF>0.9, energy-efficient

Technical parameters

Model	Power	Lumen	LED Type/Qty	CCT	Lighting effect	CRI	Beam angle	Detection distance	Input voltage
SEC101S-36W-30K-R80-0001	36W	4200lm	SMD2835 64	3000K	100°	≥80	180°	Max. 8-10m	100-277V 50/60Hz
SEC101S-36W-40K-R80-0001		4300lm		4000K					
SEC101S-36W-50K-R80-0001		4400lm	5000K						
SEC101S-36W-30K-R80-0002		4100lm	3000K						
SEC101S-36W-40K-R80-0002		4200lm	4000K						
SEC101S-36W-50K-R80-0002		4300lm	5000K						

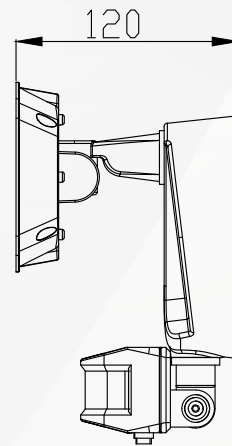
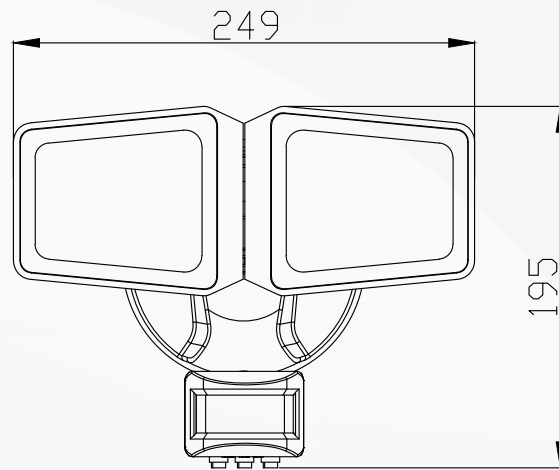
◆ 01 for white, 02 for black

Installation diagram

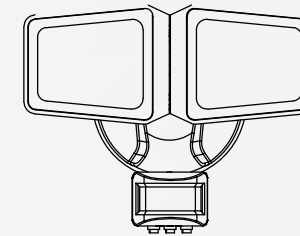


Dimensions (unit: mm)

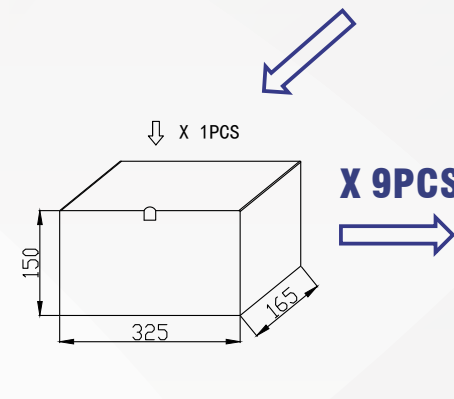
SEC101S-36W-30K/40K/50K-R80-0001/0002



Packaging information 1



X 1PCS

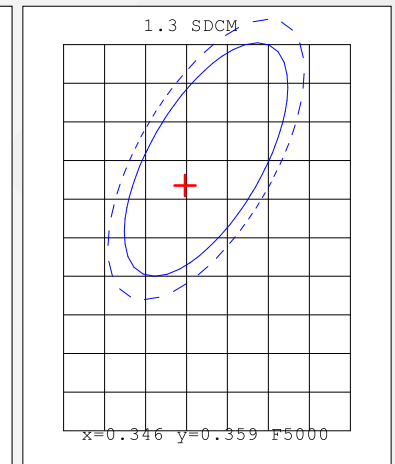
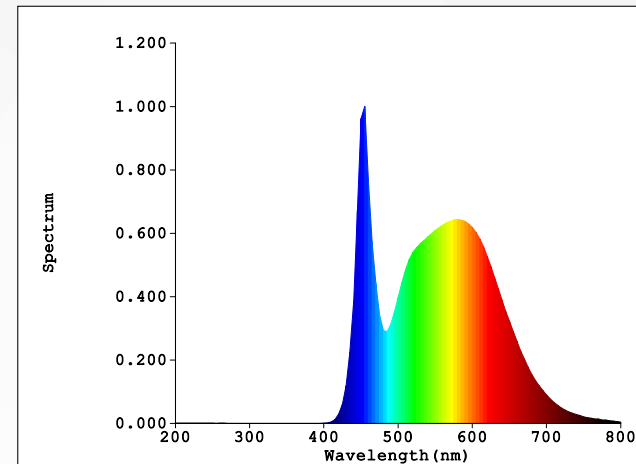
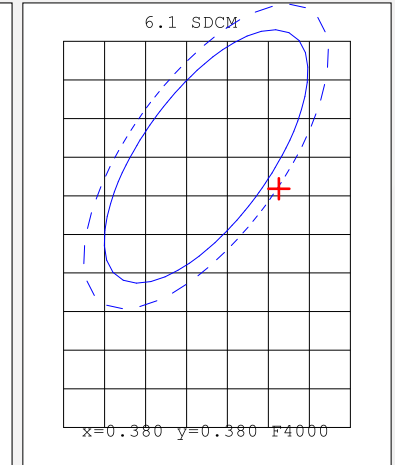
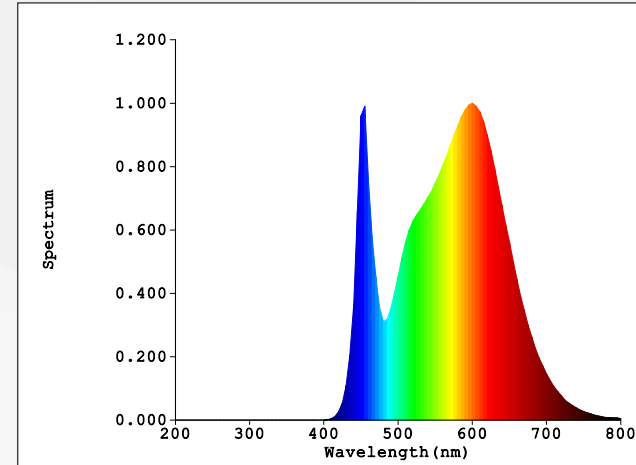
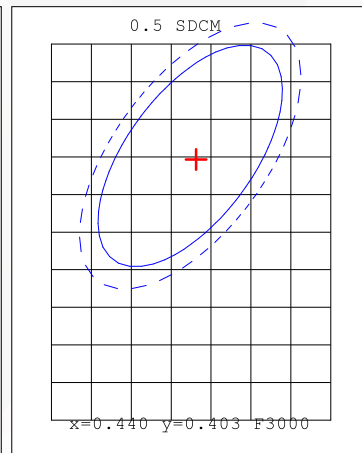
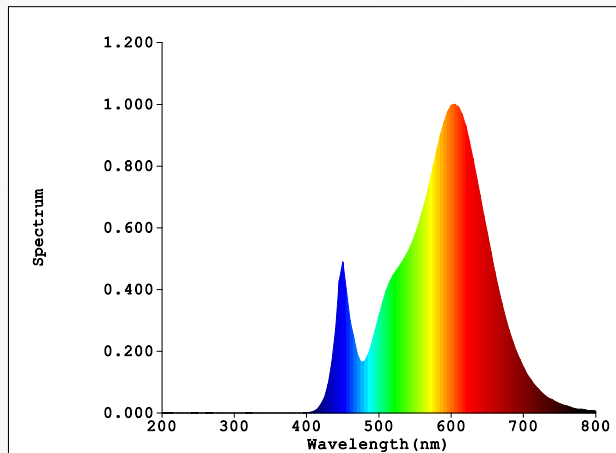


Packaging information (Details)

Product type	SEC101S-36W-30K/40K/50K-R80-0001/0002
Color box size	325 x 165 x 150mm
Carton size	515 x 340 x 470mm
Net weight	0.9Kg
weight of single package	1.1Kg
weight of whole case	11.2Kg
Container quantity	20-inch container 3062 PCS
	40-inch container 6342 PCS
	40-inch high container 7436 PCS

Test report

◆ Mode: CCT security light in black



Application

Widely used in the retail market, small supermarket, storeroom, library, courtyard and so on, for corridor sidewall.



Notice



◆ Warning: Attention electric shock

Before the lamp is connected with the power supply, please cut off the fuse or air breaker; ensure that the input voltage is within the correct and reasonable scope and connect the lamp with the power supply of 100-277V 50/60HZ; ensure that the connection of wire and grounding wire conforms to national electric standard and local applicable specification requirement. All connection of wire must use connection terminals in line with UL certification.

◆ Warning: Attention to cauma

Take the lamp from the box. Wear the gloves and protective glasses for debugging and repair during installation. When the lamp is on, don't stare at the light source with eyes directly. As LED is very bright, you should not stare at LED at any circumstance. Otherwise, irreparable injury may be produced to your eyes. Please let the lamp cool before touching it. Don't touch the lampshade or light source. The input power should not exceed the maximum power indicated on the lamp label.

◆ Warning: Attention to fire

The inflammable and combustibile should be away from the light source and light lens.