



## SC-BS-2835IG LED strip



### Available colors



WW NW W



### Features:

1. 2835 assembled LEDs;
2. CRI 80;
3. Can be cut to meet requirements of different lengths;
4. CE, RoHS, 2835IG single color strip;
5. Customized packing.

### Application:

1. Stage lighting
2. Festival, activities, exhibition lighting, etc
3. Backlight of signage
4. Contour lighting
5. LED luminous characters
6. Landscape decoration lighting



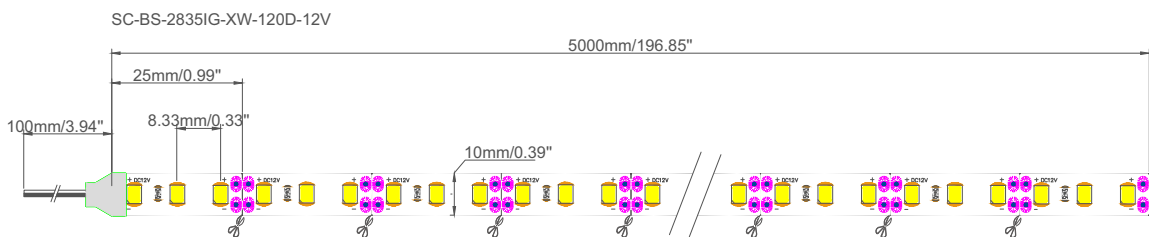
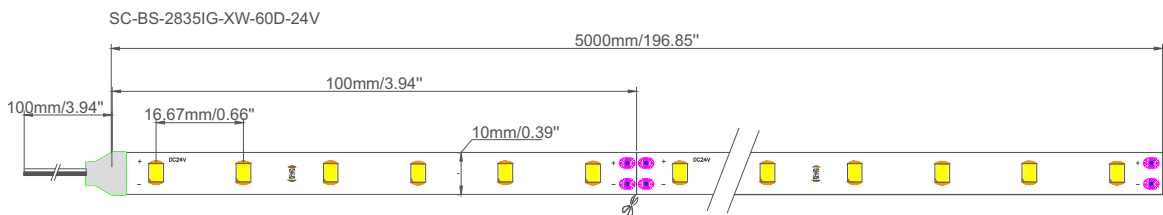
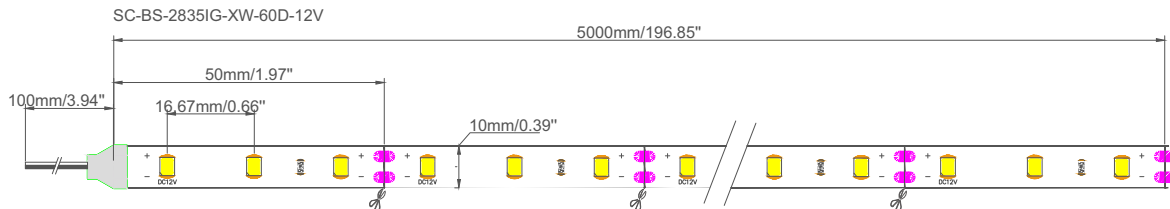


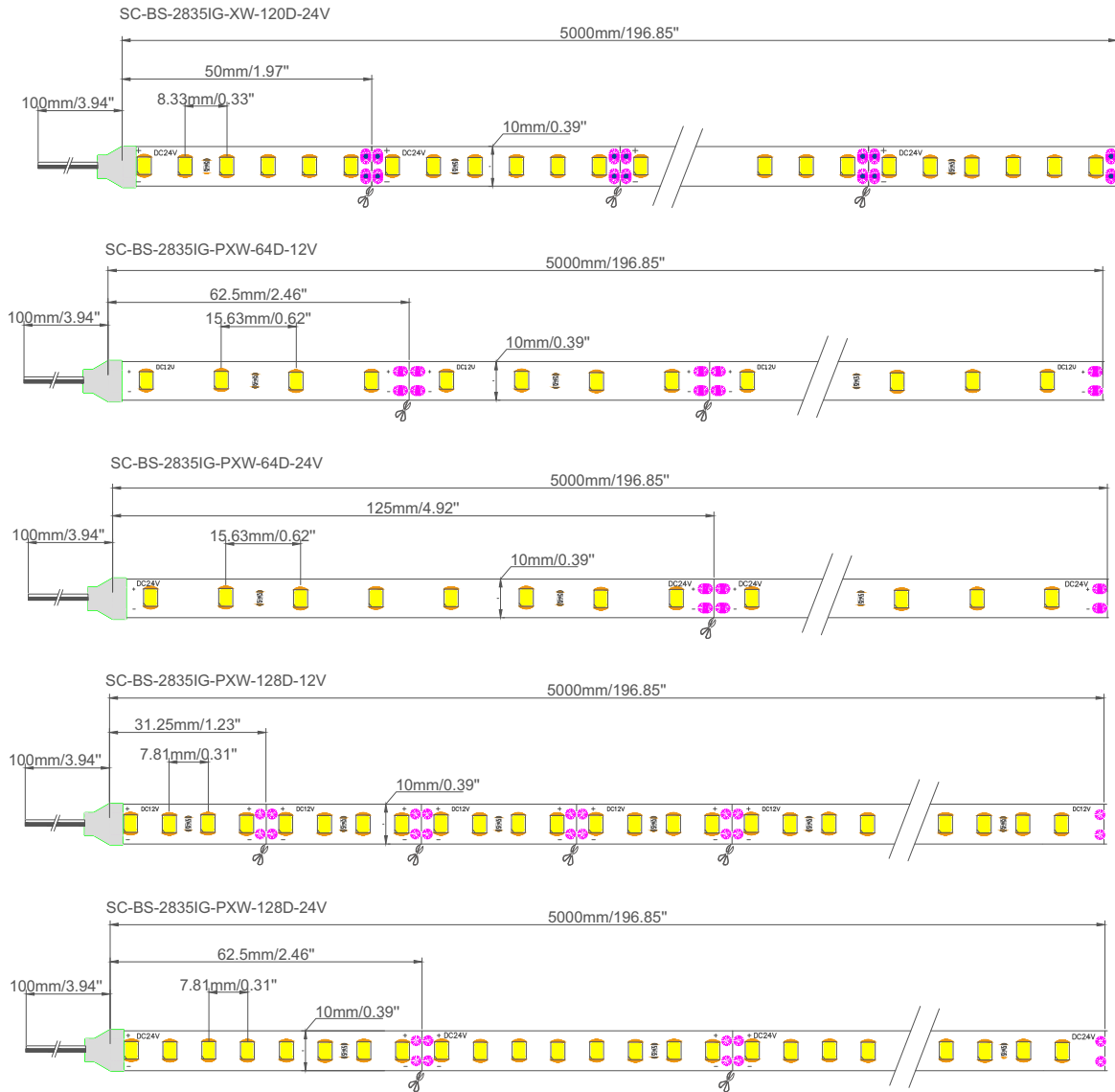
### Technical parameters:

Model	Colour	Lumen (lm/m)	LED Type	LED Qty. (leds/m)	Width* Length(mm)	Beam angle (°)	DC Voltage (V)	Power (w/m)	CRI	IP
SC-BS-2835IG-XW-60D-XX	WW	1250	2835	60	10*5000	120	12/24	14.4	80	20
	NW	1270								
	W	1270								
SC-BS-2835IG-XW-120D-XX	WW	1470	2835	120	10*5000	120	12/24	14.4	80	20
	NW	1490								
	W	1490								
SC-BS-2835IG-PXW-64D-XX	WW	1810	2835	64	10*5000	120	12/24	11.5	80	20
	NW	1850								
	W	1850								
SC-BS-2835IG-PXW-128D-XX	WW	3600	2835	128	10*5000	120	12/24	23	80	20
	NW	3610								
	W	3650								

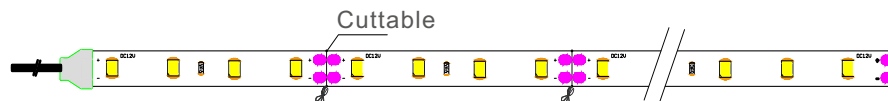
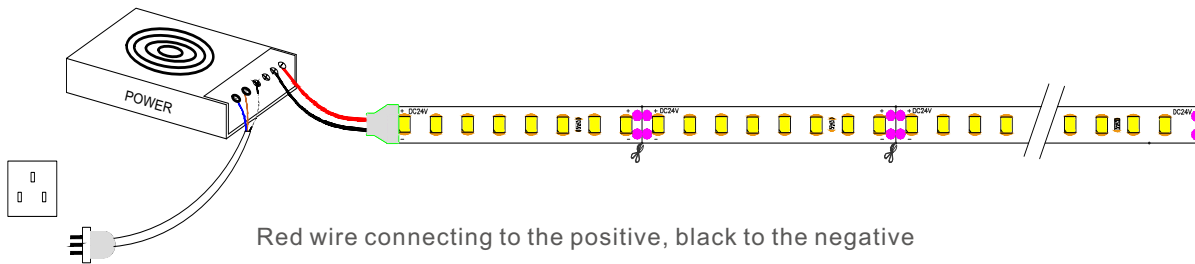
### Dimension & Circuit Drawings:

Unit: mm/inch



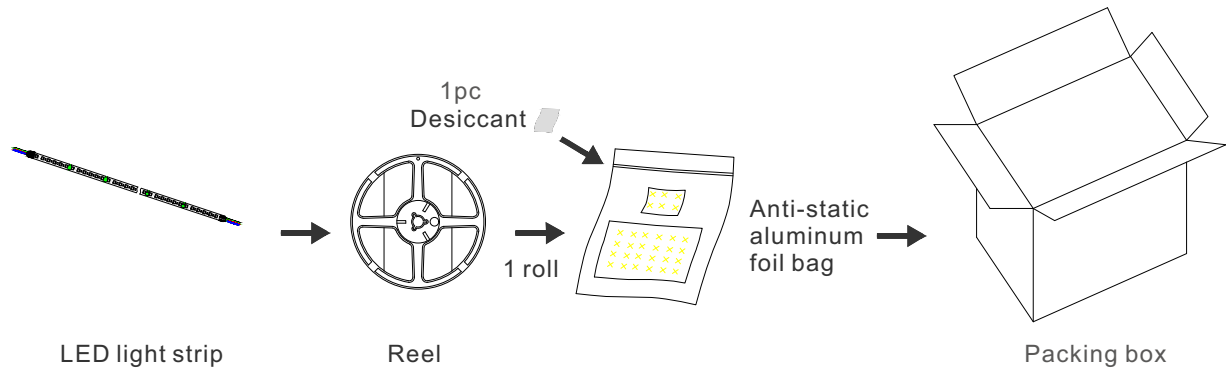


### Connecting & Installation Diagram:





## Packing instruction:



## Installation requirement:

1. The light strip and other accessories can not be pressed;
2. Do not damage the conducting wire of the circuit board during installation;
3. The installation of the light strip should be in accordance with the electrical safety standards. Only professional personnel can install it;
4. Ensure that the power supply is loaded by transformer conversion;
5. When installed in contact with metal or conductor, insulation protection should be made at the contact place;
6. Observe the polarity before installing, connect properly to prevent damage to the light strip;
7. Please prevent static discharges when installing;
8. Provide anti-corrosion environment for products, avoiding adverse factors such as wet water drops;
9. Working temperature is  $-20^{\circ}\text{C}\sim 40^{\circ}\text{C}$ .