



LED Area lights Series

AL-100/150/200/240/300-AW/HV-XXK-ZYY



Description:

Area lights can be used in parking lot, plaza, alley, park, farm, gas station, community, roadway and other outdoor location. Die-casting structure, shockproof, strong corrosion-resistance, 5 installation methods suitable for all kinds of outdoor places. 3 beam angles optional, suitable for light distributions in all kinds of places. Photocell and Microwave sensor smart control modes are optional.

Features:

1. High luminous efficiency, 130 LPW lighting effect;
2. Die-casting design, more durable, stronger ;
3. Motion sensor with remote, convenient to set fixtures;
4. PC lens, anti-UV, good aging resistance;
5. A variety of light distribution optional: Type III/Type IV/Type V;
6. One person can install fixture thanks for the unique straight arm;
7. Operating environment temperature: -40~+45°C ;
8. Corrosion resistance grade: W.
9. Colour : Bronze.



Specifications:

Model	Color	Lumen(lm) (±10%)	Beam (angle°)	LED Type	Power(w) (±10%)	Voltage, Frequency	Current	CRI	PF
AL-100-AW/HV-57K-D/S30	5700K	13000	Type III	SMD 2835	100	AC120-277V AC347-480V 50/60Hz	1.2A 0.6A	> 80	≥0.9
AL-100-AW/HV-50K-D/S30	5000K	13000							
AL-100-AW/HV-40K-D/S30	4000K	13000							
AL-100-AW/HV-35K-D/S30	3500K	12300							
AL-100-AW/HV-30K-D/S30	3000K	12000							
AL-150-AW/HV-57K-D/S30	5700K	20040	Type III	SMD 2835	150	AC120-277V AC347-480V 50/60Hz	1.8A 0.85A	> 80	≥0.9
AL-150-AW/HV-50K-D/S30	5000K	20040							
AL-150-AW/HV-40K-D/S30	4000K	20500							
AL-150-AW/HV-35K-D/S30	3500K	19500							
AL-150-AW/HV-30K-D/S30	3000K	18900							
AL-200-AW/HV-57K-D/S30	5700K	25300	Type III	SMD 2835	200	AC120-277V AC347-480V 50/60Hz	2.2A 1.2A	> 80	≥0.9
AL-200-AW/HV-50K-D/S30	5000K	25300							
AL-200-AW/HV-40K-D/S30	4000K	26300							
AL-200-AW/HV-35K-D/S30	3500K	24400							
AL-200-AW/HV-30K-D/S30	3000K	23800							
AL-240-AW/HV-57K-D/S30	5700K	31700	Type III	SMD 2835	240	AC120-277V AC347-480V 50/60Hz	2.7A 1.4A	> 80	≥0.9
AL-240-AW/HV-50K-D/S30	5000K	31700							
AL-240-AW/HV-40K-D/S30	4000K	33000							
AL-240-AW/HV-35K-D/S30	3500K	31000							
AL-240-AW/HV-30K-D/S30	3000K	30240							
AL-300-AW/HV-57K-D/S30	5700K	37800	Type III	SMD 2835	300	AC120-277V AC347-480V 50/60Hz	3.5A 1.8A	> 80	≥0.9
AL-300-AW/HV-50K-D/S30	5000K	37800							
AL-300-AW/HV-40K-D/S30	4000K	39400							
AL-300-AW/HV-35K-D/S30	3500K	36800							
AL-300-AW/HV-30K-D/S30	3000K	36000							

0-10V dimmable: 10%-100% brightness dimmable

D:Dimmable / S:Sensor type / Blank:No dimmable or sensor control

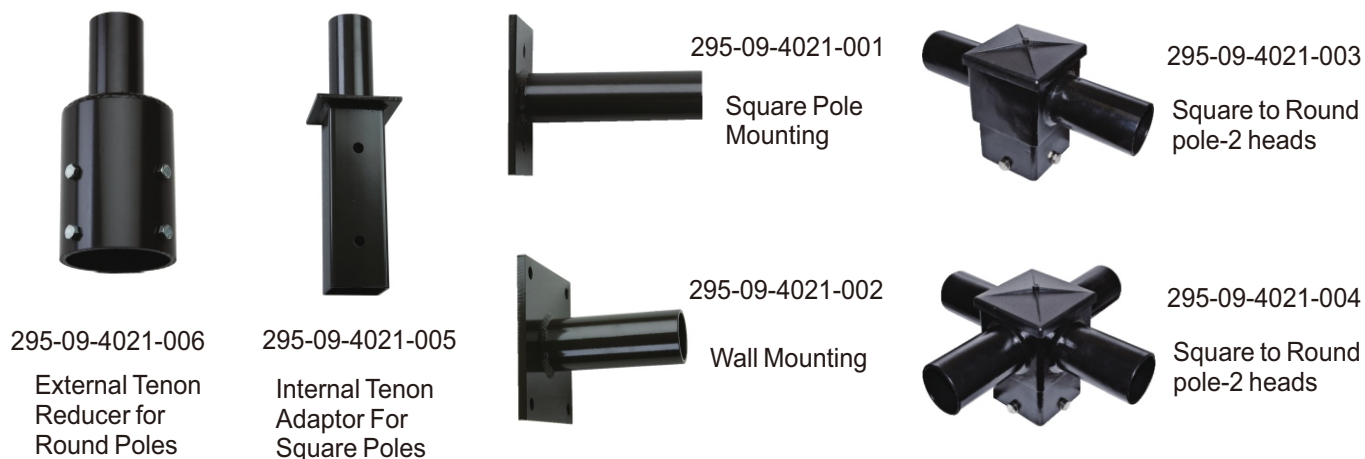
- Not all product variations listed on this page are DLC qualified. To ensure that a specific model is qualified, visit www.designlights.org/search.



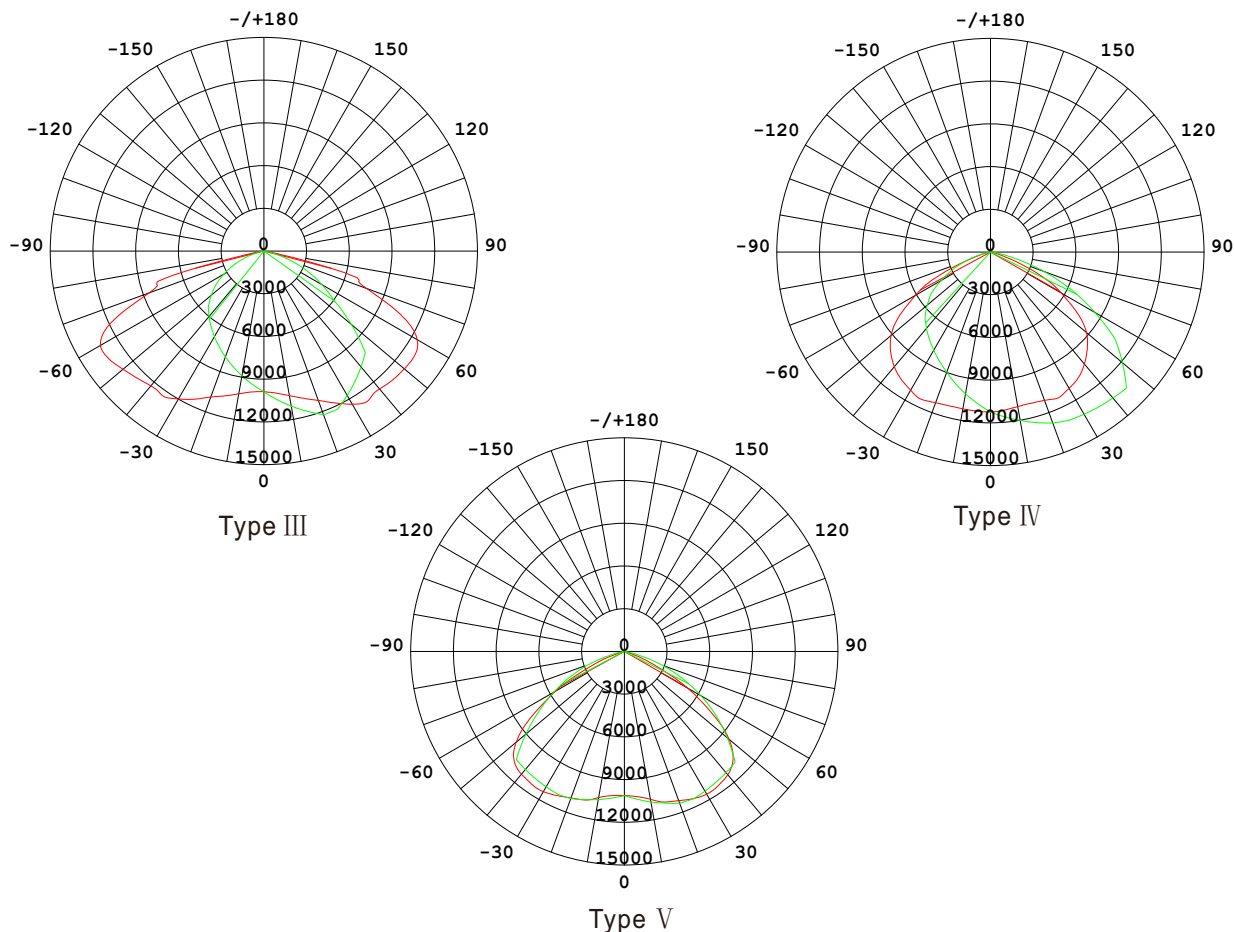
Parts specification:

Name	Part coding	Outer carton dimension	Main material	Application scope
Slip Fitter	695-04-1202-037	As the case may be	ADC12 Aluminum alloy	Area lights Series
Straight arm bracket :C (Square pole)	695-04-1202-038	As the case may be	ADC12 Aluminum alloy	Area lights Series
Straight arm bracket :D (Square pole)	695-04-1202-039	As the case may be	ADC12 Aluminum alloy	Area lights Series
Straight arm bracket :D (Round pole)	695-04-1202-040	As the case may be	ADC12 Aluminum alloy	Area lights Series
Trunnion bracket	695-04-1202-041	As the case may be	Q235 Steel	Area lights Series
Yoke bracket/100W-200W	695-03-0001-041	As the case may be	5010 Aluminum alloy	Area lights Series
Yoke bracket/300W	695-03-0001-042	As the case may be	5010 Aluminum alloy	Area lights Series

Accessories series :



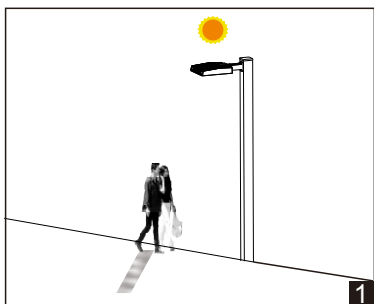
Intensity distribution diagram:



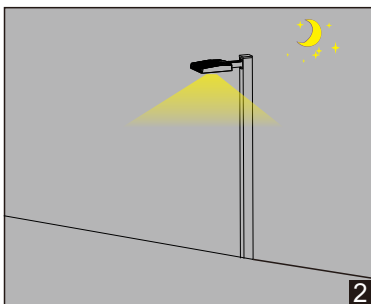


Features of Shoebox LED Light with Motion Sensor

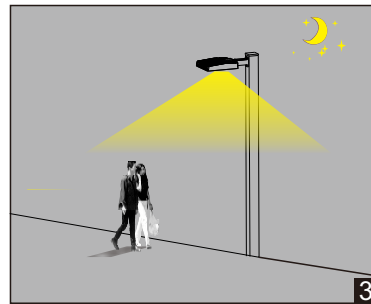
The ShoeBox LED light with Motion Sensor adopt the latest 5.8 GHz microwave sensor, according to Doppler principle, it transmit and receive high-frequency microwave signal to detect moving object, and the detecting signal can penetrate plastic, glass, wood panel and other thin non-metallic objects. Photocell of Internally integrated can distinguish sun light and LED light, when detect ambient brightness, it won't be affected by LED light. The product combine 1-10V dimming power supply, it can automatically control switch and adjust brightness according to brightness of natural light, surrounding pedestrian or other moving objects.



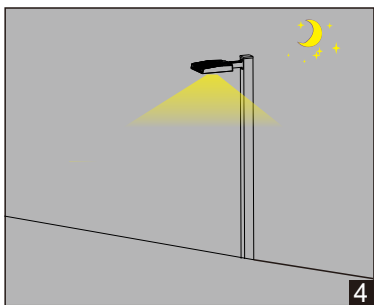
When brightness of natural light is higher than 50Lux, the lamp is off, even there is pedestrian or other moving objects, the lamp will not switch on.



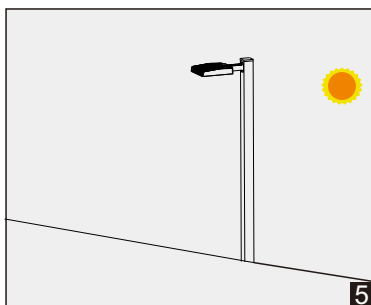
When brightness of natural light is lower than 50Lux, 1 minute later, the lamp will be on 30%, and the moving sensor function start.



After moving sensor function start, if there is moving object around, the brightness of lamp be will be from 30% to 100%, and than keep 5 minutes.



If there is no moving objects, 5 minutes later, the lamp recover 30% brightness.



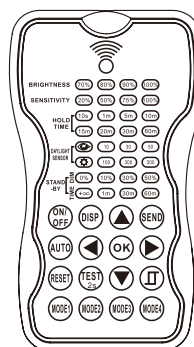
When brightness of natural light is higher than 100Lux, 1minutes later the lamp will be off and disable motion sensor function.

Brief introduction of remote controller

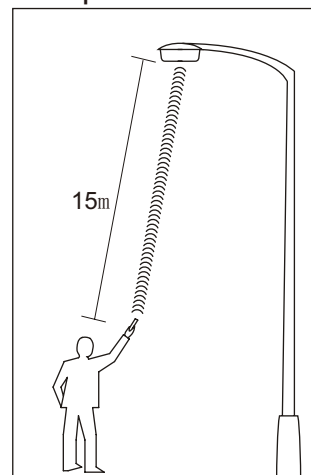
Above functions are defaults of our products, if product functions and parameters need to be revised, the remote controller RC-100 need to be purchased, and the remote controller need to be bought separately.

SPECIFICATIONS

Power supply	2 x AAA 1.5V battery, Alkaline preferred
Carrying case	RC-100 in carrying case
Communication	940 nm Infrared Tx & Rx
Upload range	Up to 15 m (50 ft.)
Op. temperature	0°C~50°C (32°F~122°F)
Dimensions	123x70x20.3 mm (4.84" x 2.76" x 0.8")



RC-100

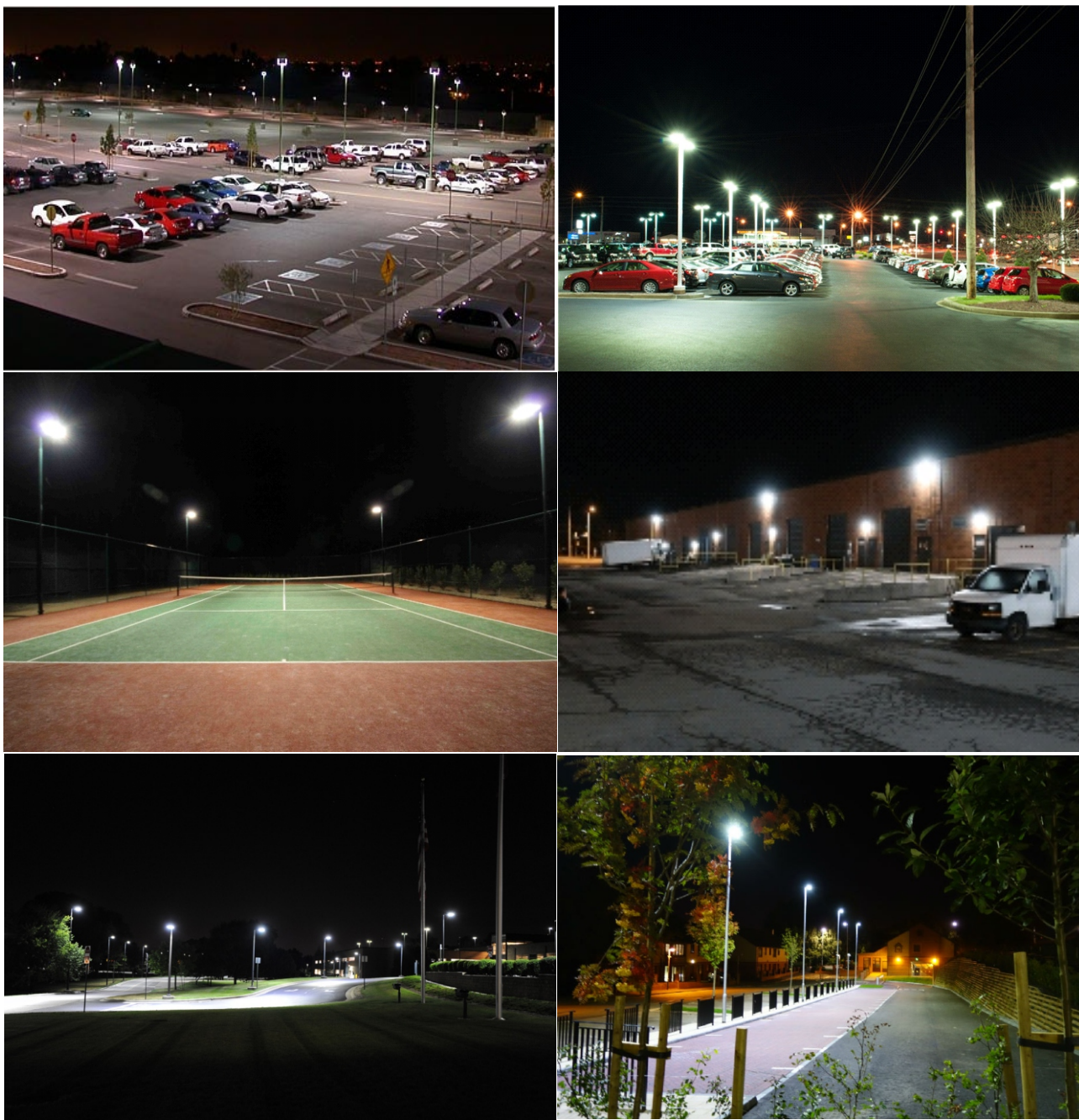


Photocell function

Light sensing series: when environment illumination is lower than 6Lux, the lamp will switch on in 20 seconds; when environment illumination is higher than 50Lux, the lamp will switch off in 20 seconds.

Application :

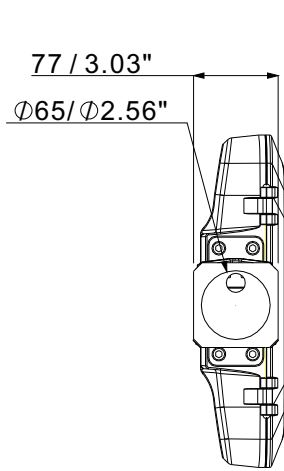
Suitable for parking lot, plaza, roadway, park, farm, gas station, Tennis courts, large commercial and retail venues, community and other outdoor places.



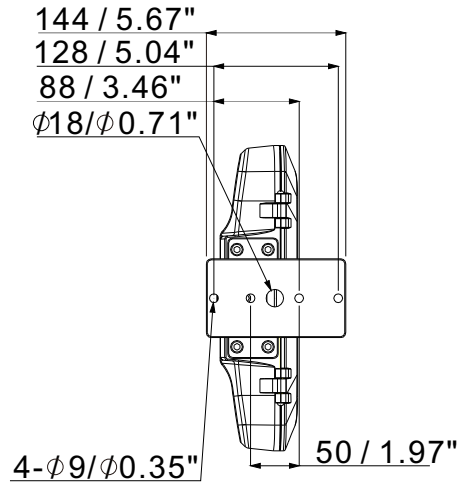


Dimension (Unit:mm/inch):

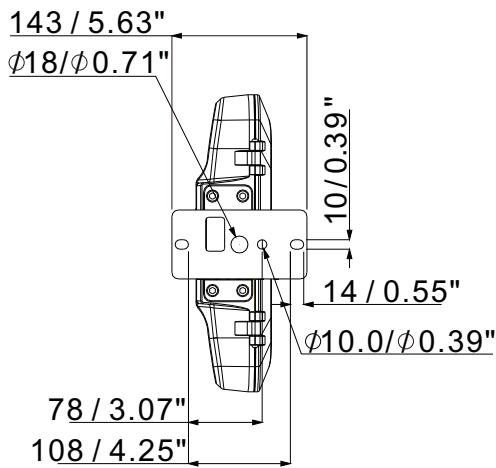
Installation hole dimension:



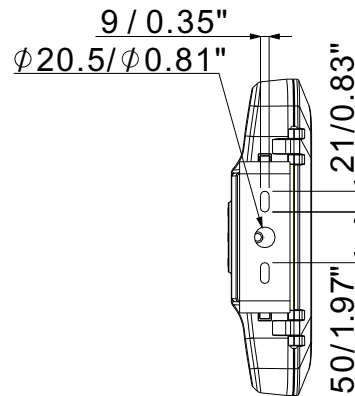
Slip Fitter



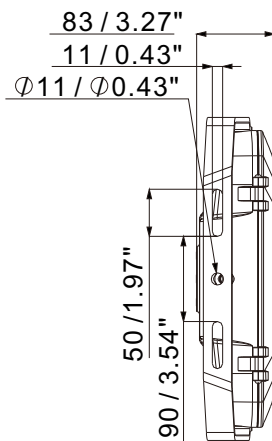
Straight arm bracket:C



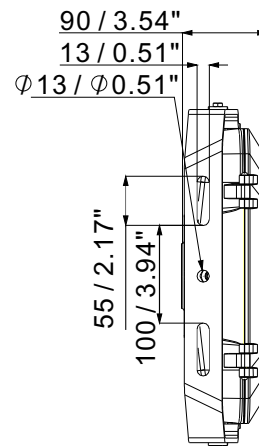
Straight arm bracket:D



Trunnion bracket



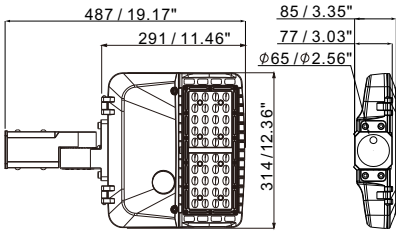
Yoke Mount
100W/150W/200W



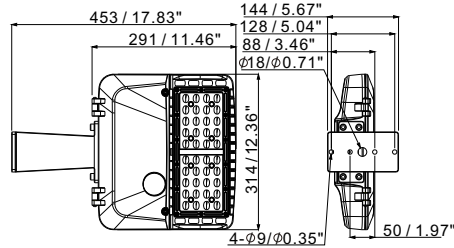
Yoke Mount
240W/300W



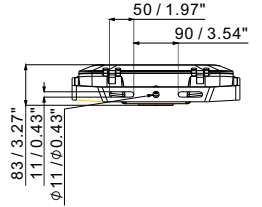
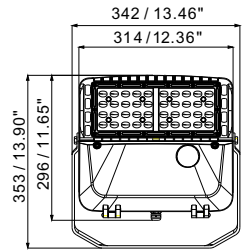
100W



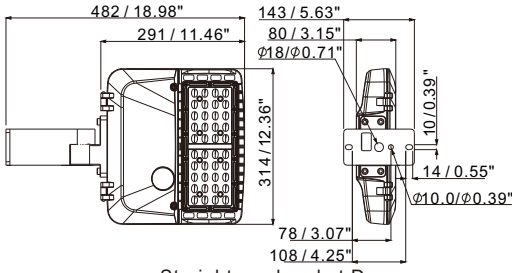
Slip Fitter



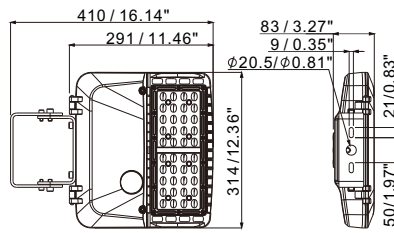
Straight arm bracket:C



Yoke Mount

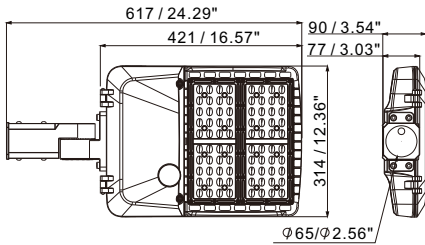


Straight arm bracket:D

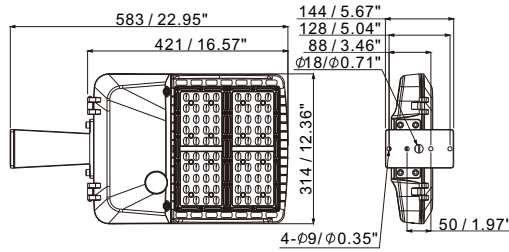


Trunnion bracket

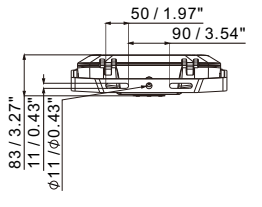
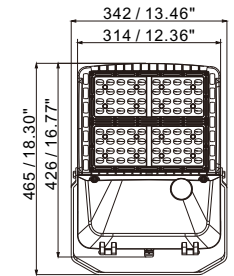
150W/200W



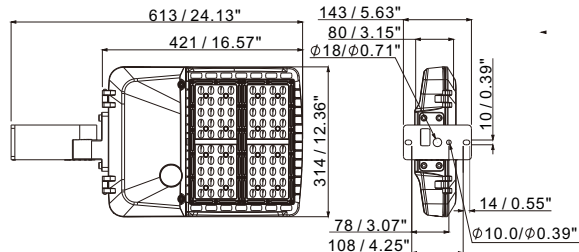
Slip Fitter



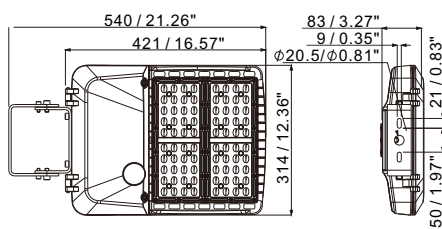
Straight arm bracket:C



Yoke Mount

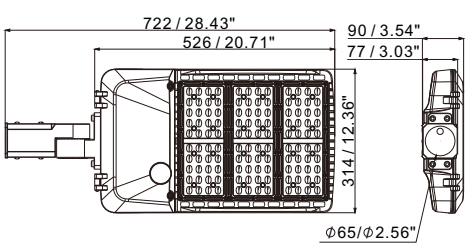


Straight arm bracket:D

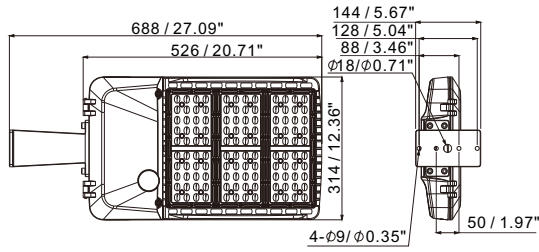


Trunnion bracket

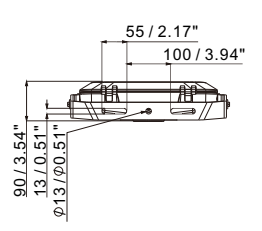
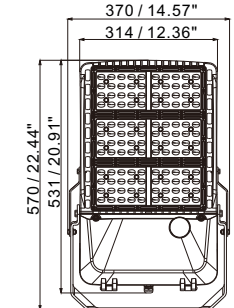
240W/300W



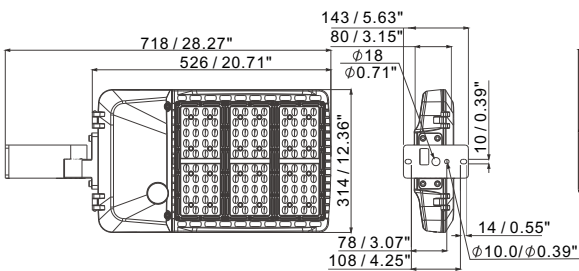
Slip Fitter



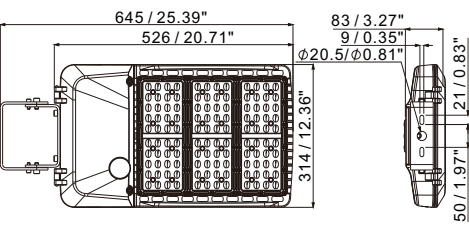
Straight arm bracket:C



Yoke Mount



Straight arm bracket:D



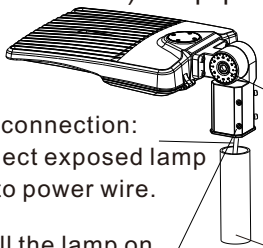
Trunnion bracket



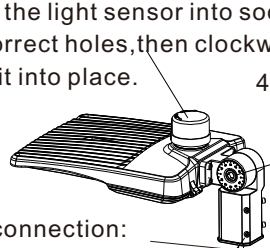
Installation :

Slip Fitter:

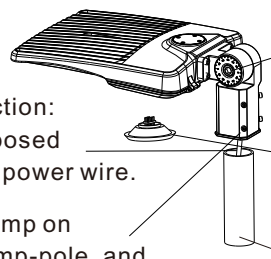
60mm(2.36 inch) lamp-pole

- 
1. Wire connection: Connect exposed lamp wire to power wire.
 2. Install the lamp on the 60mm lamp-pole, and tighten the 4pcs M8 screws.
 3. Adjust the lamp angle, and installation finish.

Photocell Series

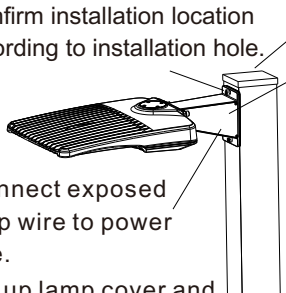
- 
1. Insert the light sensor into socket with correct holes, then clockwise rotate it into place.
 2. Wire connection: Connect exposed lamp wire to power wire.
 3. Install the lamp on the 60mm lamp-pole, and tighten the 4pcs M8 screws.
 4. Adjust the lamp angle, and installation finish.

Motion Sensor series

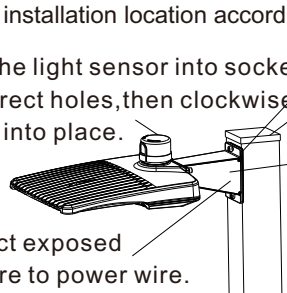
- 
1. Wire connection: Connect exposed lamp wire to power wire.
 2. Install the lamp on the 60mm lamp-pole, and tighten the 4pcs M8 screws.
 3. Insert the Motion sensor into socket with correct holes, then clockwise rotate it into place.
 4. Adjust the lamp angle, and installation finish.

Straight arm bracket C:

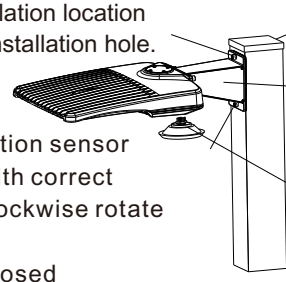
100-150mm(3.94-5.91 inch) square pole

- 
1. Confirm installation location according to installation hole.
 2. Open pole Cap.
 3. Open lamp cover.
 4. Put all of the wire through lamp-hole, and align installation hole of lamp to installation hole of lamp-hole, then fasten screws of lamp.
 5. Connect exposed lamp wire to power wire.
 6. Fix up lamp cover and pole Cap, finally installation finish.

Photocell Series

- 
1. Confirm installation location according to installation hole.
 2. Insert the light sensor into socket with correct holes, then clockwise rotate it into place.
 3. Open pole Cap.
 4. Open lamp cover.
 5. Put all of the wire through lamp-hole, and align installation hole of lamp to installation hole of lamp-hole, then fasten screws of lamp.
 6. Connect exposed lamp wire to power wire.
 7. Fix up lamp cover and pole Cap, finally installation finish.

Motion Sensor series

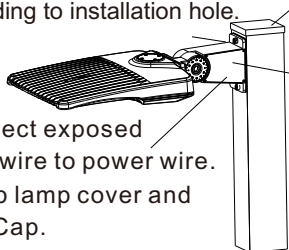
- 
1. Confirm installation location according to installation hole.
 2. Open pole Cap.
 3. Open lamp cover.
 4. Put all of the wire through lamp-hole, and align installation hole of lamp to installation hole of lamp-hole, then fasten screws of lamp.
 5. Insert the Motion sensor into socket with correct holes, then clockwise rotate it into place.
 6. Connect exposed lamp wire to power wire.
 7. Fix up lamp cover and pole Cap, finally installation finish.



Straight arm bracket D:

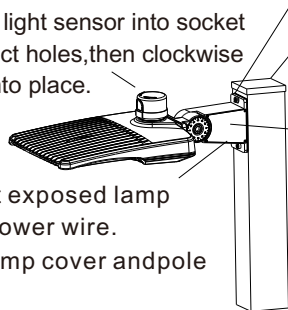
100-150mm(3.94-5.91 inch) square pole

1. Confirm installation location according to installation hole.
2. Open pole Cap.
3. Open lamp cover.
4. Put all of the wire through lamp-hole, and align installation hole of lamp to installation hole of lamp-hole, then fasten screws of lamp.
5. Connect exposed lamp wire to power wire.
6. Fix up lamp cover and pole Cap.
7. Adjust the lamp angle, and installation finish.



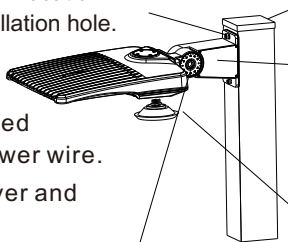
Photocell Series

1. Confirm installation location according to installation hole.
2. Insert the light sensor into socket with correct holes, then clockwise rotate it into place.
3. Open pole Cap.
4. Open lamp cover.
5. Put all of the wire through lamp-hole, and align installation hole of lamp to installation hole of lamp-hole, then fasten screws of lamp.
6. Connect exposed lamp wire to power wire.
7. Fix up lamp cover and pole Cap.
8. Adjust the lamp angle, and installation finish.



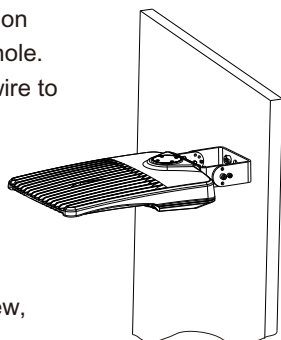
Motion Sensor series

1. Confirm installation location according to installation hole.
2. Open pole Cap.
3. Open lamp cover.
4. Put all of the wire through lamp-hole, and align installation hole of lamp to installation hole of lamp-hole, then fasten screws of lamp.
5. Insert the Motion sensor into socket with correct holes, then clockwise rotate it into place.
6. Connect exposed lamp wire to power wire.
7. Fix up lamp cover and pole Cap.
8. Adjust the lamp angle, and installation finish.



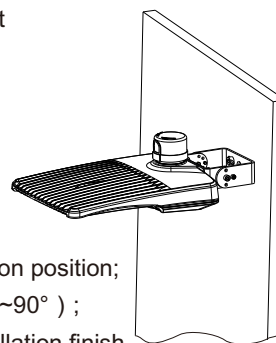
Trunnion bracket:

1. Confirm installation location according to installation hole.
2. Connect exposed lamp wire to power wire;
3. Fix lamp: fix the lamp in installation position;
4. Adjust lighting angle of lamp(-90°~90°) ;
5. Fix and adjust angle screw, installation finish.



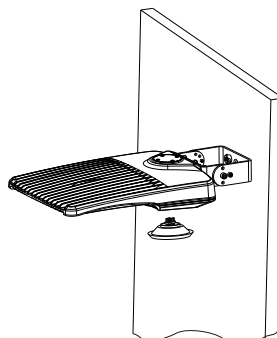
Photocell Series

1. Insert the light sensor into socket with correct holes, then clockwise rotate it into place.
2. Confirm installation location according to installation hole.
3. Connect exposed lamp wire to power wire;
4. Fix lamp: fix the lamp in installation position;
5. Adjust lighting angle of lamp(-90°~90°) ;
6. Fix and adjust angle screw, installation finish.



Motion Sensor series

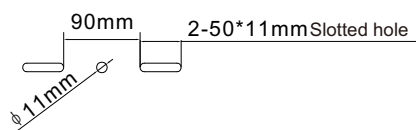
1. Confirm installation location according to installation hole.
2. Connect exposed lamp wire to power wire;
3. Fix lamp: fix the lamp in installation position;
4. Adjust lighting angle of lamp(-90°~90°) ;
5. Insert the Motion sensor into socket with correct holes, then clockwise rotate it into place ;
6. Fix and adjust angle screw, installation finish.



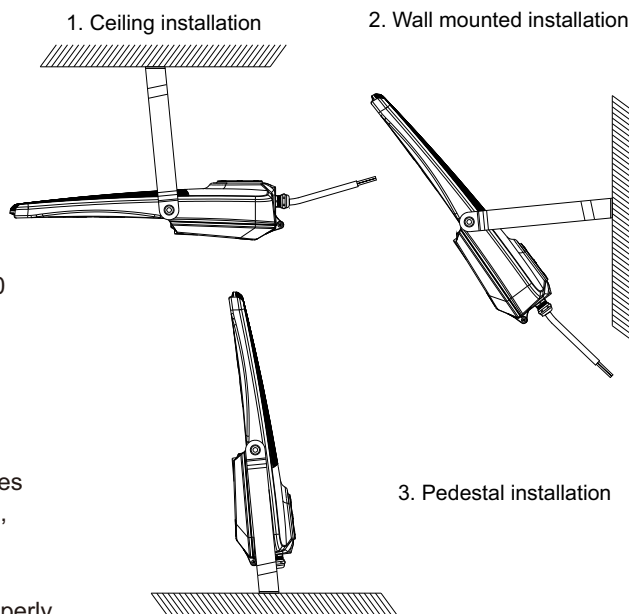


Yoke Mount

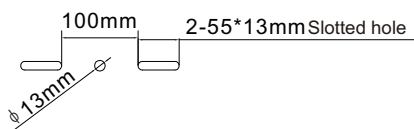
100W-200W



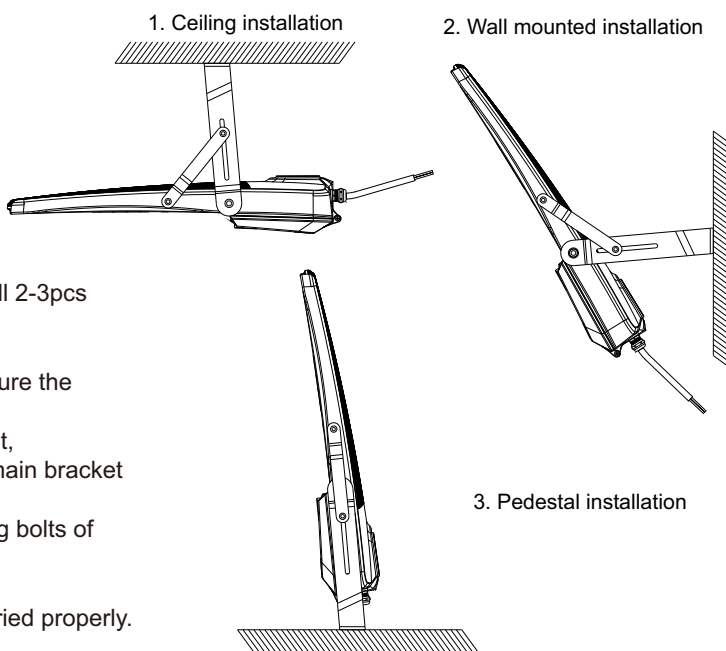
1. Bore holes on the installation surface according to installation hole position on the bracket to install 2-3pcs M10 expansion bolts.
2. Install flat washers, spring washers and nuts to fix and tight the bracket and expansion bolts to ensure the light is installed reliably.
3. If it is necessary to adjust irradiation angle of the light, first to loosen the fixing bolts of the brackets one to two circles (not loosen too much). After proper adjustment of the angle, tighten the fixing bolts.
4. Connect the power cord of the light with commercial power. Waterproof sealing for the joint should be carried properly.



240W-300W

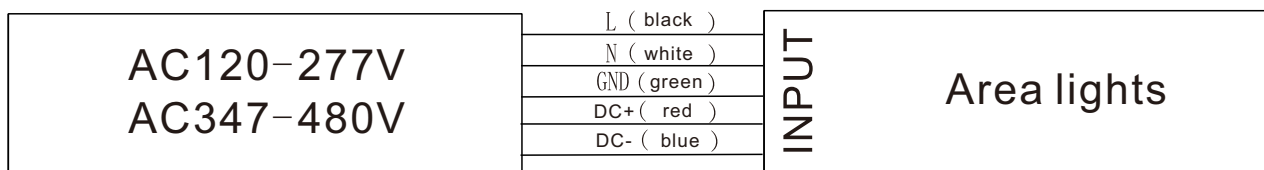


1. bore holes on the installation surface according to installation hole position on the main bracket to install 2-3pcs M10/M12 expansion bolts.
2. Install flat washers, spring washers and nuts to fix and tight the min bracket and expansion bolts to ensure the light is installed reliably.
3. If it is necessary to adjust irradiation angle of the light, loosen the fixing bolts of the auxiliary bracket o the main bracket 1-2 circles (not loosen too much). After proper adjustment of the angle, tighten the fixing bolts of the main bracket and auxiliary bracket.
4. Connect the power cord of the light with commercial power. Waterproof sealing for the joint should be carried properly.



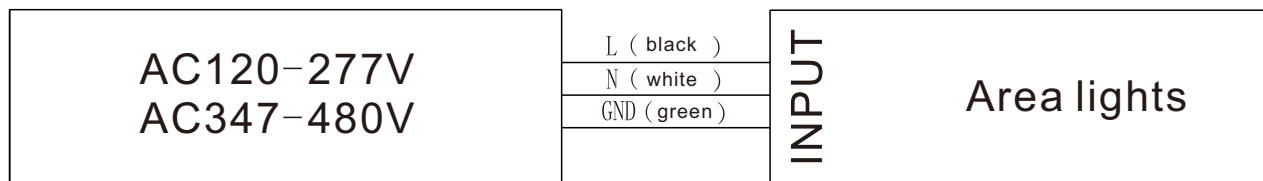
Wiring diagram:

Normal series an Photocell Series:





Motion Sensor series:



Packing information:

Normal series an Photocell Series an Motion Sensor series:

Power	100W	150W	200W	240W	300W
Net weight	3.5kg	5.1kg	5.2kg	6.6kg	7.1kg
Gross weight	4.4kg	6.1kg	6.2kg	8.1kg	8.6kg
Packing dimension	550*375*170mm	680*375*170mm	680*375*170mm	795*390*195mm	795*390*195mm
Packing qty.	1PCS/carton	1PCS/carton	1PCS/carton	1PCS/carton	1PCS/carton

High-voltage series :

Power	100W	150W	200W	240W	300W
Net weight	3.9kg	5.3kg	5.4kg	6.7kg	7.5kg
Gross weight	4.8kg	6.3kg	6.4kg	8.2kg	9kg
Packing dimension	550*375*170mm	680*375*170mm	680*375*170mm	795*390*195mm	795*390*195mm
Packing qty.	1PCS/carton	1PCS/carton	1PCS/carton	1PCS/carton	1PCS/carton

Parts Packing information:

Parts	Slip Fitter	Straight arm bracket :C (Square pole)	Straight arm bracket :D (Square pole)	Straight arm bracket :D (Round pole)	Trunnion bracket	Yoke bracket: 100W-200W	Yoke bracket: 240W-300W
Net weight	1.7kg	1.5kg	2kg	2.2kg	1.2kg	0.6kg	0.85kg
Gross weight	21kg	19kg	25kg	27.5kg	15.5kg	12kg	18kg
Packing dimension (mm)	425x360x240	485x560x240	485x560x240	485x560x240	425x360x240	520x560x390	520x560x390
Packing qty.	12PCS/carton	12PCS/carton	12PCS/carton	12PCS/carton	12PCS/carton	20PCS/carton	20PCS/carton



Installation requirement:

1. Power off before installation; and the lamp must be installed by professional electrician;
2. Confirm installation hole and location;
3. Connect light wire to power wire, seal the joint with insulation;
4. Make sure the installation material can endure the lamp weight; and install the lamp in the operation location.

Notice :

1. Please first read the product specification carefully to make sure the using environment conform to specification, then it can be installation;
2. Please confirm input voltage, frequency before installation;
3. This product must be installed by electrician;
4. If there is any damage to the power wire or shell of the product, it should be taken as defective product and do not use it;
5. Dangerous high voltage, non-professionals are not allowed to maintain the product;
6. If external soft cable or soft wire of the light is damaged, it should be replaced by manufacturer or service agent or personnel with similar qualification to avoid danger.
7. Please pull the power cord to the wiring compartment at the bottom of mounting pole and make the branch connection, the input wire connected at the bottom of the pole. (the length of driver input wire meet the demand of customer's).
8. Use listed water proof bushing at outlet box cover (if applicable).