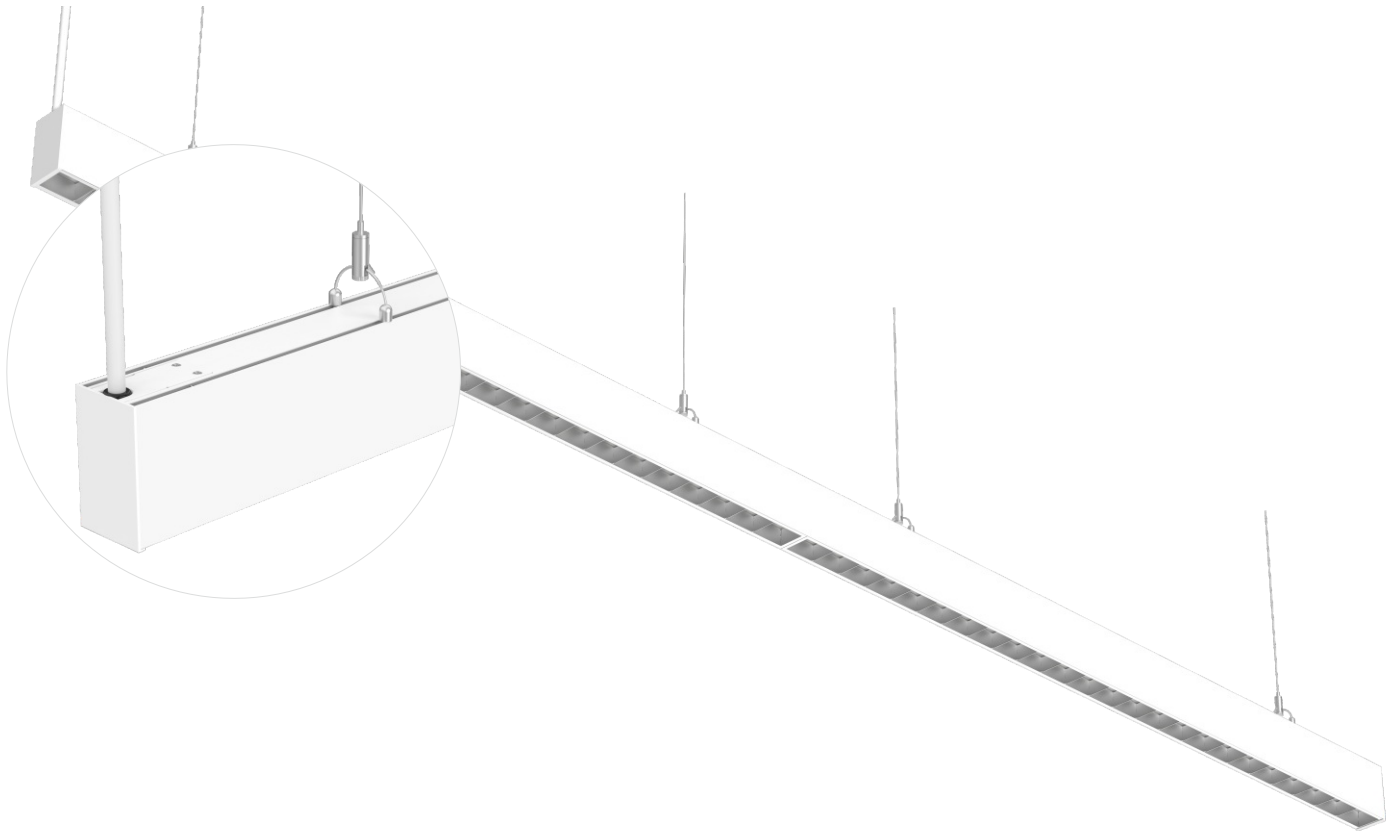


SC-SL8550-040-A2-XX Linear Light



Available colors



Description

- The product is mainly used in parking lots, industrial factory buildings, warehouses, logistics centers, department stores and other public places. The product has simple appearance, soft lamp, adjustable color temperature design and wide application scope.

Features

- The whole lamp is aluminum alloy + PC materials with surface painting, allowing reliable and solid structure and good heat dissipation and optical performance.
- Design of adjustable color temperature of 3 levels
- Selectable splicing manner (single, spliced)
- Selectable installation manner (Ceiling installation and pendant installation)
- Selectable luminescence manner (PC shade, grille)
- Energy Percentage (compared with traditional lamps): 90% energy saving than incandescent lamp.
- Service life: 50000H

Application

- Used in parking lots, industrial factory buildings, warehouses, logistics centers, department stores and other public places.

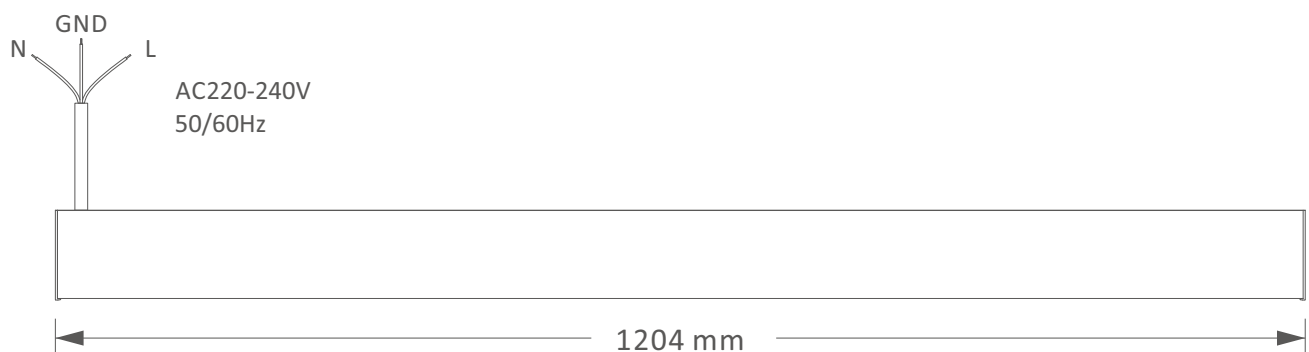
Technical Parameters

| Model | LED type | CCT | LED quantity (PCS) | lumen(lm) (±10%) | POWER(W) (±10%) | Length (MM) | Voltage (V) | Dimming Optional | Pre-wired | CRI | PF |
|-------------------------|----------|-------|--------------------|------------------|-----------------|-------------|-------------|------------------|-----------|-----|------------------|
| SC-SL8550-040-A2-01CW | 2835 | 5000k | 408 | 3500 | 40 | 1204 | 220-240V | non-dimmable | L,N,G | ≥80 | PF≥0.90 (220Vac) |
| SC-SL8550-040-A2-01NW | | 4000k | 408 | 3700 | | | | | | | |
| SC-SL8550-040-A2-01WW | | 3000k | 408 | 3400 | | | | | | | |
| SC-SL8550-040-A2-01CW-G | 2835 | 5000k | 576 | 3300 | | | | | | | |
| SC-SL8550-040-A2-01NW-G | | 4000k | 576 | 3400 | | | | | | | |
| SC-SL8550-040-A2-01WW-G | | 3000k | 576 | 3200 | | | | | | | |
| SC-SL8550-040-A2-CW-C | 2835 | 5000k | 408 | 3500 | | | | | | | |
| SC-SL8550-040-A2-NW-C | | 4000k | 408 | 3700 | | | | | | | |
| SC-SL8550-040-A2-WW-C | | 3000k | 408 | 3400 | | | | | | | |
| SC-SL8550-040-A2-CW-G-C | 2835 | 5000k | 576 | 3300 | | | | | | | |
| SC-SL8550-040-A2-NW-G-C | | 4000k | 576 | 3400 | | | | | | | |
| SC-SL8550-040-A2-WW-G-C | | 3000k | 576 | 3200 | | | | | | | |

Product code

- Model with single PC shade: SC-SL8550-040;
Model with single grille: SC-SL8550-040-G;
Model with spliced PC shade: SC-SL8550-040-C;
Model with spliced grille: SC-SL8550-040-G-C;

Dimensions



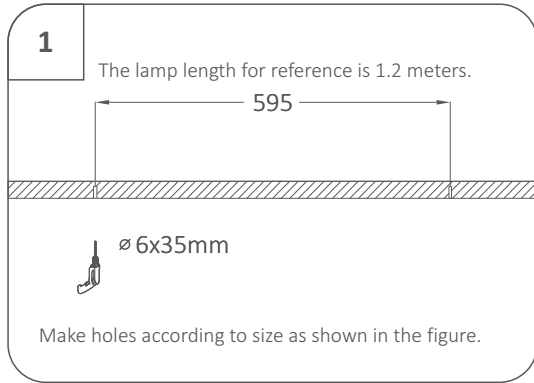
Installation instruction

● Schematic diagram for splicing ceiling installation (1.2 meters)

1

The lamp length for reference is 1.2 meters.

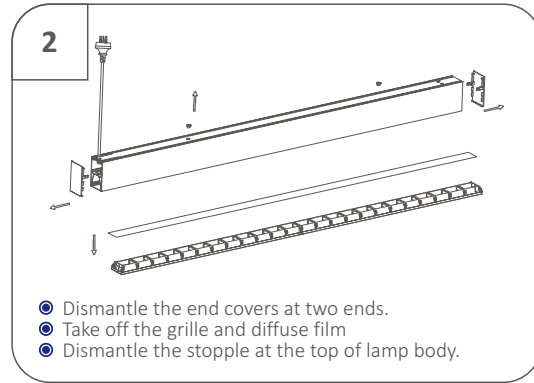
595



∅6x35mm

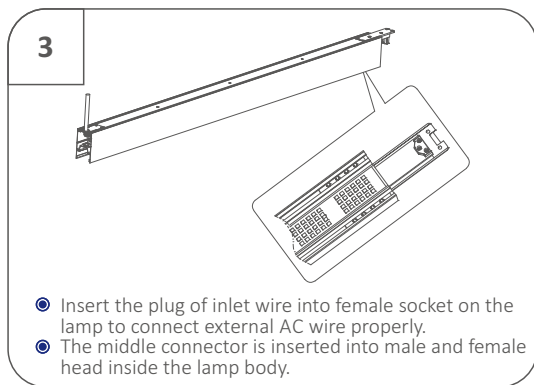
Make holes according to size as shown in the figure.

2



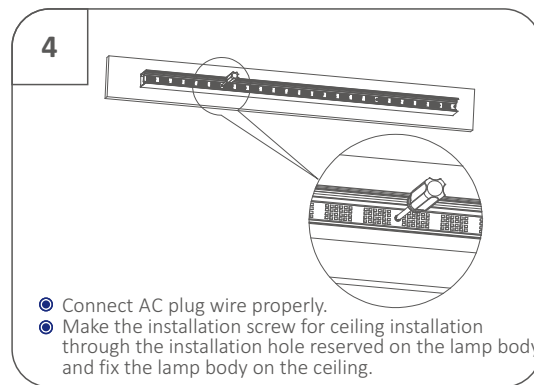
- Dismantle the end covers at two ends.
- Take off the grille and diffuse film
- Dismantle the stopple at the top of lamp body.

3



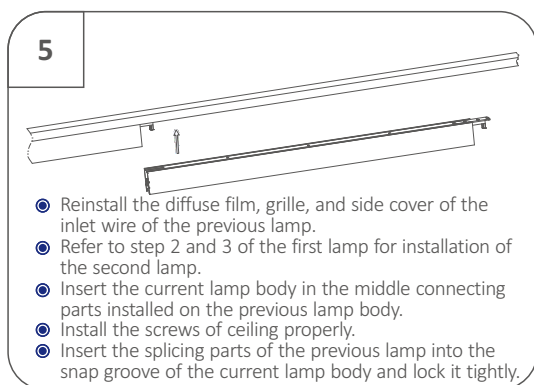
- Insert the plug of inlet wire into female socket on the lamp to connect external AC wire properly.
- The middle connector is inserted into male and female head inside the lamp body.

4



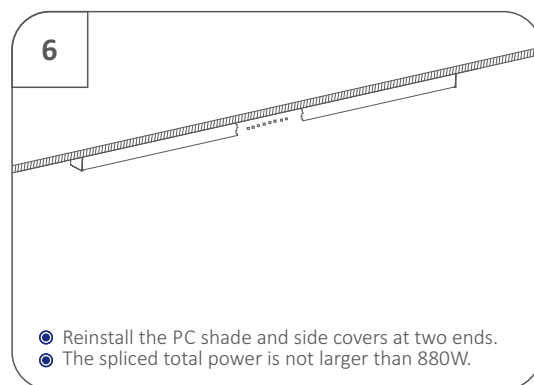
- Connect AC plug wire properly.
- Make the installation screw for ceiling installation through the installation hole reserved on the lamp body and fix the lamp body on the ceiling.

5



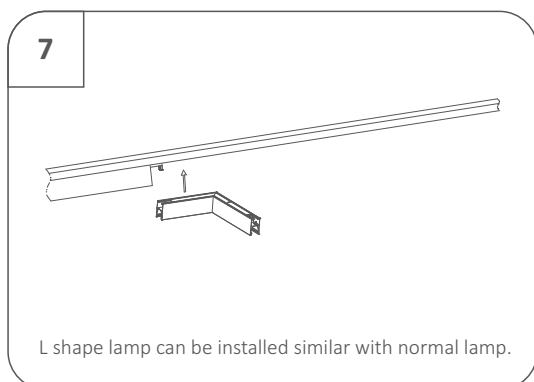
- Reinstall the diffuse film, grille, and side cover of the inlet wire of the previous lamp.
- Refer to step 2 and 3 of the first lamp for installation of the second lamp.
- Insert the current lamp body in the middle connecting parts installed on the previous lamp body.
- Install the screws of ceiling properly.
- Insert the splicing parts of the previous lamp into the snap groove of the current lamp body and lock it tightly.

6



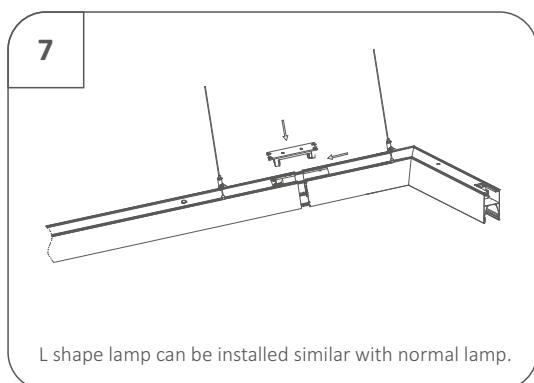
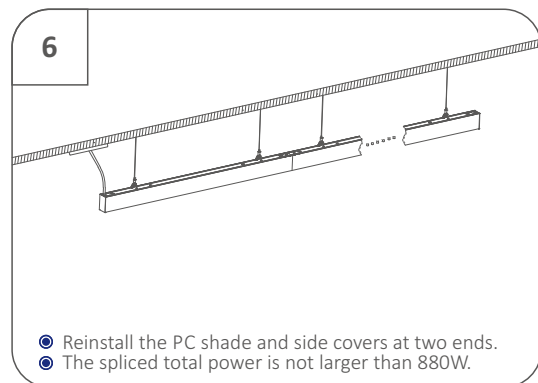
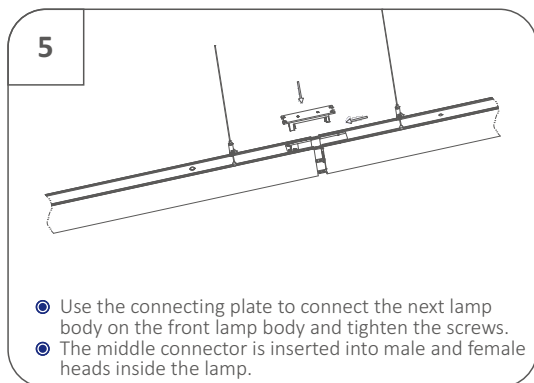
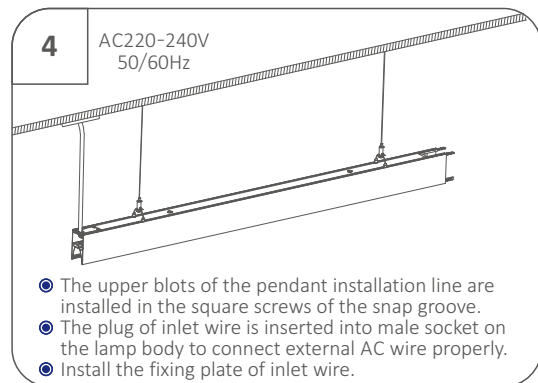
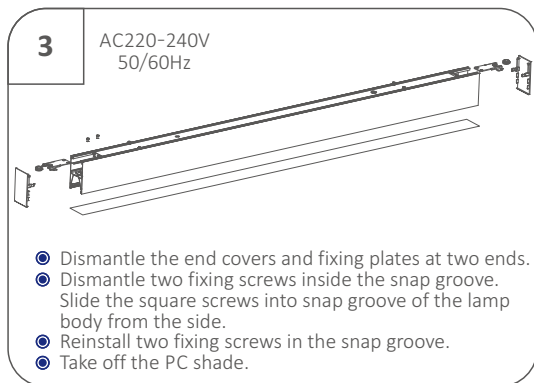
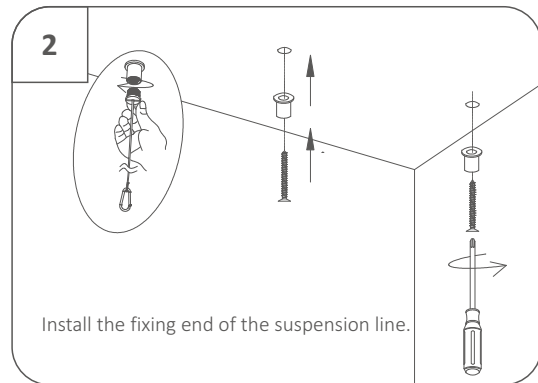
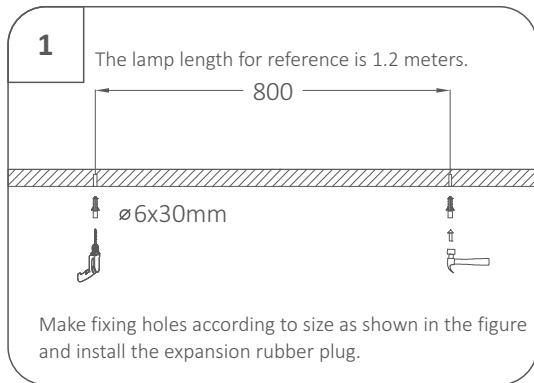
- Reinstall the PC shade and side covers at two ends.
- The spliced total power is not larger than 880W.

7

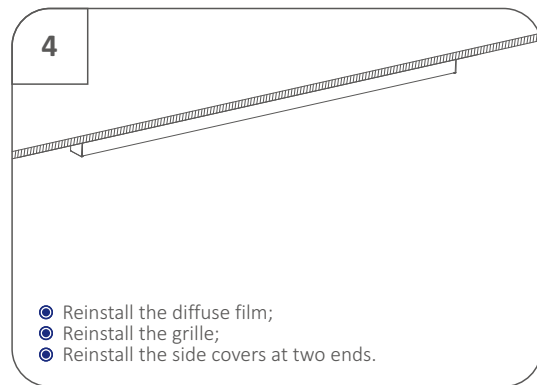
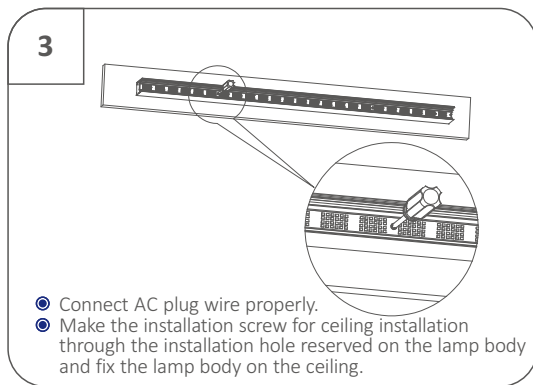
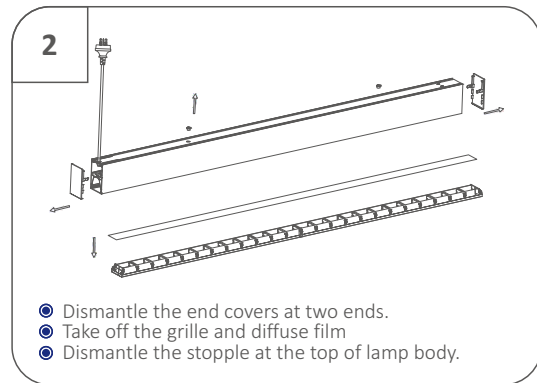
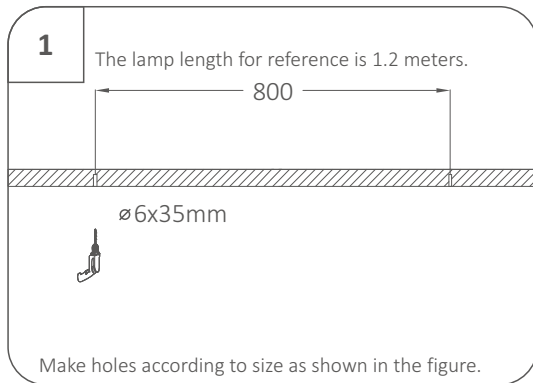


L shape lamp can be installed similar with normal lamp.

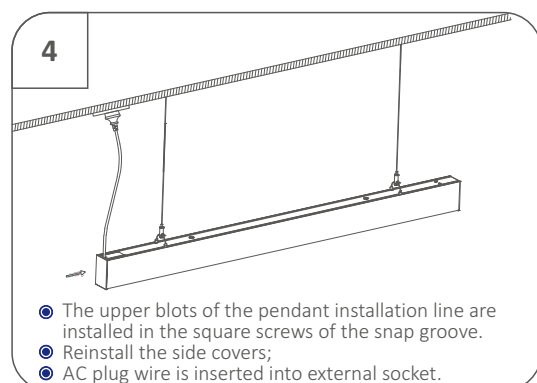
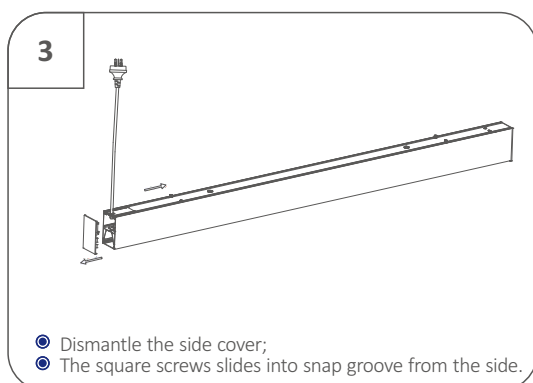
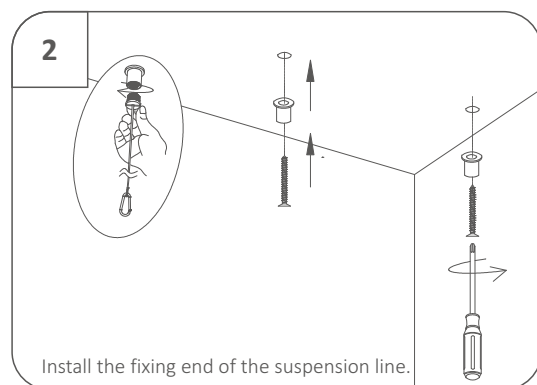
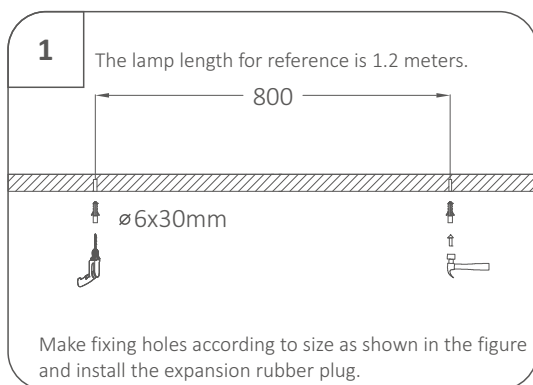
● Schematic diagram for splicing pendant installation (1.2 meters)



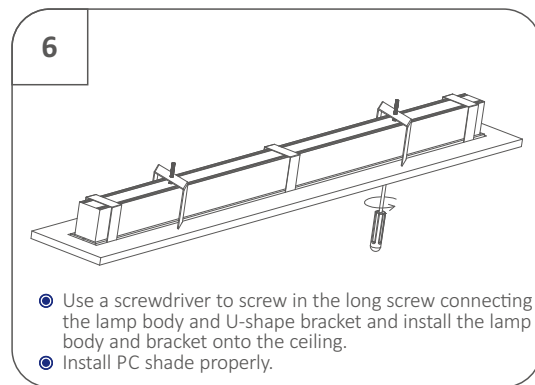
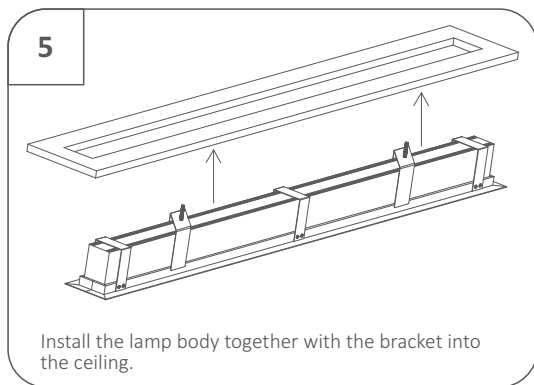
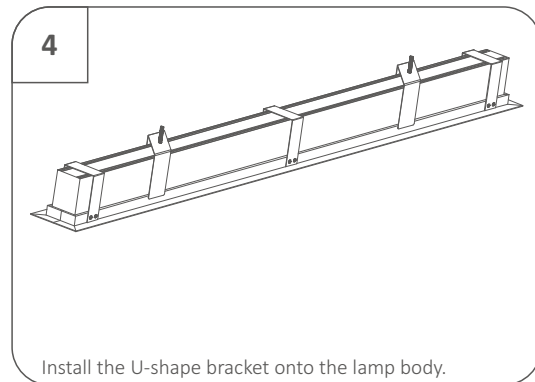
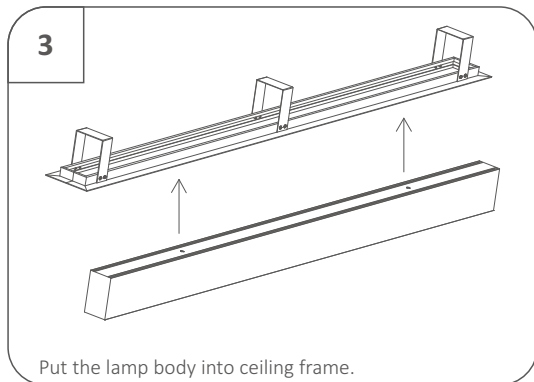
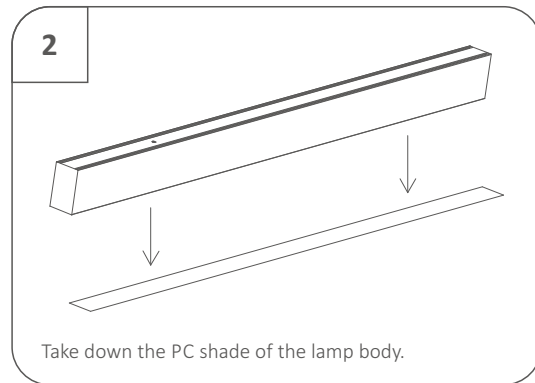
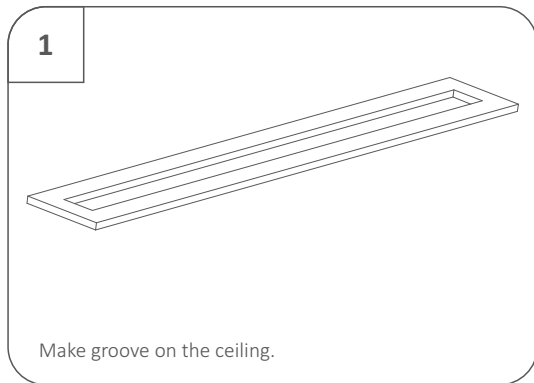
● Schematic diagram for single ceiling installation (1.2 meters)



● Schematic diagram for single pendant installation (1.2 meters)



● Embedded installation



Packaging

| 40W | Net weight/PC | Gross weight/CTN | Carton weight | Inner size | Carton size |
|--------------------------------------|---------------|------------------|---------------|----------------|----------------|
| 1 pc/inner box, 6 inner boxes/carton | 1.7Kg | 2Kg | 14Kg | 1274*130*106mm | 1288*404*230mm |

Installation Requirement

- Ensure to cut off the power supply first before installation.
- Ensure that the installed object can bear the lamp weight. Open the hole on the ceiling according to corresponding size. Then install the lamp on the ceiling.
- Connect the external power line with AC line matching with the lamp. Carry out insulation sealing at the joint properly.

Notice

- Please read the product specification carefully first to confirm that the use environment is in line with the condition on the specification before it is used.
- Please confirm the input voltage and frequency before use.
- The lamp must be installed by professional personnel.
- If the power line and casing of the products are damaged, it will be regarded as disqualified product and should not be used.
- Dangerous high voltage. Non professional personnel should not repair.
- If external soft cable or wire of the product is damaged, the wire should be replaced by manufacturer or service agent or personnel with similar qualification to avoid danger.



Yijia Industrial Park, Fuqian Road, Guanlan
Town, Longhua, Shenzhen, Guangdong, China

Tel:+86-755-27608650
Fax:+86-755-27608651
www.signcomplex.com
sales@signcomplex.com