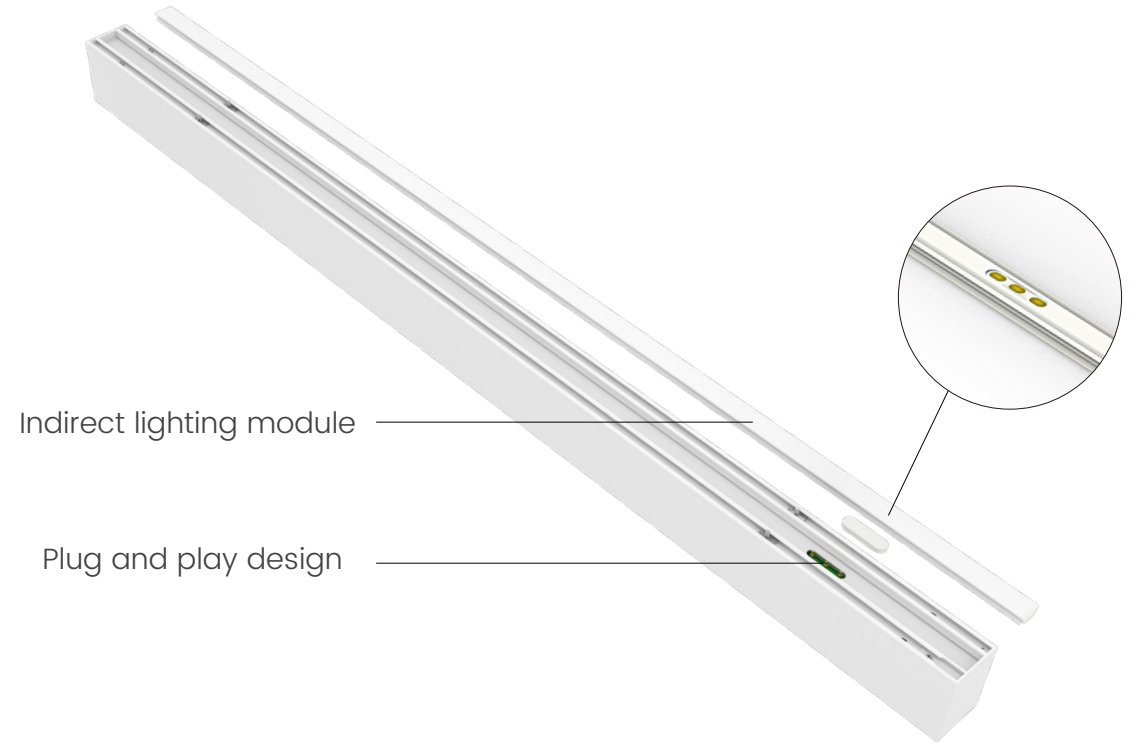
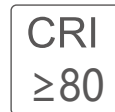




Signcomplex | light and smart



8055 direct/indirect linear light



Application

Suitable for residential, commercial and project lighting. Applications can be hotels, guesthouses, office buildings, shopping malls, and entertainment venues.

Features

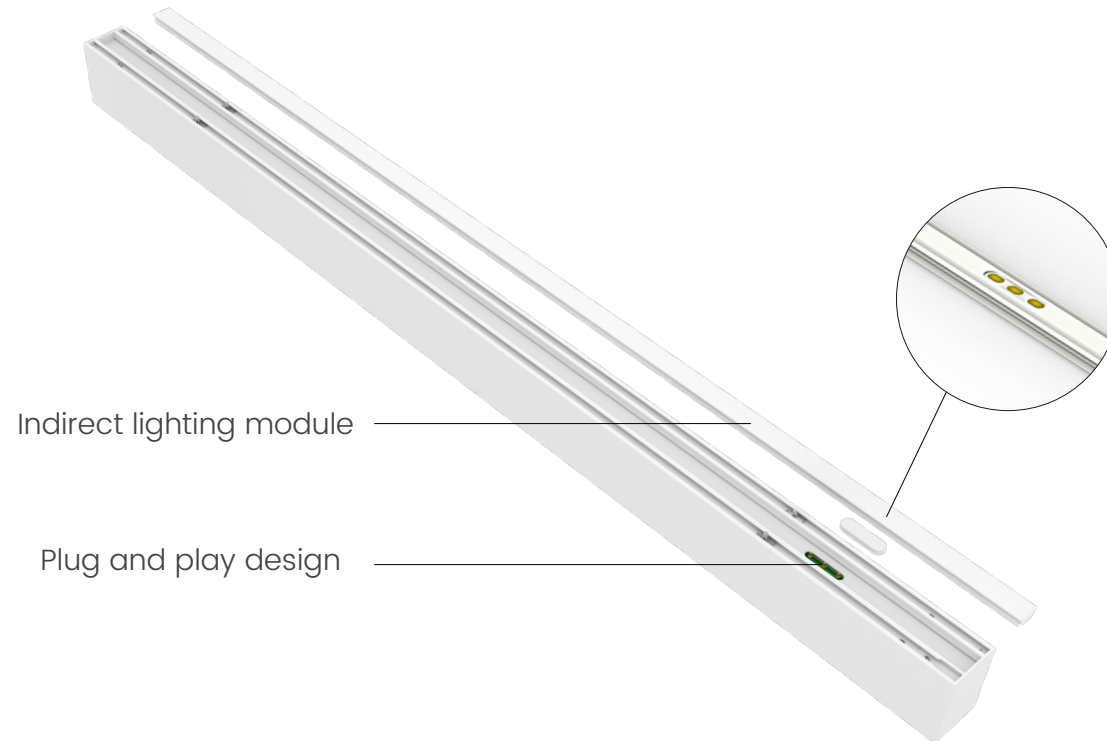
The outer frame adopts 6063-T5 extruded aluminum, light weight and good heat dissipation. Various colors can be sprayed to meet customer requirements.

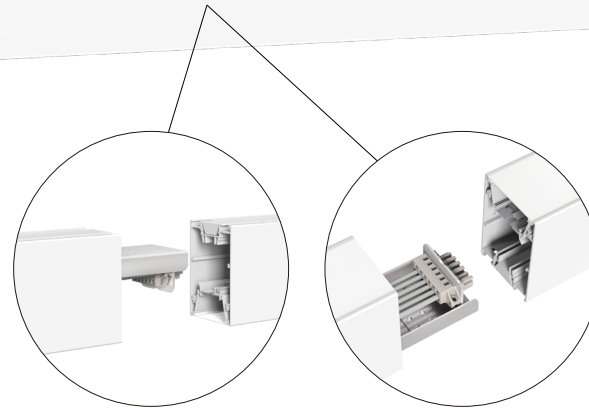
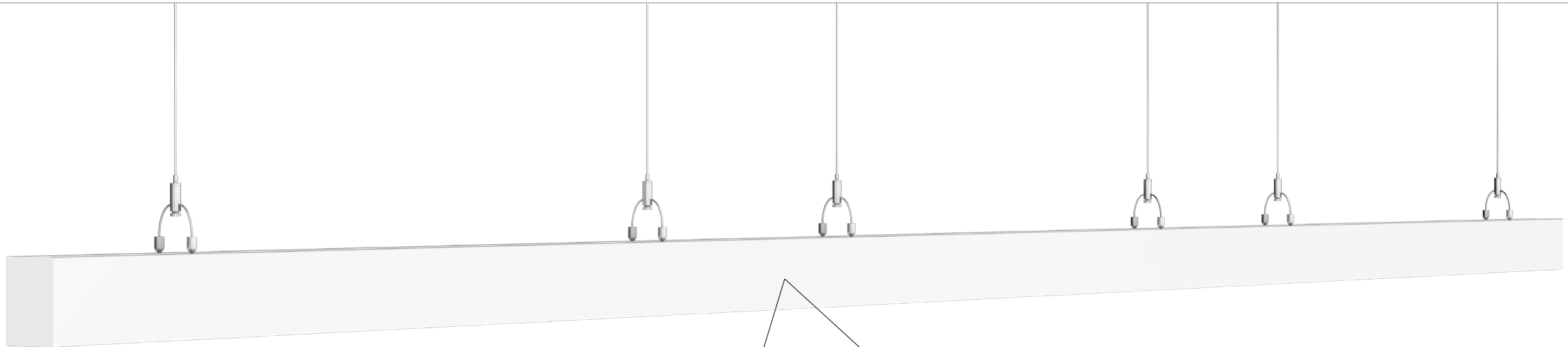


   | THREE REGULAR COLORS

Feature

The product has two types: direct lighting and direct/indirect lighting. The indirect lighting module is an integrated design with a quick coupling structure, which can be used as accessories for delivery, and customers can choose to install/purchase.





Feature

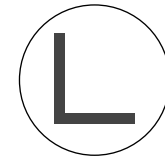
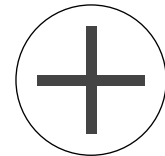
Product can be used individually or seamlessly spliced. Each lamp has a built-in connector to realize the connection of circuit and structure. Under the 220V circuit, the longest connection can be 900W.

900W
longest
connection



Feature

The product can be connected in various shapes through the L shape, cross shape and other connection accessories.



The light source adopts 2538 SMD LEDs, good heat dissipation, long life up to 50000 hours.



long service life up

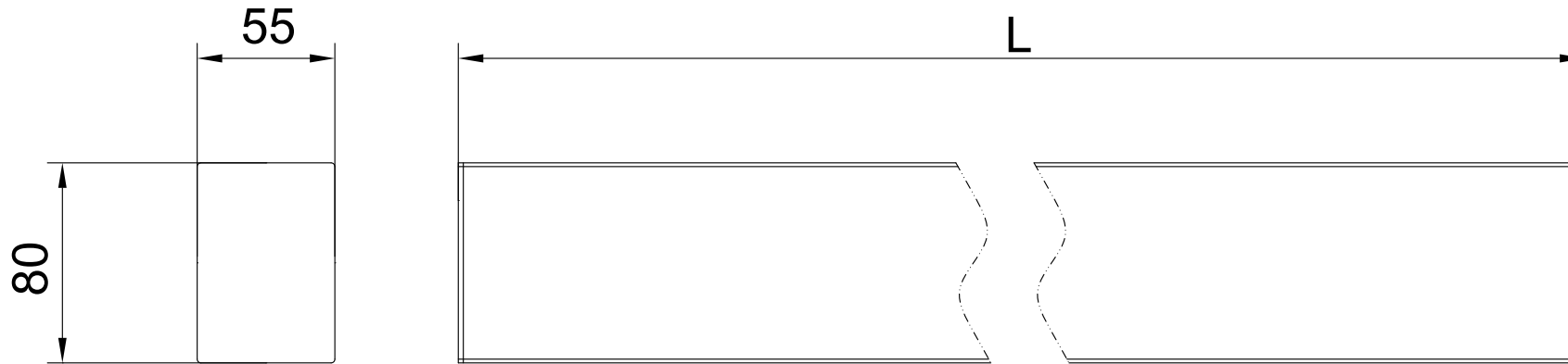
Product name	Model	CCT	Lumens	Power	Beam angle	Input Voltage	LED type	CRI	IP	PF	Remark
1.2M Direct lighting only	SC-SL8055-040-D-AW-CW	6000k-6500k	4100	40	110°	220-240VAC 50/60HZ	SMD 2835	> 80	IP40	> 0.9	No dimming +milky lens
	SC-SL8055-040-D-AW-NW	3800k-4200k	4200								DAI dimming +milky lens
	SC-SL8055-040-D-AW-WW	2800k-3200k	4000								No dimming +UGR<19 lens
	SC-SL8055-040-D-DA-AW-CW	6000k-6500k	4100								DAI dimming +UGR<19 lens
	SC-SL8055-040-D-DA-AW-NW	3800k-4200k	4200								
	SC-SL8055-040-D-DA-AW-WW	2800k-3200k	4000								No dimming +UGR<19 lens
	SC-SL8055-040-D-UGR-AW-CW	6000k-6500k	4100								
	SC-SL8055-040-D-UGR-AW-NW	3800k-4200k	4200								
	SC-SL8055-040-D-UGR-AW-WW	2800k-3200k	4000								DAI dimming +UGR<19 lens
	SC-SL8055-040-D-DU-AW-CW	6000k-6500k	4100								
SC-SL8055-040-D-DU-AW-NW	3800k-4200k	4200									
SC-SL8055-040-D-DU-AW-WW	2800k-3200k	4000									
1.5M Direct lighting only	SC-SL8055-050-D-AW-CW	6000k-6500k	5100	50	110°	220-240VAC 50/60HZ	SMD 2835	> 80	IP40	> 0.9	No dimming +milky lens
	SC-SL8055-050-D-AW-NW	3800k-4200k	5200								DAI dimming +milky lens
	SC-SL8055-050-D-AW-WW	2800k-3200k	5000								No dimming +UGR<19 lens
	SC-SL8055-050-D-DA-AW-CW	6000k-6500k	5100								DAI dimming +UGR<19 lens
	SC-SL8055-050-D-DA-AW-NW	3800k-4200k	5200								
	SC-SL8055-050-D-DA-AW-WW	2800k-3200k	5000								No dimming +UGR<19 lens
	SC-SL8055-050-D-UGR-AW-CW	6000k-6500k	5100								
	SC-SL8055-050-D-UGR-AW-NW	3800k-4200k	5200								
	SC-SL8055-050-D-UGR-AW-WW	2800k-3200k	5000								DAI dimming +UGR<19 lens
	SC-SL8055-050-D-DU-AW-CW	6000k-6500k	5100								
SC-SL8055-050-D-DU-AW-NW	3800k-4200k	5200									
SC-SL8055-050-D-DU-AW-WW	2800k-3200k	5000									

Product name	Model	CCT	Lumens	Power	Beam angle	Input Voltage	LED type	CRI	IP	PF	Remark
2.4M Direct lighting only	SC-SL8055-080-D-AW-CW	6000k-6500k	8200	80	110°	220-240VAC 50/60HZ	SMD 2835	> 80	IP40	> 0.9	No dimming +milky lens
	SC-SL8055-080-D-AW-NW	3800k-4200k	8400								DAI dimming +milky lens
	SC-SL8055-080-D-AW-WW	2800k-3200k	8000								No dimming +UGR<19 lens
	SC-SL8055-080-D-DA-AW-CW	6000k-6500k	8200								DAI dimming +UGR<19 lens
	SC-SL8055-080-D-DA-AW-NW	3800k-4200k	8400								
	SC-SL8055-080-D-DA-AW-WW	2800k-3200k	8000								
	SC-SL8055-080-D-UGR-AW-CW	6000k-6500k	8200								
	SC-SL8055-080-D-UGR-AW-NW	3800k-4200k	8400								DAI dimming +UGR<19 lens
	SC-SL8055-080-D-UGR-AW-WW	2800k-3200k	8000								
	SC-SL8055-080-D-DU-AW-CW	6000k-6500k	8200								
SC-SL8055-080-D-DU-AW-NW	3800k-4200k	8400									
SC-SL8055-080-D-DU-AW-WW	2800k-3200k	8000									
1.2M Indirect lighting module	SC-SL8055-010-U-12-CW	6000k-6500k	1025	10	110°	46-50VDC	SMD 2835	> 80	IP40	> 0.9	No dimming & DAI dimming
	SC-SL8055-010-U-12-NW	3800k-4200k	1050								
	SC-SL8055-010-U-12-WW	2800k-3200k	1000								
1.5M Indirect lighting module	SC-SL8055-013-U-15-CW	6000k-6500k	1275	13	110°	46-50VDC	SMD 2835	> 80	IP40	> 0.9	No dimming & DAI dimming
	SC-SL8055-013-U-15-NW	3800k-4200k	1300								
	SC-SL8055-013-U-15-WW	2800k-3200k	1250								

Notes:

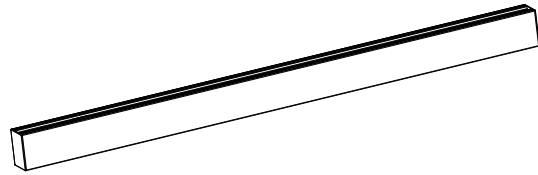
- (1) When the lamp with direct lighting is upgraded to the lamp with direct/indirect lighting, the lumen and power of the lamp with direct lighting are both 75% of the original;
- (2) When 2.4M lamp with direct lighting is upgraded to the lamp with direct/indirect lighting, each lamp with direct lighting needs to be equipped with 2PCS 1.2M indirect lighting modules.

Dimensions (Unit: mm)



- **1.2m lamp size:** 1202*55*80mm
- **1.5m lamp size:** 1502*55*80mm
- **2.4m lamp size:** 2402*55*80mm

Order list



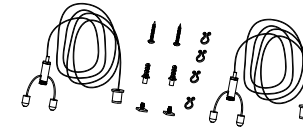
1

Linear light with direct lighting
(Note: including milky white PC shade, if not need,
please tell the sale, to reduce the cost of the PC shade)



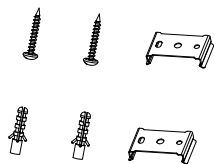
2

Indirect lighting module
(selective assembly)



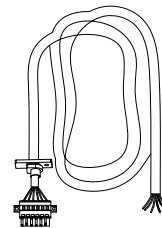
3

Suspension installation accessory
(selective assembly)



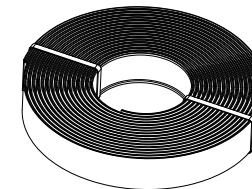
4

Ceiling installation accessory
(selective assembly)



5

2M AC wire + input connector
(selective assembly)



6

10M/roll milky white PC shade for direct lighting
(selective assembly)

Product name	Model	Product size (mm)	Inner packing size(mm)	Inner box quantity (pcs/inner box)	Inner packing weight(kg)	Carton size (mm)	Carton quantity (inner box/carton)	Carton weight(kg)
1.2M Direct lighting only	SC-SL8055-040-D-AW-CW SC-SL8055-040-D-AW-NW SC-SL8055-040-D-AW-WW	L1202*W55*H80	L1274*W130*H106	1pcs lamp / inner box	2.8kg	L1288*W274*H230	4pcs inner box / carton	15kg
	SC-SL8055-040-D-DA-AW-CW SC-SL8055-040-D-DA-AW-NW SC-SL8055-040-D-DA-AW-WW							
	SC-SL8055-040-D-UGR-AW-CW SC-SL8055-040-D-UGR-AW-NW SC-SL8055-040-D-UGR-AW-WW							
	SC-SL8055-040-D-DU-AW-CW SC-SL8055-040-D-DU-AW-NW SC-SL8055-040-D-DU-AW-WW							
1.5M Direct lighting only	SC-SL8055-050-D-AW-CW SC-SL8055-050-D-AW-NW SC-SL8055-050-D-AW-WW	L1502*W55*H80	L1552*W130*H110	1pcs lamp / inner box	3.5kg	L1566*W280*H230	4pcs inner box / carton	18.5kg
	SC-SL8055-050-D-DA-AW-CW SC-SL8055-050-D-DA-AW-NW SC-SL8055-050-D-DA-AW-WW							
	SC-SL8055-050-D-UGR-AW-CW SC-SL8055-050-D-UGR-AW-NW SC-SL8055-050-D-UGR-AW-WW							
	SC-SL8055-050-D-DU-AW-CW SC-SL8055-050-D-DU-AW-NW SC-SL8055-050-D-DU-AW-WW							

Product name	Model	Product size (mm)	Inner packing size(mm)	Inner box quantity (pcs/inner box)	Inner packing weight(kg)	Carton size (mm)	Carton quantity (inner box/carton)	Carton weight(kg)
2.4M Direct lighting only	SC-SL8055-080-D-AW-CW SC-SL8055-080-D-AW-NW SC-SL8055-080-D-AW-WW	L2402*W55*H80	L2448*W130*H110	1pcs lamp / inner box	5.8kg	L2462*W144*H238	2pcs inner box / carton	15kg
	SC-SL8055-080-D-DA-AW-CW SC-SL8055-080-D-DA-AW-NW SC-SL8055-080-D-DA-AW-WW							
	SC-SL8055-080-D-UGR-AW-CW SC-SL8055-080-D-UGR-AW-NW SC-SL8055-080-D-UGR-AW-WW							
	SC-SL8055-080-D-DU-AW-CW SC-SL8055-080-D-DU-AW-NW SC-SL8055-080-D-DU-AW-WW							

Notice

- ◆ Please read the specification first, to make sure the service environment matches the condition in the specification before using.
 - ◆ Please confirm the applicable power supply before using.
 - ◆ Make sure the switch of product is off before connecting to the power supply to prevent electric shock.
 - ◆ Operation against rules may damage your property even harm to your personal safety.
 - ◆ Preliminarily estimate required quantity of LED linear lights, then according to the power rating of single linear light to figure out the total power and design power supply plan.
- Dangerous high voltage, non-professionals are not allowed to maintain the products.
- ◆ If the exterior flexible cable or wire is damaged, it must be exchanged by the supplier, its agent or other similar qualified personnels to avoid dangers.