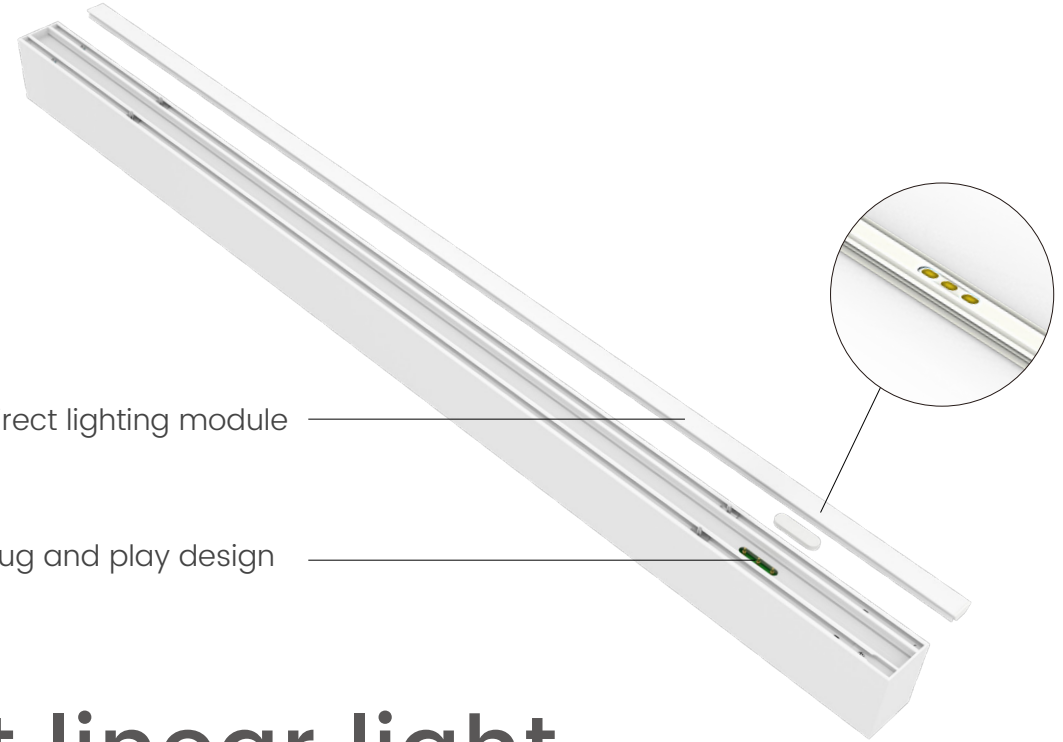
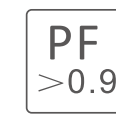
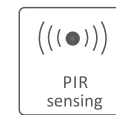




Signcomplex | light and smart



8055 direct/indirect linear light with PIR sensor



Description

Linear light with sensor, simple design, beautiful and generous. PIR human body sensing function can accurately sense human body temperature and action to prevent false triggering. With DAYLIGHT HARVESTING function, intelligently reduces power, energy saving.



Feature

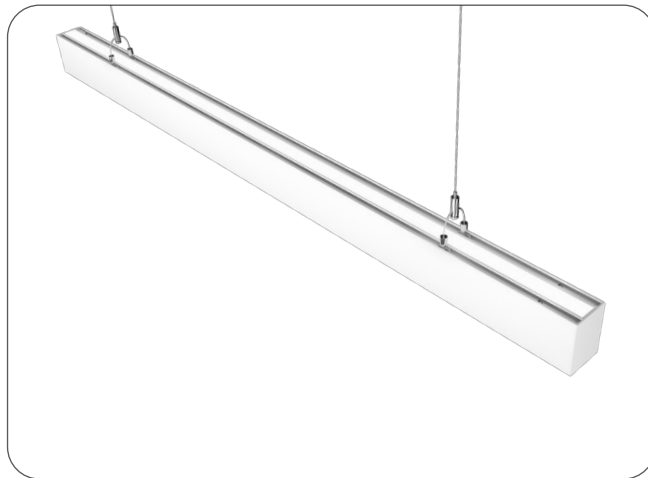
PIR Sensor

PIR sensing, intelligently adjusts brightness,
energy saving



Well-designed and beautiful appearance

Feature



Simple and modern design,
screwless at end cap



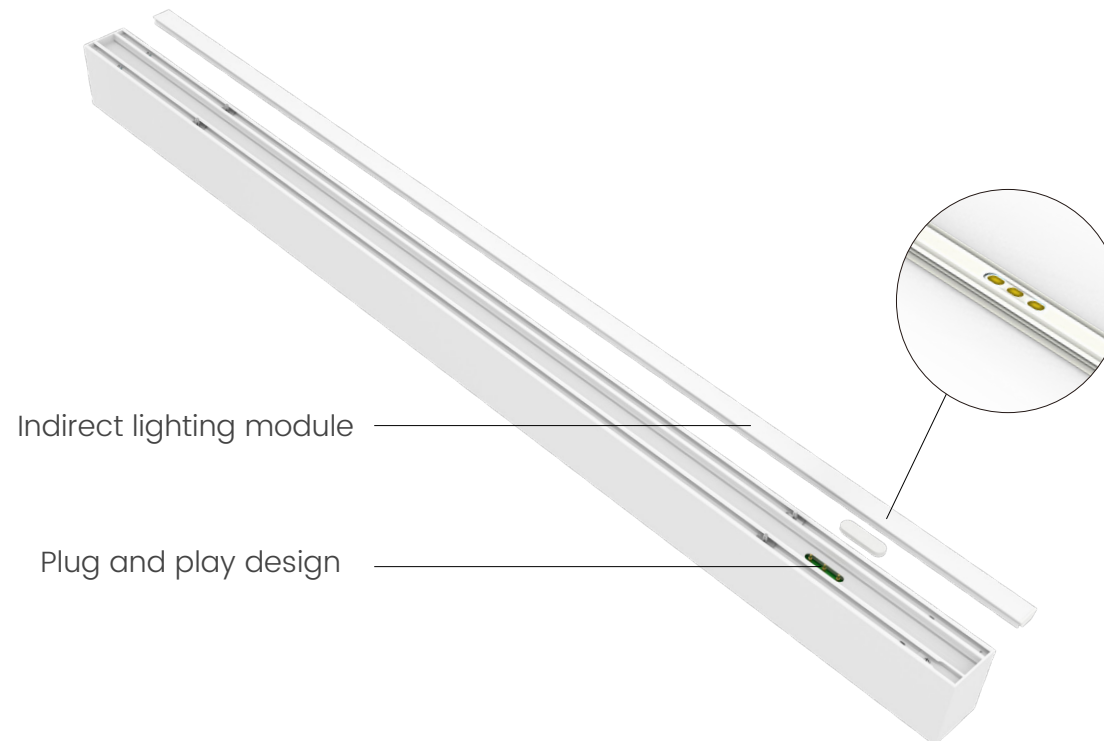
Extrusion aluminum lamp body
and PC cover, anti-UV and
anti-yellowing



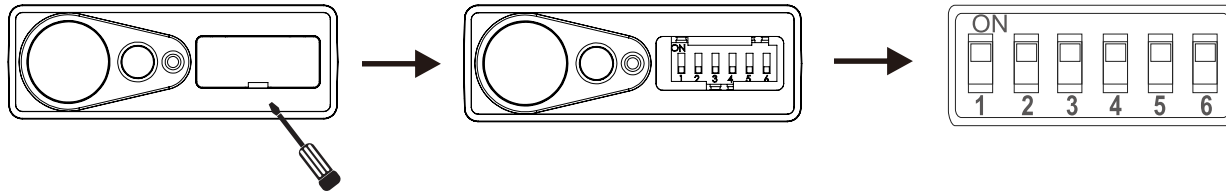
Smooth and soft lighting effect, no
dark dot or shadow at the lighting
area

Feature

The product has two types: direct lighting and direct/indirect lighting. The indirect lighting module is an integrated design with a quick coupling structure, which can be used as accessories for delivery, and customers can choose to install/purchase.



Function and options



- ◆ 1, 2 set hold time
- ◆ 3, 4 set Task Light Level
- ◆ 5 set Enable/Disable DAYLIGHT HARVESTING
- ◆ 6 stand-by light level



The light will always switch ON automatically on detecting presence or manually with power switch (even without detecting presence) - When DAYLIGHT HARVESTING is enabled, the light output regulates between Task and Stand By levels according to the level of natural light available.



The light turns on at full or dims to maintain the lux level. The light output regulates according to the level of natural light available.



The light dims to "stand-by level" after hold time.



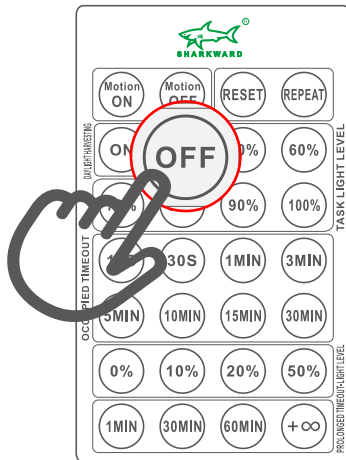
The light switches off completely after the stand-by period.

DAYLIGHT HARVESTING

As the intensity of the ambient light is different, the sensor intelligently adjusts the output power to ensure the constant lux and achieve energy saving

Function usage:

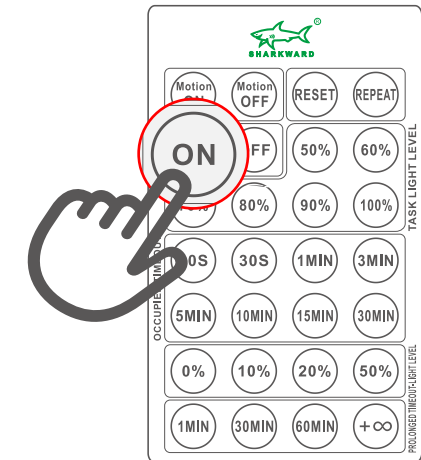
The setting environment is recommended to be carried out at night or without the influence of other light



1) Click "OFF" in the DAYLIGHT HARVESTING function key, this function is closed, to prevent the constant lux function that has been set before, causing interference to this setting



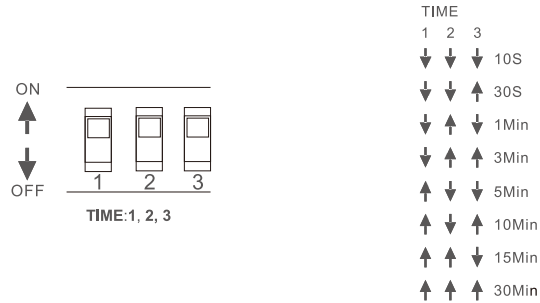
2) Take a lux meter and place it on the desktop or workbench to observe whether the current brightness of the lamp meets customer's needs. If not, 50%-100% lux can be set in the "TASK LIGHT LEVEL" button until it meets the customer's requirements



3) After brightness setting, click "ON" in the DAYLIGHT HARVESTING function key to open this function. The sensor will automatically recognize the lux of the current desktop or workbench, and the function setting is completed.

Occupied Timeout Setting

The light can be set to stay on for any time between approx. 10sec and a maximum 30min. Any movement detected before this time elapses will re-start the timer.



Stand-by Light Level Setting

The DIP switch to the on is "↑", The dip switch to the off is "↓"; The corresponding position of the DIP switch as below:



Stand-by Time Setting

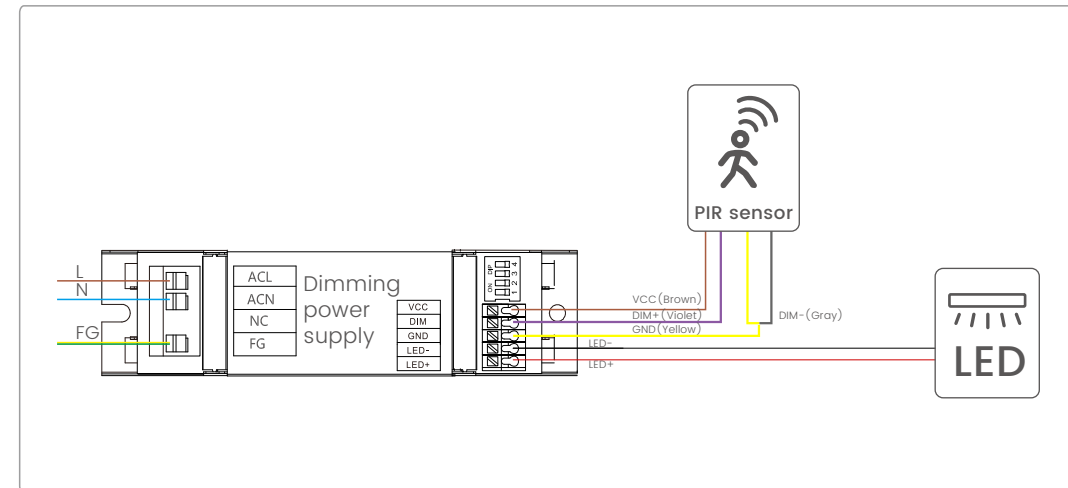
The position of DIP switch as below:



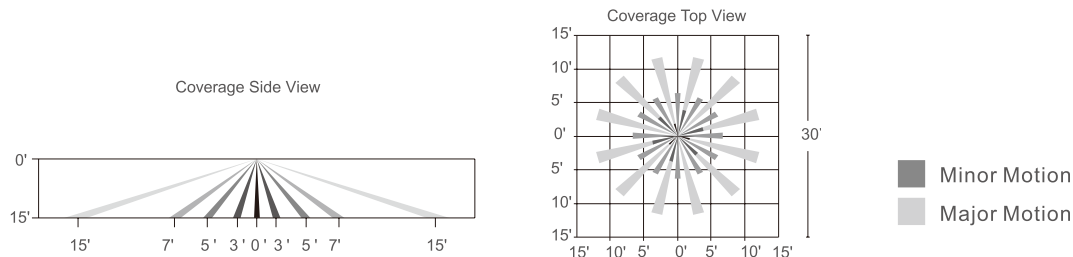
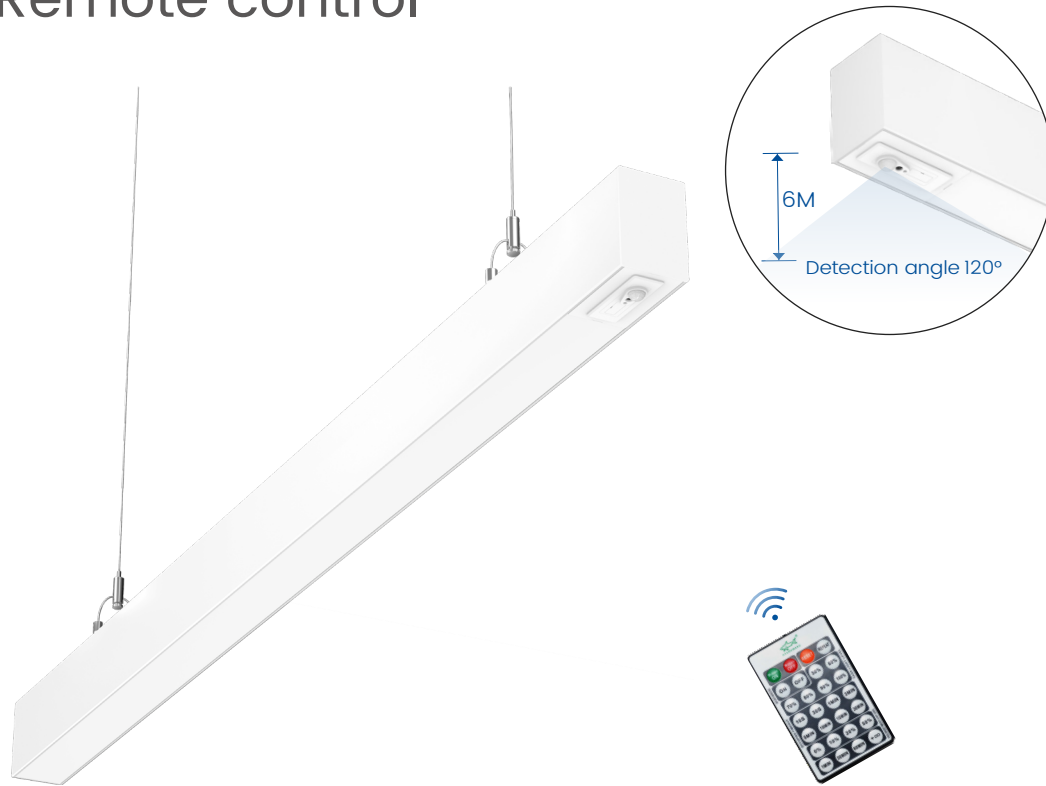
- Manually adjust the DIP switch so that the required light level is realized.
- Copy the position of the DIP switch to every.
- The Task light level set by DIP switch or remote control, the set parameters by last time set .

Electrical Connection

Sensor wiring with 10~ 28VDC wire dimming ballast or LED driver.



Remote control



DAYLIGHT HAVESTING FUNCTION SETTING BY REMOTE CONTROL RC-105.

		Press the "Motion ON" button, the motion function is opened.		Press the "Motion OFF" button, the motion function is disabled. The luminaire is unaffected whether or not a moving signal is detected.
		Press the "RESET" button, all parameters are restored to DIP switch setting.		Press the "REPEAT" button, copy the parameters set by the remote control last time. Can be repeated "adhesive" to different lamps, set the same parameters.
		Press the "ON" button, The DAYLIGHT HARVESTING is turned on.		Press the "OFF" button, The daylight harvesting is turned off, that the light is not affected by ambient brightness, means DAYLIGHT HARVESTING is disabled.
		Task light level, means set the indoor ambient brightness value. The light output regulates automatically according to the level of natural light available.		Occupied timeout, the time that the sensor will turn off (if choose "LIGHT LEVEL" is 0%) or dim the light to a low level after the area is vacated
		LIGHT LEVEL, to set the output level of connected lighting during vacancy. The sensor will regulate the lighting output at the set level. Setting the "0%" means light full off during vacancy.		PROLONGED TIMEOUT, to represents the time that the sensor will keep the light at low dim level after the "OCCUPIED TIMEOUT" elapsed.

Application

- ◆ Hotels
- ◆ Conference rooms
- ◆ Factories
- ◆ Offices
- ◆ Institution buildings
- ◆ Schools
- ◆ Hospitals
- ◆ Other places

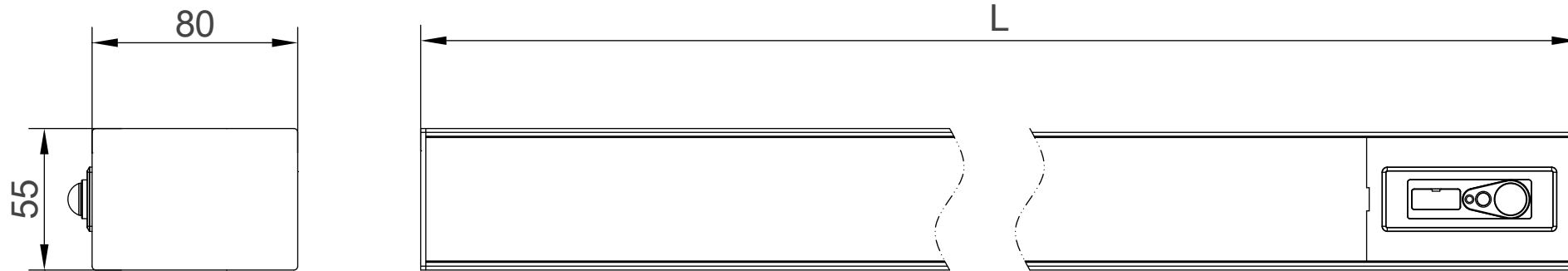


Product name	Model	CCT	Lumens	Power	Beam angle	Input Voltage	LED type	CRI	IP	PF	Remark
1.2M Direct lighting only	SC-SL8055-040-D-IR-AW-CW	6000k-6500k	4100	40	110°	220-240VAC 50/60HZ	SMD 2835	> 80	IP40	> 0.9	No dimming +milky lens
	SC-SL8055-040-D-IR-AW-NW	3800k-4200k	4200								
	SC-SL8055-040-D-IR-AW-WW	2800k-3200k	4000								
	SC-SL8055-040-D-IU-AW-CW	6000k-6500k	4100								No dimming +UGR<19 lens
	SC-SL8055-040-D-IU-AW-NW	3800k-4200k	4200								
	SC-SL8055-040-D-IU-AW-WW	2800k-3200k	4000								
1.5M Direct lighting only	SC-SL8055-050-D-IR-AW-CW	6000k-6500k	5100	50	110°	220-240VAC 50/60HZ	SMD 2835	> 80	IP40	> 0.9	No dimming +milky lens
	SC-SL8055-050-D-IR-AW-NW	3800k-4200k	5200								
	SC-SL8055-050-D-IR-AW-WW	2800k-3200k	5000								
	SC-SL8055-050-D-IU-AW-CW	6000k-6500k	5100								No dimming +UGR<19 lens
	SC-SL8055-050-D-IU-AW-NW	3800k-4200k	5200								
	SC-SL8055-050-D-IU-AW-WW	2800k-3200k	5000								
2.4M Direct lighting only	SC-SL8055-080-D-IR-AW-CW	6000k-6500k	8200	80	110°	220-240VAC 50/60HZ	SMD 2835	> 80	IP40	> 0.9	No dimming +milky lens
	SC-SL8055-080-D-IR-AW-NW	3800k-4200k	8400								
	SC-SL8055-080-D-IR-AW-WW	2800k-3200k	8000								
	SC-SL8055-080-D-IU-AW-CW	6000k-6500k	8200								No dimming +UGR<19 lens
	SC-SL8055-080-D-IU-AW-NW	3800k-4200k	8400								
	SC-SL8055-080-D-IU-AW-WW	2800k-3200k	8000								
1.2M Indirect lighting module	SC-SL8055-010-U-12-CW	6000k-6500k	1025	10	110°	220-240VAC 50/60HZ	SMD 2835	> 80	IP40	> 0.9	No dimming
	SC-SL8055-010-U-12-NW	3800k-4200k	1050								
	SC-SL8055-010-U-12-WW	2800k-3200k	1000								
1.5M Indirect lighting module	SC-SL8055-013-U-15-CW	6000k-6500k	1275	13	110°	220-240VAC 50/60HZ	SMD 2835	> 80	IP40	> 0.9	No dimming
	SC-SL8055-013-U-15-NW	3800k-4200k	1300								
	SC-SL8055-013-U-15-WW	2800k-3200k	1250								

Notes:

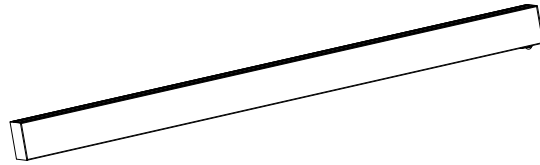
- (1) When the lamp with direct lighting is upgraded to the lamp with direct/indirect lighting, the lumen and power of the lamp with direct lighting are both 75% of the original;
- (2) When 2.4M lamp with direct lighting is upgraded to the lamp with direct/indirect lighting, each lamp with direct lighting needs to be equipped with 2PCS 1.2M indirect lighting modules.

Dimensions (Unit: mm)



- **1.2m lamp size:** 1202*55*80mm
- **1.5m lamp size:** 1502*55*80mm
- **2.4m lamp size:** 2402*55*80mm

Order list



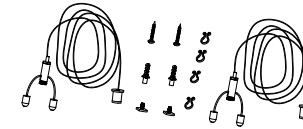
1

Linear light with direct lighting



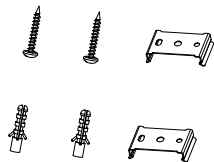
2

Indirect lighting module
(selective assembly)



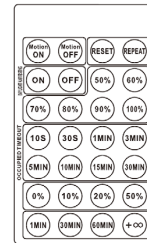
3

Suspension installation accessory
(selective assembly)



4

Ceiling installation accessory
(selective assembly)



5

Remote control
(selective assembly)

Product name	Model	Product size (mm)	Inner packing size(mm)	Inner box quantity (pcs/inner box)	Inner packing weight(kg)	Carton size (mm)	Carton quantity (inner box/carton)	Carton weight(kg)
1.2M Direct lighting only	SC-SL8055-040-D-IR-AW-CW SC-SL8055-040-D-IR-AW-NW SC-SL8055-040-D-IR-AW-WW SC-SL8055-040-D-IU-AW-CW SC-SL8055-040-D-IU-AW-NW SC-SL8055-040-D-IU-AW-WW	L1202*W55*H80	L1274*W130*H106	1pcs lamp / inner box	2.8kg	L1288*W274*H230	4pcs inner box / carton	15kg
1.5M Direct lighting only	SC-SL8055-050-D-IR-AW-CW SC-SL8055-050-D-IR-AW-NW SC-SL8055-050-D-IR-AW-WW SC-SL8055-050-D-IU-AW-CW SC-SL8055-050-D-IU-AW-NW SC-SL8055-050-D-IU-AW-WW	L1502*W55*H80	L1552*W130*H110	1pcs lamp / inner box	3.5kg	L1566*W280*H230	4pcs inner box / carton	18.5kg
2.4M Direct lighting only	SC-SL8055-080-D-IR-AW-CW SC-SL8055-080-D-IR-AW-NW SC-SL8055-080-D-IR-AW-WW SC-SL8055-080-D-IU-AW-CW SC-SL8055-080-D-IU-AW-NW SC-SL8055-080-D-IU-AW-WW	L2402*W55*H80	L2448*W130*H110	1pcs lamp / inner box	5.8kg	L2462*W144*H238	2pcs inner box / carton	15kg

Notice

- ◆ Please read the specification first, to make sure the service environment matches the condition in the specification before using.
- ◆ Please confirm the applicable power supply before using.
- ◆ Make sure the switch of product is off before connecting to the power supply to prevent electric shock.
- ◆ Operation against rules may damage your property even harm to your personal safety.
- ◆ Preliminarily estimate required quantity of LED linear lights, then according to the power rating of single linear light to figure out the total power and design power supply plan.
Dangerous high voltage, non-professionals are not allowed to maintain the products.
- ◆ If the exterior flexible cable or wire is damaged, it must be exchanged by the supplier, its agent or other similar qualified personnels to avoid dangers.