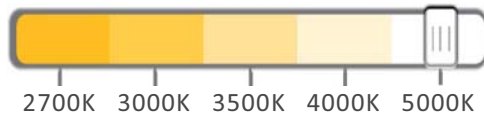


LED Flat Panel Light

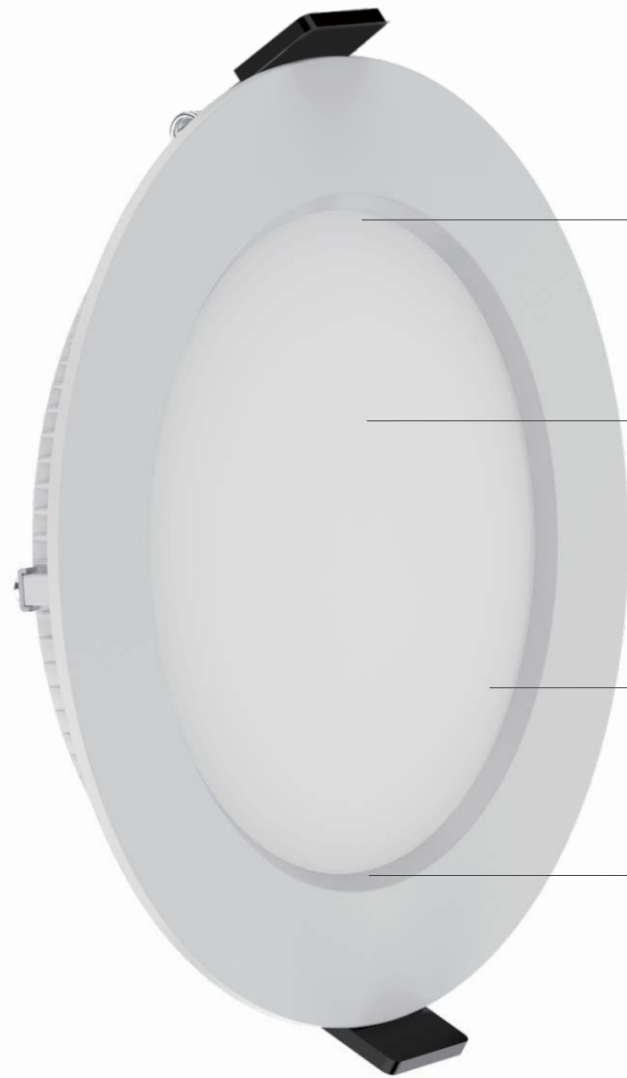
-J-box integrated version



5CCT Switchable



Features



Edge-lit light emitting, with very uniform and soft light, protecting eyes.



PC+ABS housing, high fireproofing rating, with good insulation and corrosion resistance.



The surface of the lamp is tightly compressed to the housing, the lamp can be used in wet location, for example, bathroom, kitchen, etc.



Using PMMA as the LGP, anti-yellowing and UV, long life time.

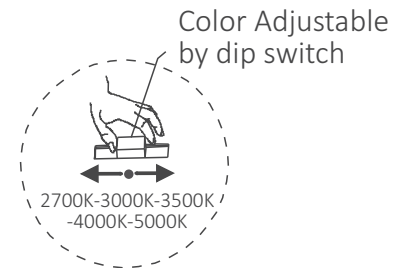
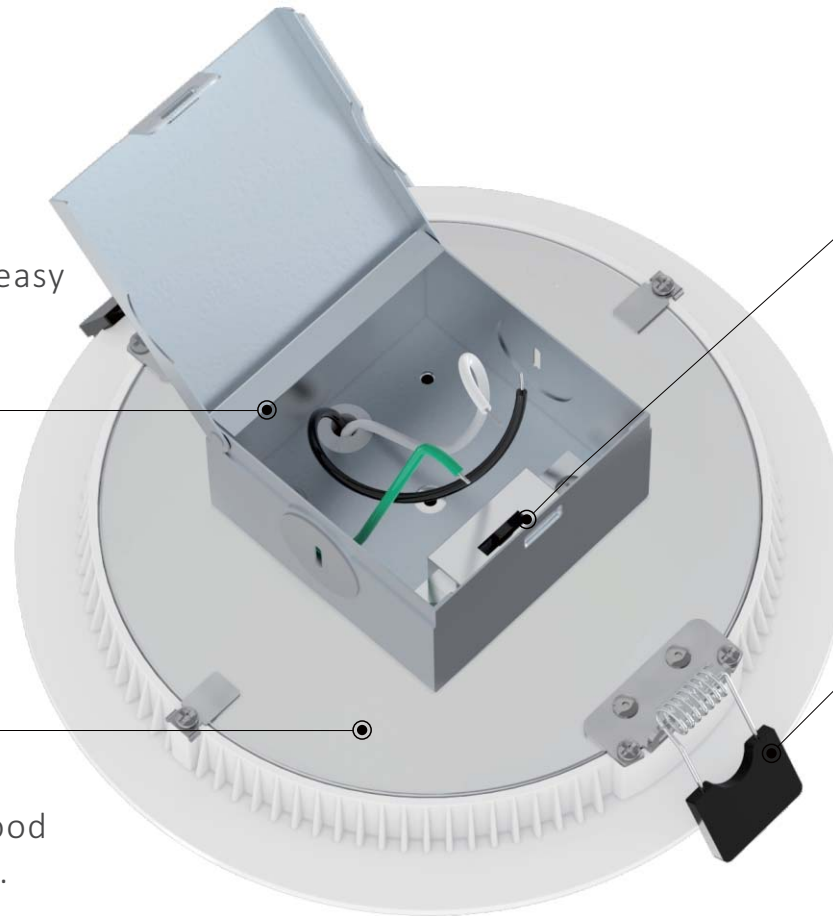
Features



Metal J-box design, with buckle cover, easy to open.

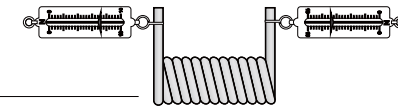


Designed with aluminum back cover, good heat dissipation, lengthen the lamp life.



Color Adjustable by dip switch

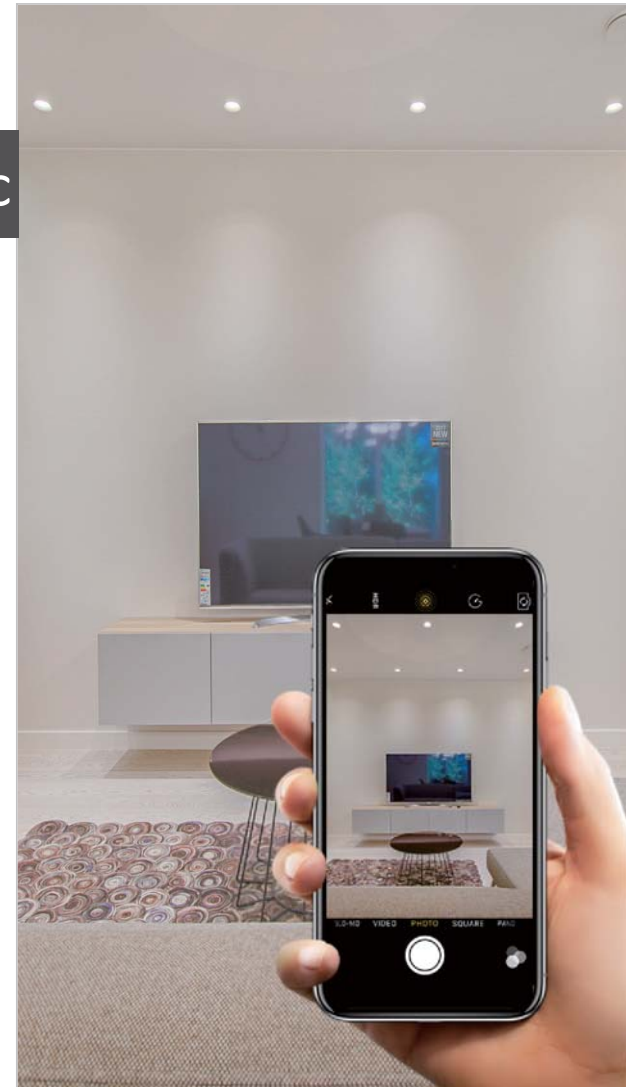
5 color temperatures adjustable.



Great spring elasticity, 6N-8N force.



No Stroboscopic





- Office
- Meeting room
- Mall
- Library
- Living room
- Museum

Application

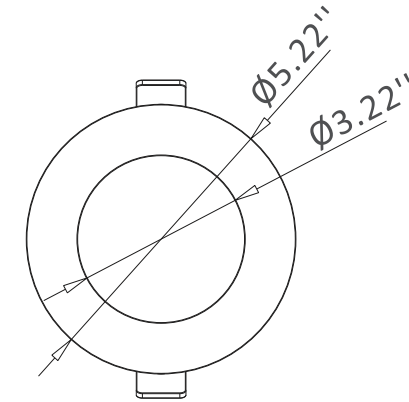
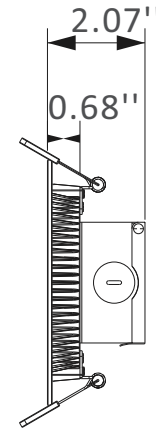
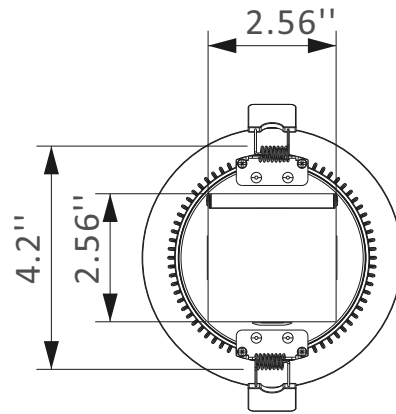
Parameter

Model	Name	Power	Color	LED type	LED Qty.	CCT	lumen(lm) +-10%	Beam angle	Cutout size	Input voltage	CRI	Input current	IP	PF
SC-DL09-D04-A1-05RE	Round 4 inch	9W	5CCT adjustable	2835	72	2700K	500	110°	ø4-1/4 inch	100-130V AC	>90	0.07	44	>0.9
						3000K	537							
						3500K	556							
						4000K	580							
						5000K	567							
SC-DL12-D06-A1-06RE	Round 6 inch	12W	5CCT adjustable	2835	88	2700K	725	110°	ø6-3/8 inch	100-130V AC	>90	0.08	44	>0.9
						3000K	800							
						3500K	805							
						4000K	855							
						5000K	800							

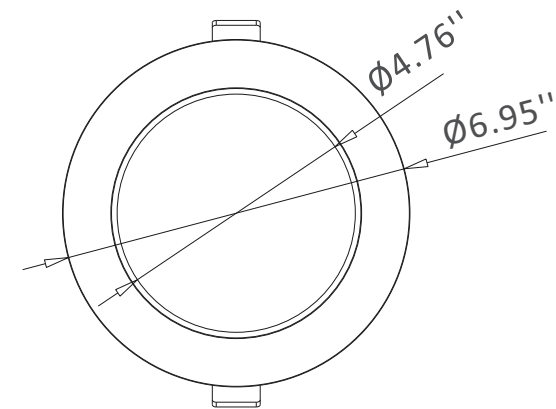
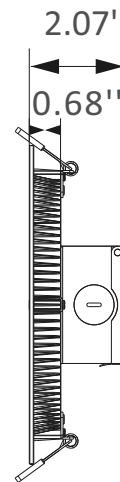
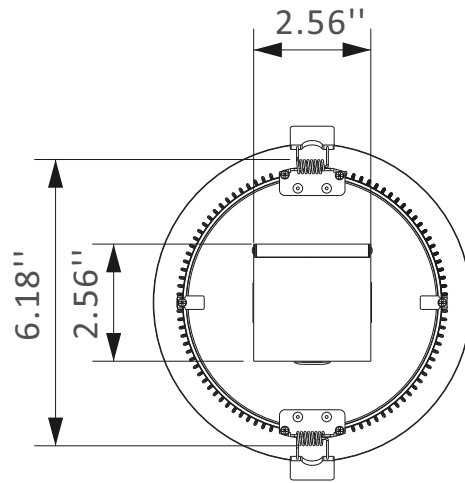
Dimensions

(unit: inch)

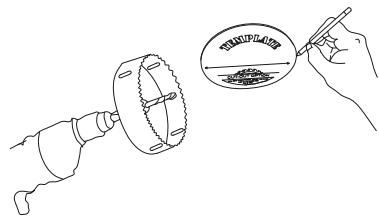
4"



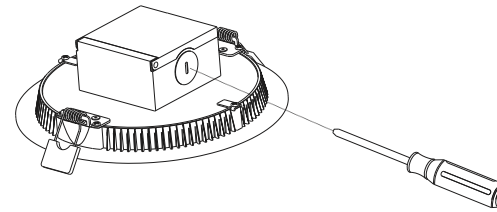
6"



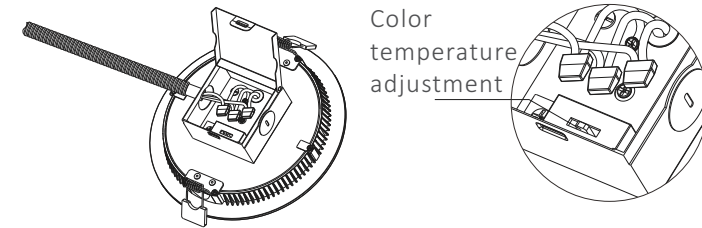
Installation Method



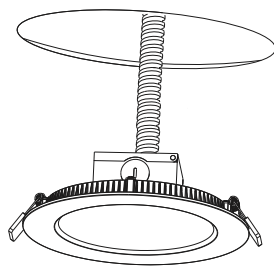
1. Make holes according to the template



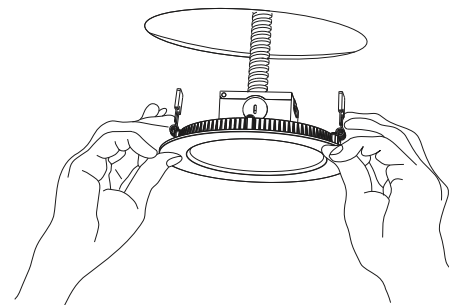
2. Use a screwdriver to open the knockout hole



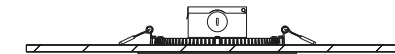
3. Connecting the cables with wire nuts, then toggle the switch in the J-box to select the correct color temperature



4. Connect the lamp body wire



5. Hold the snap ring of the lamp with both hands, and embed the lamp into the hole opened in the ceiling



6. The lamp body is installed on the ceiling

Packaging Information

Model	Specification	Size	Net weight (kg)	Inner packing size	Outer box size	Packing quantity of inner box (pcs/carton)	Inner packaging weight (kg)	Outer box weight (kg)	Gross weight (kg)
SC-DL09 -D04-A1 -05RE	4"	Ø5.2*2.07 inch	0.2kg	5.9*5.9*2.76 inch	14.57*12.2* 17.91 inch	30pcs	0.08kg	0.7kg	9.1kg
SC-DL12- D06-A1- 06RE	6"	Ø6.95*2.07 inch	0.27kg	7.48*7.48*2.76 inch	15.75*14.57* 15.75 inch	20pcs	0.11kg	0.8kg	8.4kg

Notice



- ⦿ Please read the specification first, to make sure the service environment matches the condition in the specification before using.
- ⦿ Please confirm the applicable power supply before using.
- ⦿ Make sure the switch of product is off before connecting to the power supply to prevent electric shock.
- ⦿ Operation against rules may damage your property even harm to your personal safety.
- ⦿ Preliminarily estimate required quantity of LED panel lights, then according to the power rating of single panel light to figure out the total power and design power supply plan.
- ⦿ Dangerous high voltage, Non-professionals are not allowed to maintain the products.
- ⦿ If the exterior flexible cable or wire is damaged, it must exchange by the supplier, its agent or other similar qualified personnels to avoid dangers.