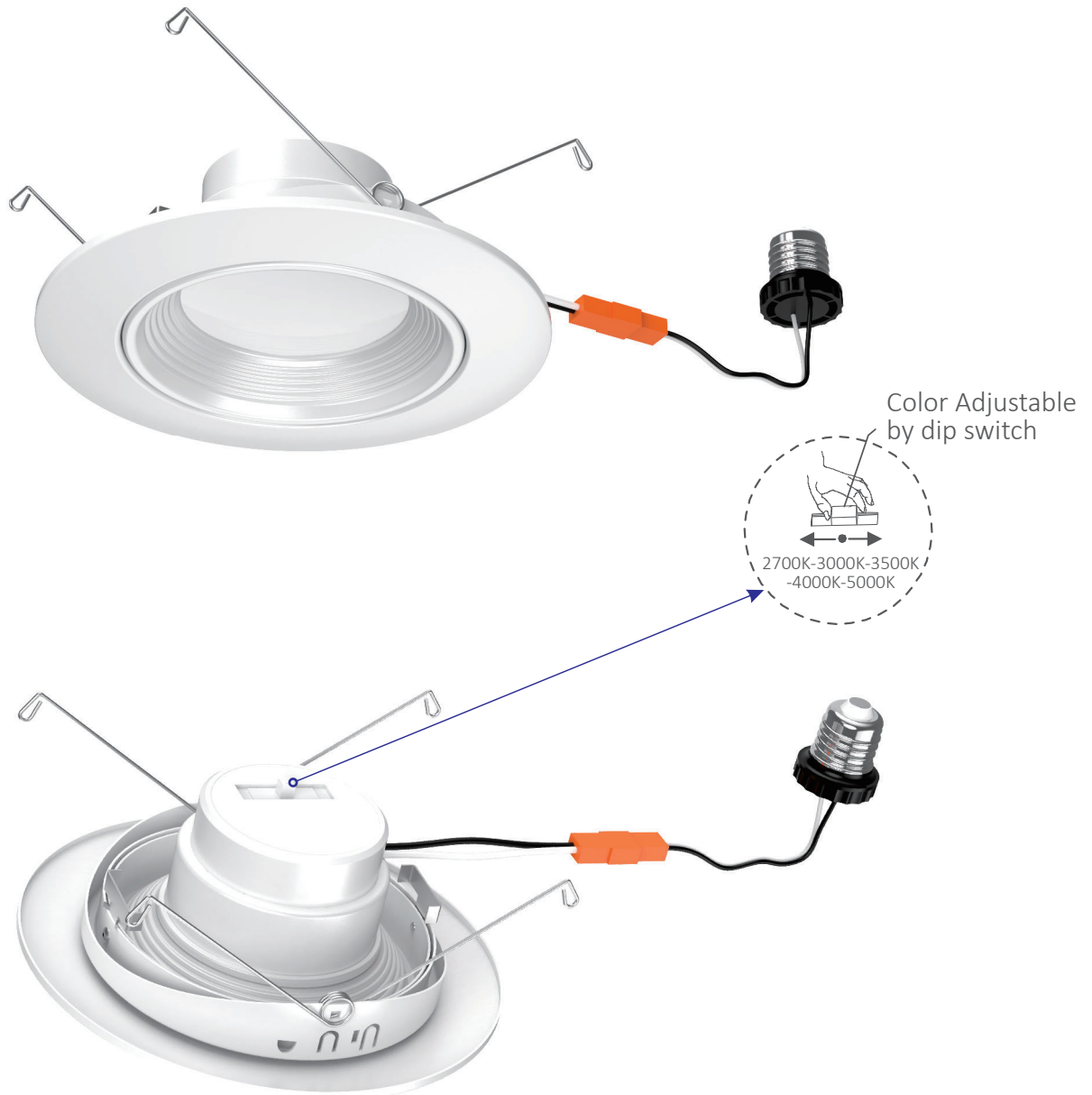


# LED 5CCT Gimbal Retrofit Downlight



Color Adjustable





## Application

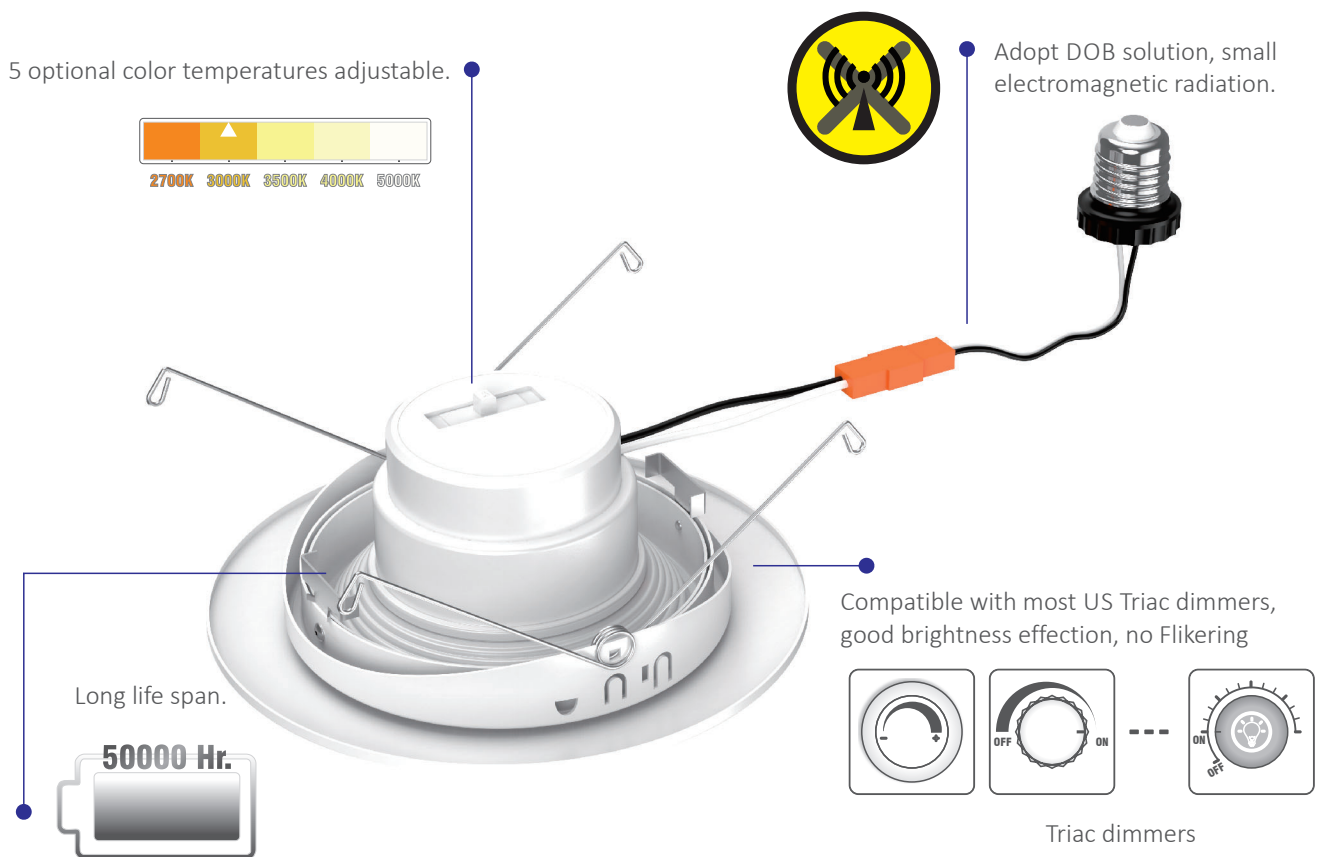
Applied in offices, department stores, families, etc. Users may select any one in five types of color temperature according to actual lighting need through five-section dip switch.

## Description

This downlight adopts exposed dip switch to adjust 5CCT so as to achieve the diversity of application.

## Features

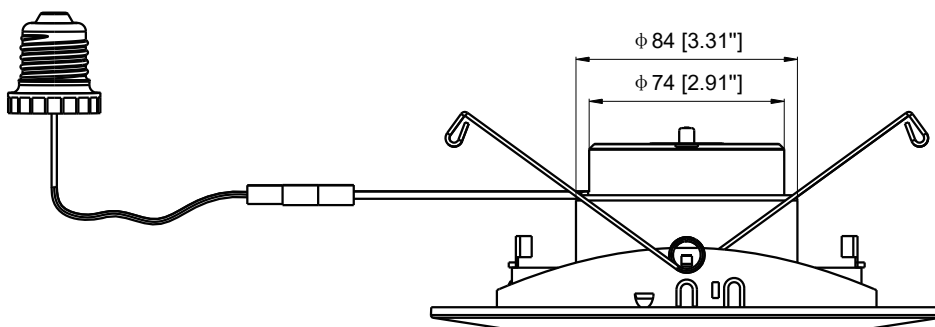
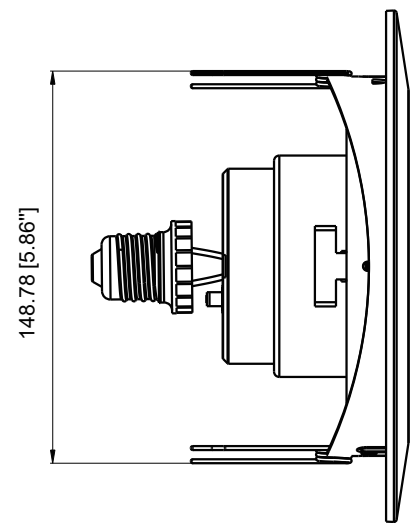
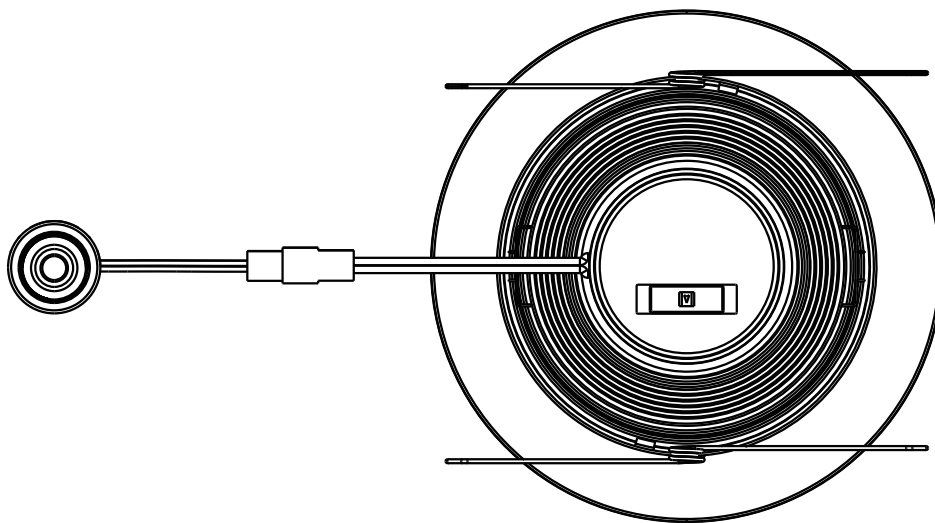
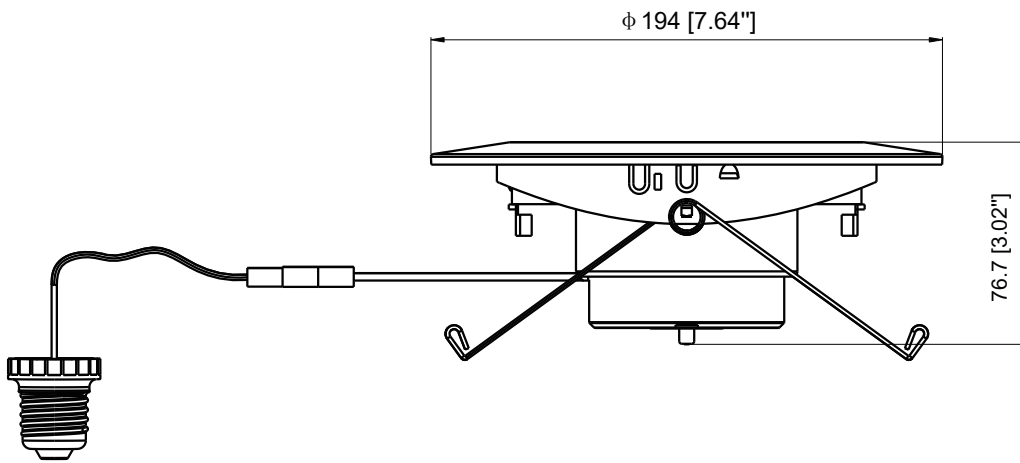
- Achieve selection of five types of color temperature through five-section dip switches.
- Long service life: the adoption of LED lamp beads ensures that the service life exceeds 50000 hours.
- The adoption of optical engine design ensures higher integration and smaller volume.
- Adopt DOB solution, the electromagnetic radiation is small.
- Compatible with most dimmers of North American to obtain good dimming effect.
- Dimming range:10-100%



## Technical parameters

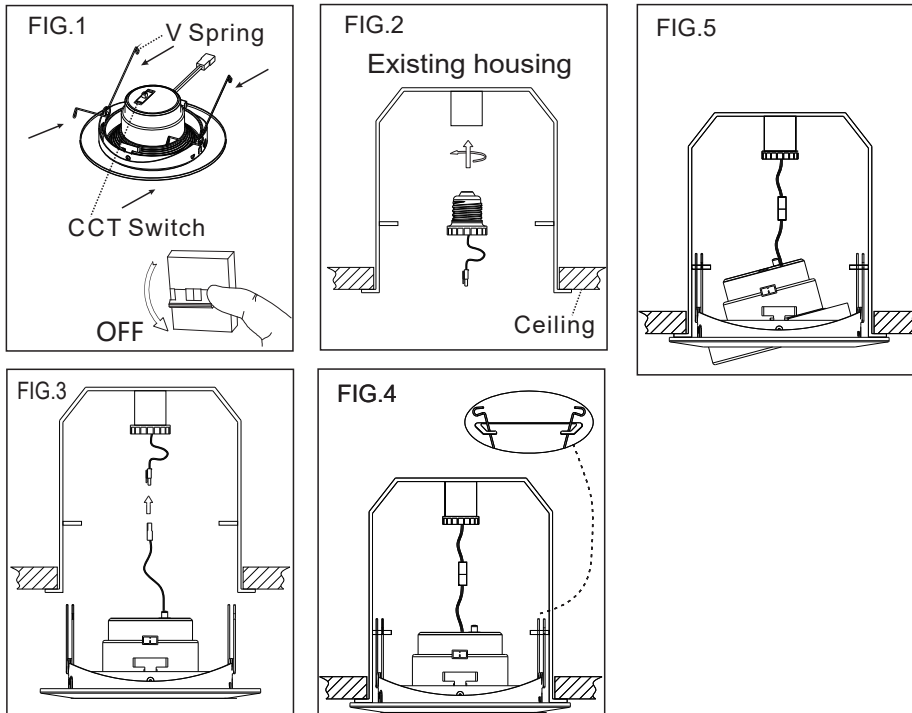
Model	CCT	Luminous flux (lm±10%)	LED type	Power(W)	Input voltage Frequency	Work temperature	Max.pcs/Dimmer
HML6-015-AL-5CCT-01BD	2700K	950	Warm White: 2835*15 Cold White: 2835*15	15W	120Vac 60Hz	-20°C~40°C	6pcs
	3000K	1100					
	3500K	1200					
	4000K	1250					
	5000K	1100					

## Dimensions (unit: inch/mm)



## Installation

### 6 Inch LED Gimbal Retrofit Downlight:



### HML6-015-AL-5CCT-01BD Compatible SCR List

Number	Brand	Model	Power	Max. output current(mA) $\pm 7$	Min. output current(mA)	Dimming ratio range
1	Lutron	DVWCL-153PH	15W	89.8	0	0%-86%
2	Lutron	TGCL-153PH	15W	100	0	0%-100%
3	Lutron	CTCL-153DH	15W	100	0	0%-100%
4	Leviton	CL-6674	15W	100	0	0%-100%
5	Lutron	MACL-153MR-WH	15W	100	0	0%-93.8%
6	Leviton	CL-6672	15W	96.5	0	3%-100%
7	Lutron	S-600HP	15W	100	0	0%-100%
8	Lutron	DV-600PR	15W	100	0	0%-98.5%
9	Leviton	VP106-1LZ	15W	100	0	0%-98.5%
10	Lutron	SELV-300P	15W	100	0	0%-100%
11	Lutron	DVELV-300P	15W	100	0	0%-100%
12	Lutron	SLV-600P-IV	15W	100	0	0%-100%

## Packaging

Information	Size
	<b>6 inch</b>
Net weight/CTN	4.58 Kg
Gross weight/CTN	7.10Kg
Inner size	210X200X85mm
Carton size	442X416X280mm
Quantity	1pcs/inner box, 12 pcs/carton

## container information

Direction Container	LL-WW-HH	LW-WL-HH	Any direction
20GP	6240pcs(520CTNS)	6720pcs(560CTNS)	7440pcs(620CTNS)
40GP	12960pcs(1080CTNS)	13440pcs(1120CTNS)	15192pcs(1266CTNS)
40HC	14580pcs(1215CTNS)	15120pcs(1260CTNS)	17112pcs(1426CTNS)

## Notice



- Please read the specification first, to make sure the service environment matches the condition in the specification before using.
- Please confirm the applicable power supply before using.
- Make sure the switch of product is off before connect to the power supply to prevent electric shock.
- Operation against rules may damage your property even harm to your personal safety.
- Dangerous high voltage, Non-professionals are not allowed to maintain the products.
- If the exterior flexible cable or wire is damaged, it must exchange by the supplier, its agent or other similar qualified personnels to avoid dangers.



Yijia Industrial Park, Fuqian Road, Guanlan Town, LongHua, Shenzhen, Guangdong, China

Tel:+86-755-27608650  
 Fax:+86-755-27608651  
[www.signcomplex.com](http://www.signcomplex.com)  
[sales@signcomplex.com](mailto:sales@signcomplex.com)