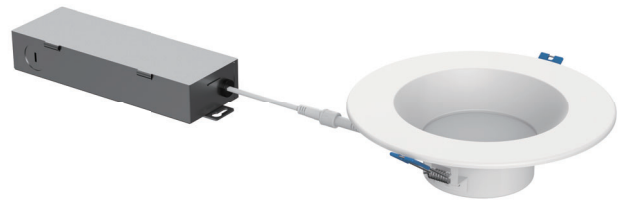


LED Adjustable Recessed Downlight 5CCT & Triac dimmable & 3 Power



DL211C 4inch



DL211C 6inch



DL211C 8inch



DL211C 10inch

Color Adjustable



Description

The line uses two bare DLP switches to adjust for 5 CCT and 3 power applications. The Triac dimmable control offers remote J-box dimming compatibility for easy installation in existing recessed areas. The frame does not require a separate shell, and the recessed jig is mounted directly onto the ceiling.

Features

- Achieve selection of three types of power through three-section dip switches.
- Achieve selection of five types of color temperature through five-section dip switches.
- Long service life: the adoption of LED lamp beads ensures that the service life exceeds 50000 hours.
- Compatible with most dimmers of North American to obtain good dimming effect.
- Type-IC rated and suitable for wet location applications.
- Triac dimmable; 10-100% dimming

Technical parameters

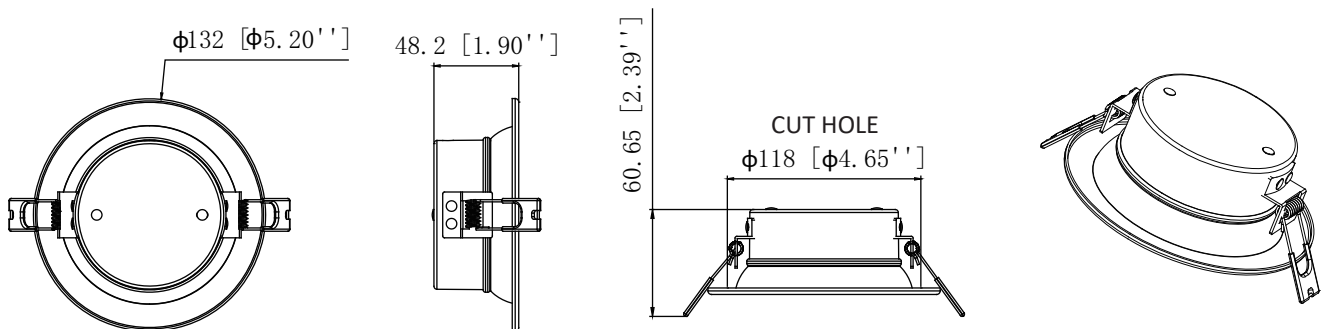
Model	CCT	Luminous flux (lm±10%)	LED type	Power(W)	Angle	Input voltage Frequency	Work temperature	Max.pcs/Dimmer
DL211C-4-15W-5CCT-R90-00ZZ	2700K	600	Warm White: 2835*21 Cold White: 2835*21	7W	95°	120Vac 60Hz	-20°C~40°C	10pcs
	3000K	650						
	3500K	650						
	4000K	700						
	5000K	650						
	2700K	900	Warm White: 2835*21 Cold White: 2835*21	11W				
	3000K	950						
	3500K	1000						
	4000K	1000						
	5000K	1000						
	2700K	1100	Warm White: 2835*21 Cold White: 2835*21	15W				
	3000K	1200						
	3500K	1200						
	4000K	1300						
	5000K	1200						
DL211C-6-18W-5CCT-R90-00ZZ	2700K	850	Warm White: 2835*24 Cold White: 2835*24	10W	95°	120Vac 60Hz	-20°C~40°C	10pcs
	3000K	900						
	3500K	950						
	4000K	950						
	5000K	920						
	2700K	1100	Warm White: 2835*24 Cold White: 2835*24	14W				
	3000K	1200						
	3500K	1300						
	4000K	1300						
	5000K	1200						
	2700K	1300	Warm White: 2835*24 Cold White: 2835*24	18W				
	3000K	1400						
	3500K	1500						
	4000K	1500						
	5000K	1450						

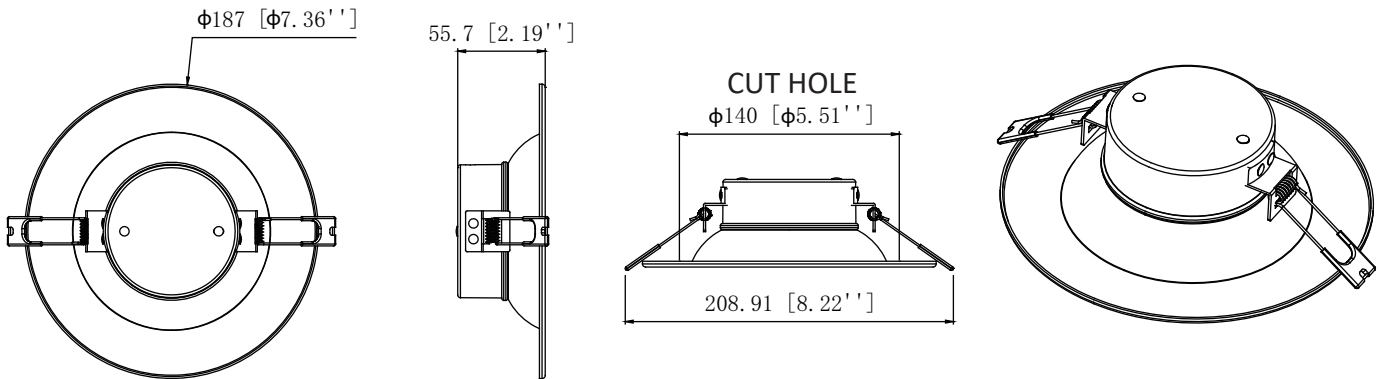
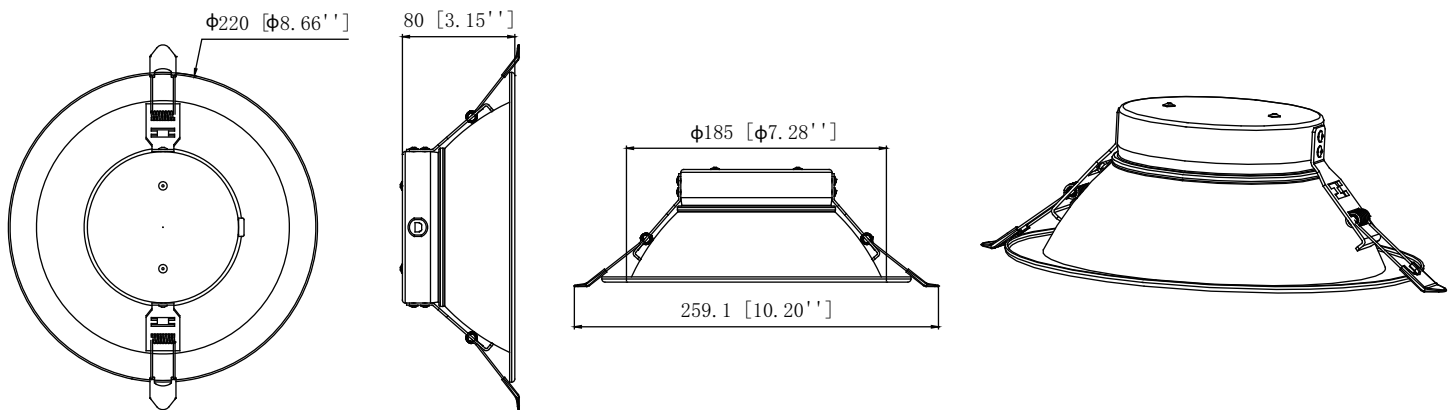
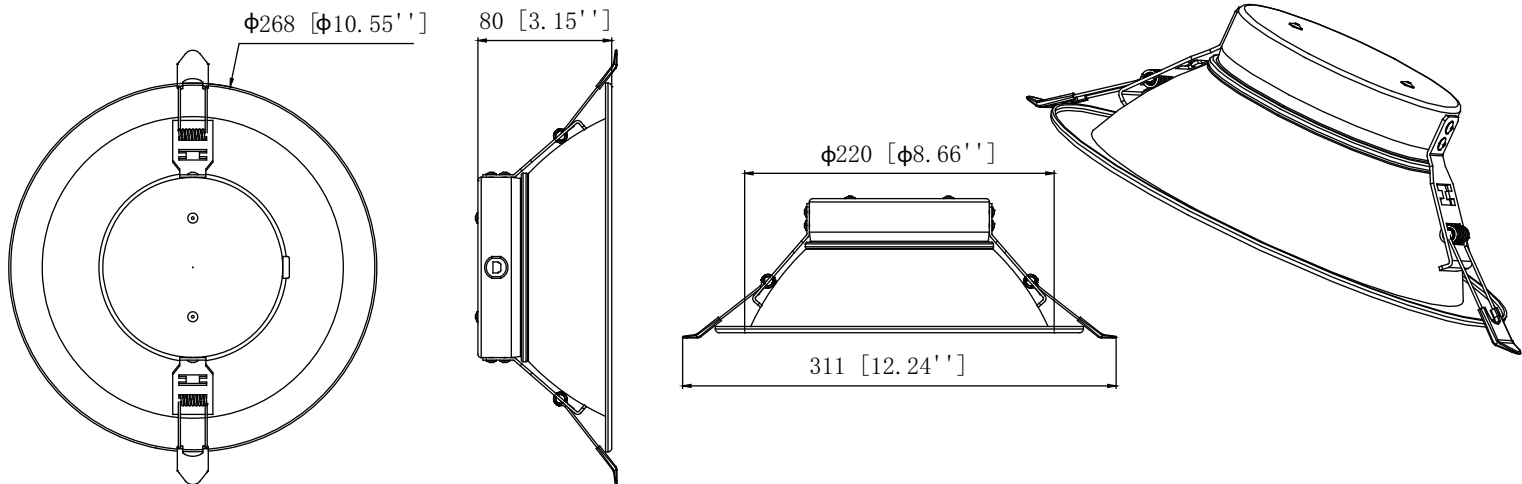
Model	CCT	Luminous flux (lm±10%)	LED type	Power(W)	Angle	Input voltage Frequency	Work temperature	Max.pcs/Dimmer
DL211C-8-30W-5CCT-R90-00ZZ	2700K	1500	Warm White: 2835*36 Cold White: 2835*36	18W	95°	120Vac 60Hz	-20°C~40°C	10pcs
	3000K	1650						
	3500K	1700						
	4000K	1700						
	5000K	1650						
	2700K	1800	Warm White: 2835*36 Cold White: 2835*36	24W				
	3000K	2000						
	3500K	2100						
	4000K	2100						
	5000K	2000						
	2700K	2200	Warm White: 2835*36 Cold White: 2835*36	30W				
	3000K	2400						
	3500K	2600						
	4000K	2600						
	5000K	2400						
DL211C-10-38W-5CCT-R90-00ZZ	2700K	1800	Warm White: 2835*44 Cold White: 2835*44	24W	95°	120Vac 60Hz	-20°C~40°C	10pcs
	3000K	2000						
	3500K	2100						
	4000K	2100						
	5000K	2000						
	2700K	2300	Warm White: 2835*44 Cold White: 2835*44	30W				
	3000K	2500						
	3500K	2800						
	4000K	2800						
	5000K	2500						
	2700K	2800	Warm White: 2835*44 Cold White: 2835*44	38W				
	3000K	3100						
	3500K	3300						
	4000K	3300						
	5000K	3000						

● The "ZZ" can be any numbers from 01 to 99 denotes commercial code for commercial use ;

Dimensions (unit: inch/mm)

4" CUT HOLE: $\phi 118\text{mm}/4.65''$



6" CUT HOLE: $\phi 140\text{mm}/5.51''$

8" CUT HOLE: $\phi 185\text{mm}/7.3''$

10" CUT HOLE: $\phi 220\text{mm}/8.66''$


Installation

NEW CONSTRUCTION AND REMODEL INSTALLATION DRIVER WIRING (See Figures 1-2):

Make sure power is turned off at the source before proceeding.

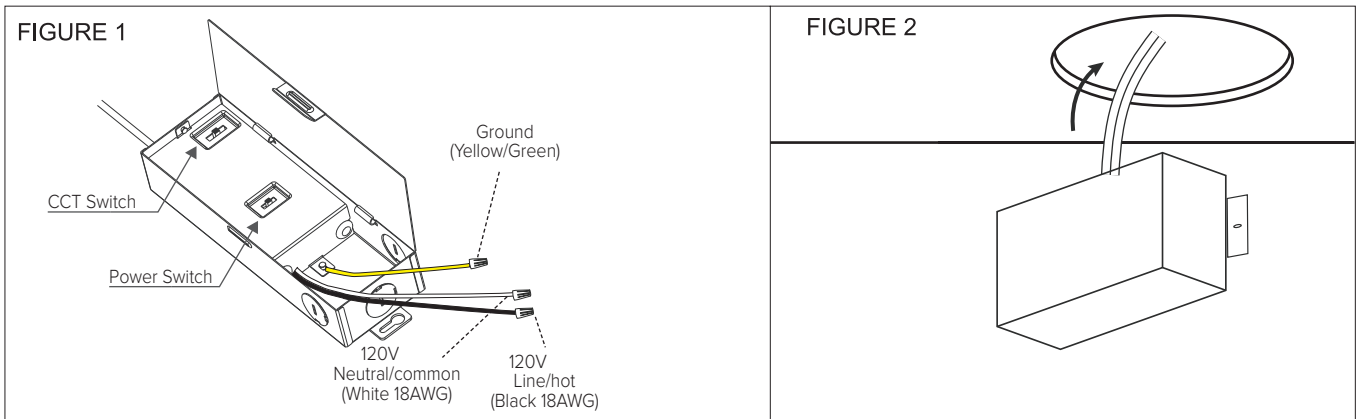
1. Open the hardwire box swing cover and remove the appropriate knockout (s).
2. Insert the electrical supply cable through the knockout and secure with a cable connector (sold separately).
3. Using wire nuts, connect green/ground wire of cable to green wire in junction box, connect white wire of cable to white wire in junction box, connect black wire of cable to black wire of box (See Figure 1).
4. Use the CCT slider switch on the inside of the driver junction box to set the desired color temperature for the light.
5. Use the power slider switch on the inside of the driver junction box to set the desired power for the light.
6. Place all wiring and connections back in to the box and close the cover making sure wires are not pinched in any way.
7. Insert hardwire box through the mounting hole (see Figure 2).

For new construction applications:

Hardwire box shall be rmly secured to studs, joists, or similar fixed structural units

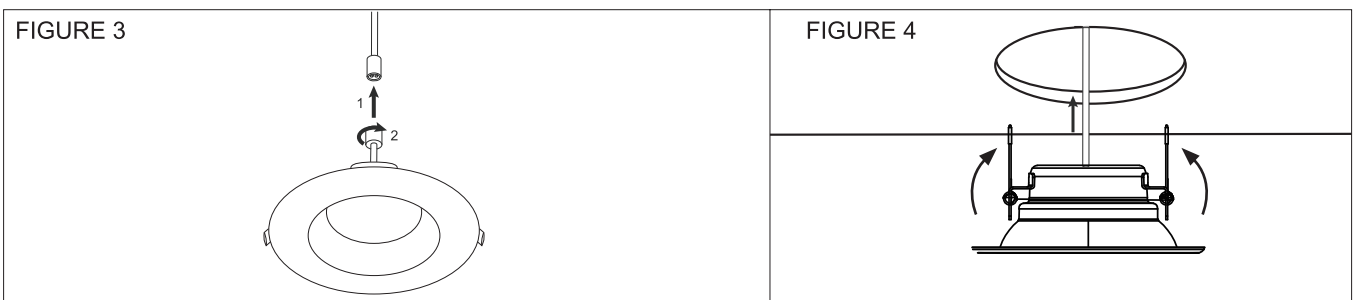
For remodel applications:

Hardwire box is not required to be secured after the plates, studs, joists, or structural units have been concealed.



FIXTURE INSTALLATION (See Figures 3-4)

1. Connect the fixture to the hardwire box by inserting and twisting the male/female connectors together until fully secured (See Figure 3).
2. Push spring loaded clips on the fixture upwards and insert fixture base in to the mounting hole. Release the clips and fixture will be pulled flush to the ceiling (See Figure 4).
3. Once assembly is complete, turn on power to confirm fixture is working properly.



NEW CONSTRUCTION AND REMODEL INSTALLATION DRIVER WIRING (See Figures 1-2):

Packaging

Information \ Size	DL211C-4--5CCT	DL211C-6--5CCT	DL211C-8--5CCT	DL211C-10--5CCT
Net weight/CTN	6.40kg	5.51kg	5.10kg	5.58kg
Gross weight/CTN	8.80kg	8.00kg	7.93kg	7.96kg
Inner-box size	208x188x83mm	191x193x104mm	250x235x116mm	286x286x118mm
Carton size	434x394x355mm	404X400X335mm	518X488X255mm	590X590X259mm
Quantity	1pcs/inner box, 16 pcs/carton	1pcs/inner box, 12 pcs/carton	1pcs/inner box, 8 pcs/carton	1pcs/inner box, 8 pcs/carton

Notice



- Please read the specification first, to make sure the service environment matches the condition in the specification before using.
- Please confirm the applicable power supply before using.
- Make sure the switch of product is off before connect to the power supply to prevent electric shock.
- Operation against rules may damage your property even harm to your personal safety.
- Dangerous high voltage, Non-professionals are not allowed to maintain the products.
- If the exterior flexible cable or wire is damaged, it must exchange by the supplier, its agent or other similar qualified personnels to avoid dangers.