

LED Adjustable Recessed Downlight 5CCT & 0-10V & 3 Power



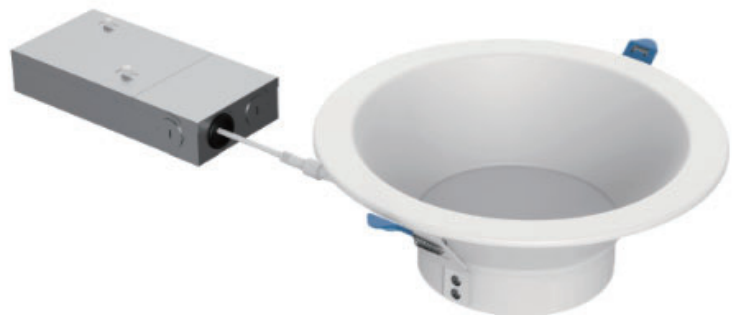
DL211K 4inch



DL211K 6inch



DL211K 8inch



DL211K 10inch

Color Adjustable



Description

The line uses two bare DLP switches to adjust for 5 CCT and 3 power applications. The 0-10 volt control offers remote J-box dimming compatibility for easy installation in existing recessed areas. The frame does not require a separate shell, and the recessed jig is mounted directly onto the ceiling.

Features

- Achieve selection of three types of power through three-section dip switches.
- Achieve selection of five types of color temperature through five-section dip switches.
- Long service life: the adoption of LED lamp beads ensures that the service life exceeds 50000 hours.
- Compatible with most dimmers of North American to obtain good dimming effect.
- Type-IC rated and suitable for wet location applications.
- Dimming 0-10V.

Technical parameters

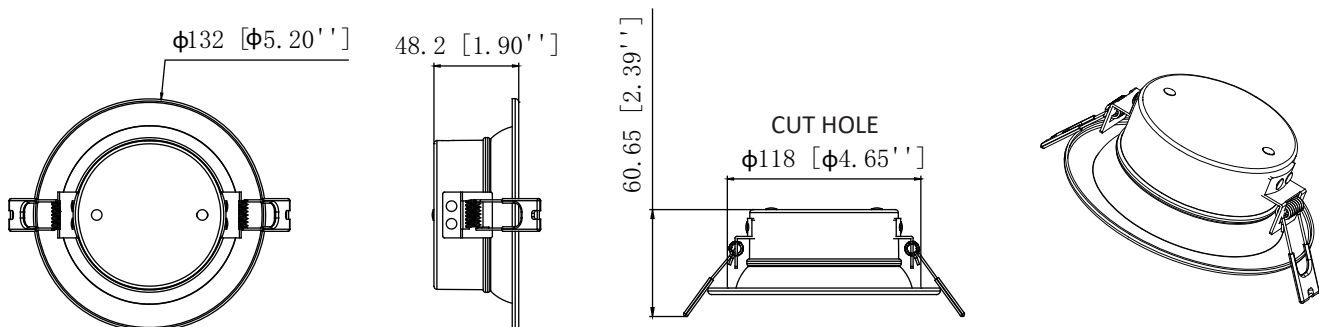
Model	CCT	Luminous flux (lm±10%)	LED type	Power(W)	Angle	Input voltage Frequency	Work temperature	Max.pcs/Dimmer
DL211K-4-15W-5CCT-R90-00ZZ	2700K	650	Warm White: 2835*20 Cold White: 2835*20	7W	95°	100-277Vac 50/60Hz	-20°C~40°C	10pcs
	3000K	690						
	3500K	700						
	4000K	730						
	5000K	720						
	2700K	900	arm White: 2835*20 Cold White: 2835*20	11W				
	3000K	980						
	3500K	1030						
	4000K	1046						
	5000K	1000						
	2700K	1130	arm White: 2835*20 Cold White: 2835*20	15W				
	3000K	1200						
	3500K	1300						
	4000K	1300						
5000K	1200							
DL211K-6-18W-5CCT-R90-00ZZ	2700K	880	Warm White: 2835*24 Cold White: 2835*24	10W	95°	100-277Vac 50/60Hz	-20°C~40°C	10pcs
	3000K	920						
	3500K	970						
	4000K	980						
	5000K	960						
	2700K	1100	arm White: 2835*24 Cold White: 2835*24	14W				
	3000K	1200						
	3500K	1260						
	4000K	1280						
	5000K	1250						
	2700K	1360	arm White: 2835*24 Cold White: 2835*24	18W				
	3000K	1460						
	3500K	1560						
	4000K	1600						
5000K	1500							

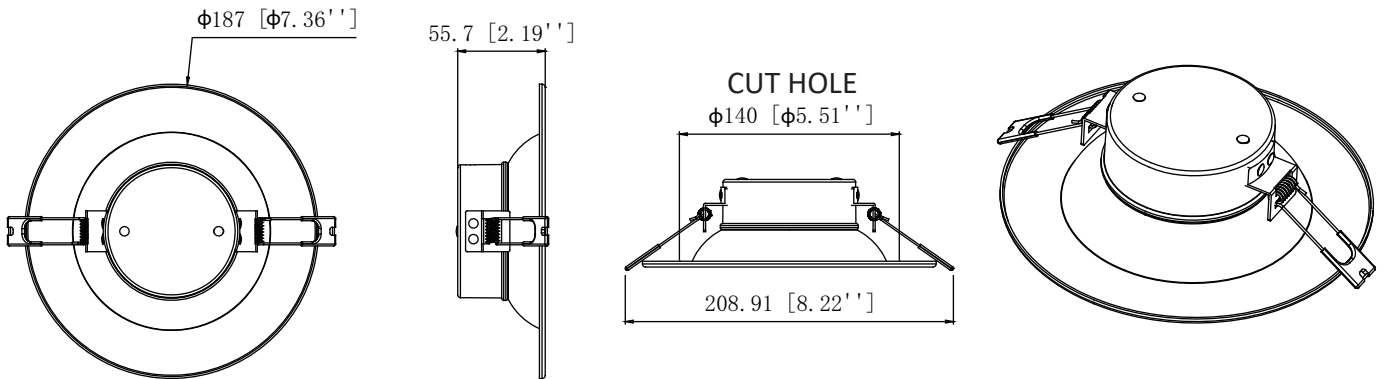
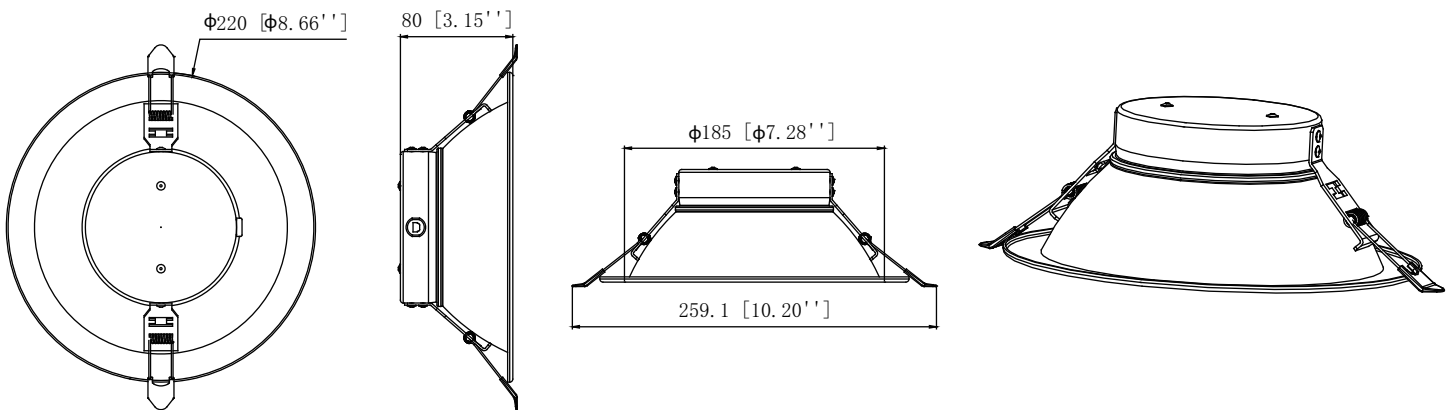
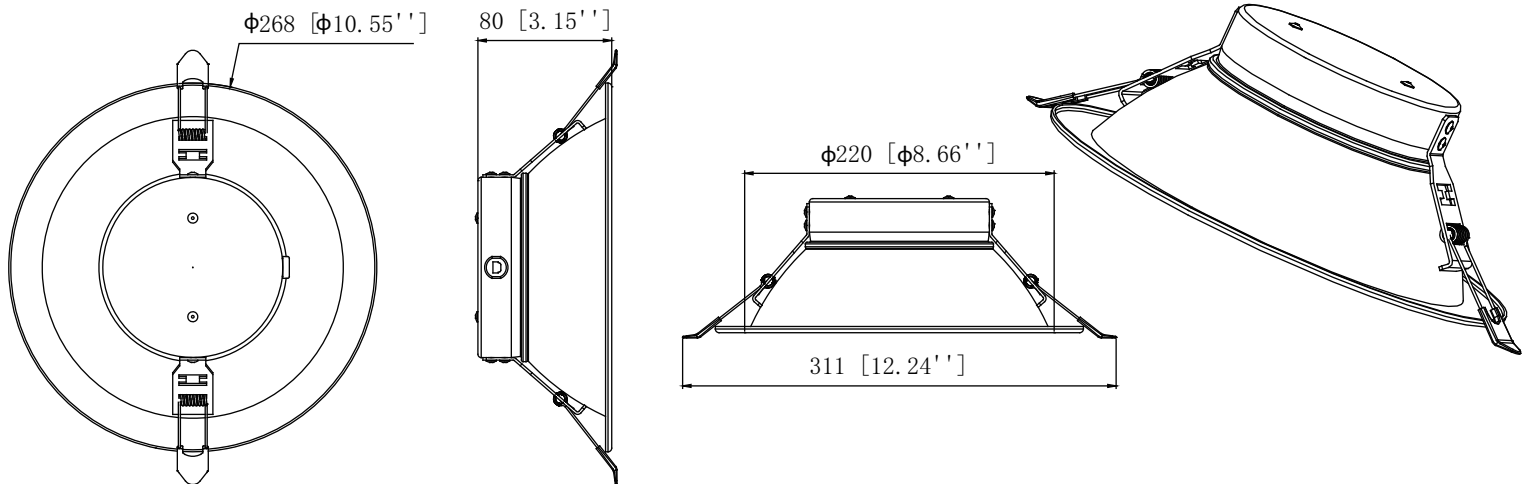
Model	CCT	Luminous flux (lm±10%)	LED type	Power(W)	Angle	Input voltage Frequency	Work temperature	Max.pcs/Dimmer
DL211K-8-30W-5CCT-R90-00ZZ	2700K	1630	Warm White: 2835*36 Cold White: 2835*36	18W	95°	100-277Vac 50/60Hz	-20°C~40°C	10pcs
	3000K	1700						
	3500K	1800						
	4000K	1820						
	5000K	1750						
	2700K	1970	Warm White: 2835*36 Cold White: 2835*36	24W				
	3000K	2130						
	3500K	2250						
	4000K	2280						
	5000K	2140						
	2700K	2150	Warm White: 2835*36 Cold White: 2835*36	30W				
	3000K	2360						
	3500K	2500						
	4000K	2530						
5000K	2340							
DL211K-10-38W-5CCT-R90-00ZZ	2700K	1550	Warm White: 2835*44 Cold White: 2835*44	24W	95°	100-277Vac 50/60Hz	-20°C~40°C	10pcs
	3000K	1700						
	3500K	1800						
	4000K	1800						
	5000K	1700						
	2700K	2150	Warm White: 2835*44 Cold White: 2835*44	30W				
	3000K	2350						
	3500K	2500						
	4000K	2500						
	5000K	2400						
	2700K	2750	Warm White: 2835*44 Cold White: 2835*44	38W				
	3000K	3000						
	3500K	3100						
	4000K	3100						
5000K	3000							

● The "ZZ" can be any numbers from 01 to 99 denotes commercial code for commercial use;

Dimensions (unit: inch/mm)

4" CUT HOLE: $\phi 118\text{mm}/4.65''$



6" CUT HOLE: $\phi 140\text{mm}/5.51''$

8" CUT HOLE: $\phi 185\text{mm}/7.3''$

10" CUT HOLE: $\phi 220\text{mm}/8.66''$


Installation

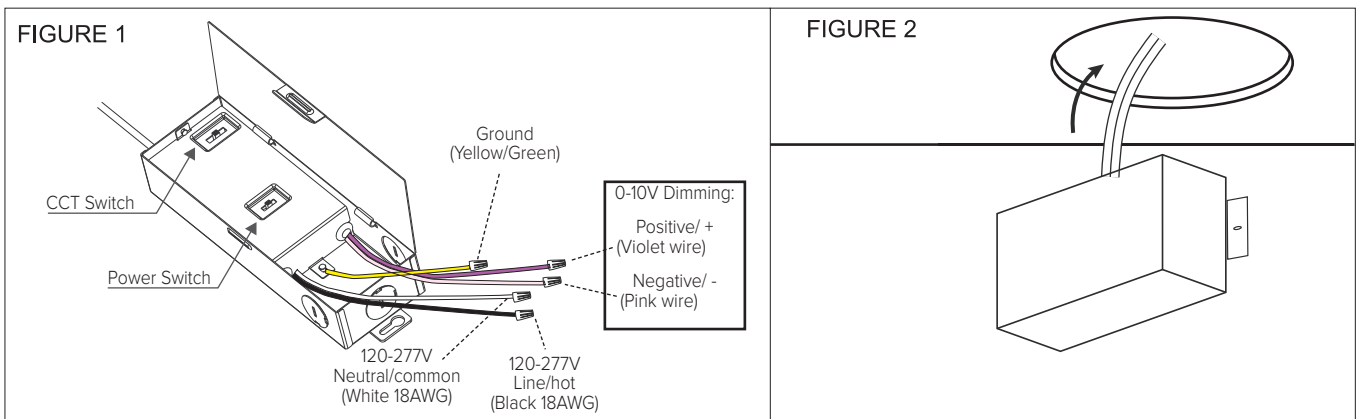
NEW CONSTRUCTION AND REMODEL INSTALLATION DRIVER WIRING (See Figures 1-2):

Make sure power is turned off at the source before proceeding.

1. Open the hardwire box and remove the appropriate knockout(s).
2. Insert the electrical supply cable through the knockout and secure with a cable connector (sold separately).
3. Using wire nuts, connect green/ground wire of supply power (bare or copper lead) to Yellow/Green ground wire in junction box, connect neutral/common wire (White lead) of supply power to 18AWG white wire in junction box, connect line/hot wire (Black lead) of supply power to 18AWG black wire of box. Important: See Figures 1 and 2 for specific hardwire box wire identification guides.
4. For 0-10V dimming, use appropriate dimmer model and follow directions included with the dimmer. Be sure to attach dimmer correctly: Violet lead inside junction box is positive (+) and pink wire inside junction box is negative (-). See Figures 1 and 2.
5. Place all wiring and connections back in to the box and close the cover, making sure wires are not pinched in any way.
6. Insert hardwire box through the mounting hole (see Figure 2). Hardwire box can be secured to studs, joists, or similar structural units if needed.

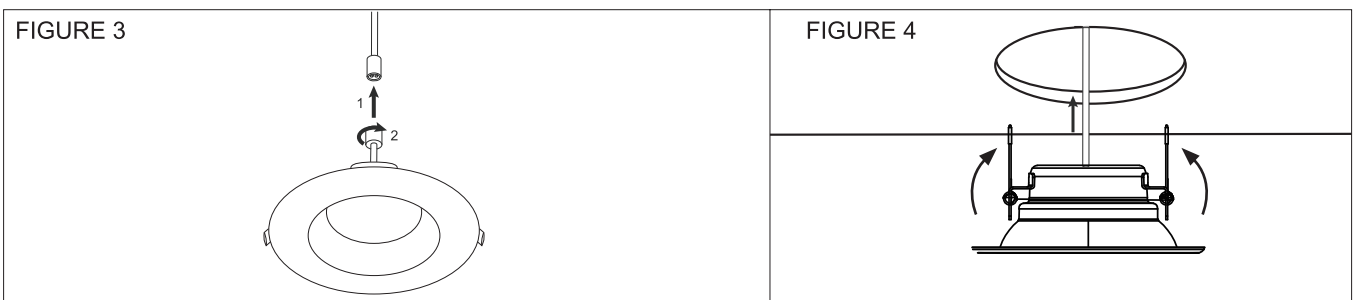
For new construction applications: Hardwire box shall be firmly secured to studs, joists, or similar fixed structural units.

For remodel applications: Hardwire box is not required to be secured after the plates, studs, joists, or structural units have been concealed.



FIXTURE INSTALLATION (See Figures 3-4)

1. Connect the fixture to the hardwire box by inserting and twisting the male/female connectors together until fully secured (See Figure 3).
2. Push spring loaded clips on the fixture upwards and insert fixture base in to the mounting hole. Release the clips and fixture will be pulled flush to the ceiling (See Figure 4).
3. Once assembly is complete, turn on power to confirm fixture is working properly.



Packaging

Information \ Size	DL211K-4--5CCT	DL211K-6--5CCT	DL211K-8--5CCT	DL211K-10--5CCT
Net weight/CTN	6.40kg	5.51kg	5.10kg	5.58kg
Gross weight/CTN	8.80kg	8.00kg	7.93kg	7.96kg
Inner-box size	208x188x83mm	191x193x104mm	250x235x116mm	286x286x118mm
Carton size	434x394x355mm	404X400X335mm	518X488X255mm	590X590X259mm
Quantity	1pcs/inner box, 16 pcs/carton	1pcs/inner box, 12 pcs/carton	1pcs/inner box, 8 pcs/carton	1pcs/inner box, 8 pcs/carton

Notice



- Please read the specification first, to make sure the service environment matches the condition in the specification before using.
- Please confirm the applicable power supply before using.
- Make sure the switch of product is off before connect to the power supply to prevent electric shock.
- Operation against rules may damage your property even harm to your personal safety.
- Dangerous high voltage, Non-professionals are not allowed to maintain the products.
- If the exterior flexible cable or wire is damaged, it must exchange by the supplier, its agent or other similar qualified personnels to avoid dangers.