

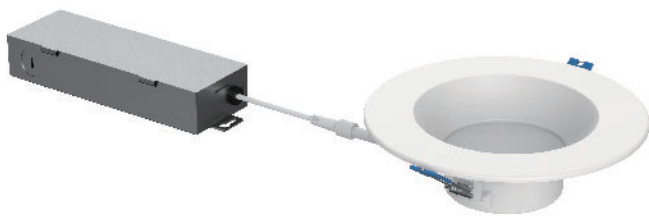
LED Adjustable Recessed Downlight 5CCT & 0-10V



DL211A-3-6W-5CCT-R90-00ZZ



DL211A-4-10W-5CCT-R90-00ZZ

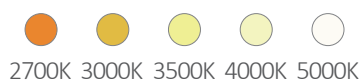


DL211A-6-15W-5CCT-R90-00ZZ



DL211A-8-25W-5CCT-R90-00ZZ

Color Adjustable



Description

This downlight adopts exposed dip switch to adjust 5CCT so as to achieve the diversity of application. It offers remote J-box dimming compatibility using 0-10-volt controls and quick easy to install into existing recessed frames does not require a separate housing, and the recess fixture mounts directly into the ceiling.

Features

- Achieve selection of five types of color temperature through five-section dip switches.
- Long service life: the adoption of LED lamp beads ensures that the service life exceeds 50000 hours.
- Compatible with most dimmers of North American to obtain good dimming effect.
- Type-IC rated and suitable for wet location applications.
- Dimming 0-10V.

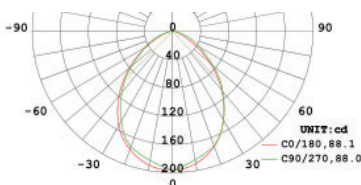
Technical parameters

Model	CCT	Luminous flux (lm±10%)	LED type	Power(W)	Angle	Input voltage Frequency	Work temperature	Max.pcs/Dimmer
DL211A-3-6W-5CCT-R90-00ZZ	2700K	400	Warm White: 2835*8 Cold White: 2835*8	6W	90°	100-277Vac 50/60Hz	-20°C~40°C	10pcs
	3000K	450						
	3500K	500						
	4000K	500						
	5000K	450						
DL211A-4-10W-5CCT-R90-00ZZ	2700K	800	Warm White: 2835*16 Cold White: 2835*16	10W	95°	100-277Vac 50/60Hz	-20°C~40°C	10pcs
	3000K	850						
	3500K	900						
	4000K	900						
	5000K	850						
DL211A-6-15W-5CCT-R90-00ZZ	2700K	1150	Warm White: 2835*20 Cold White: 2835*20	15W	95°	100-277Vac 50/60Hz	-20°C~40°C	10pcs
	3000K	1200						
	3500K	1300						
	4000K	1300						
	5000K	1200						
DL211A-8-25W-5CCT-R90-00ZZ	2700K	1800	Warm White: 2835*28 Cold White: 2835*28	25W	95°	100-277Vac 50/60Hz	-20°C~40°C	10pcs
	3000K	1950						
	3500K	2100						
	4000K	2100						
	5000K	1950						

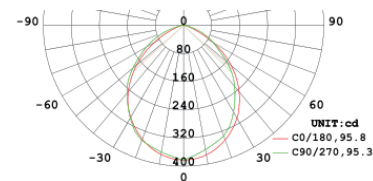
- The "ZZ" can be any numbers from 01 to 99 denotes commercial code for commercial use;

Photometric distribution showing intensity (candelas):

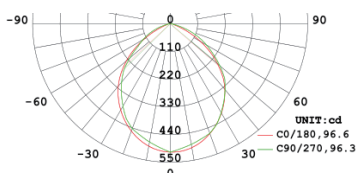
DL211A-3-6W-5CCT-R90-00ZZ



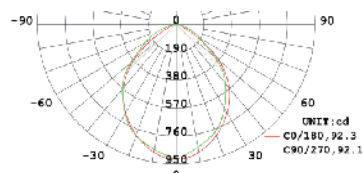
DL211A-4-10W-5CCT-R90-00ZZ



DL211A-6-15W-5CCT-R90-00ZZ

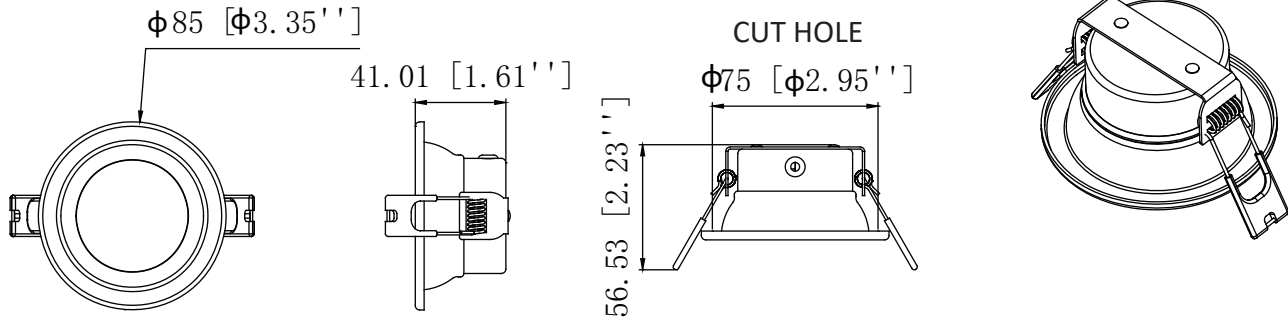


DL211A-8-25W-5CCT-R90-00ZZ

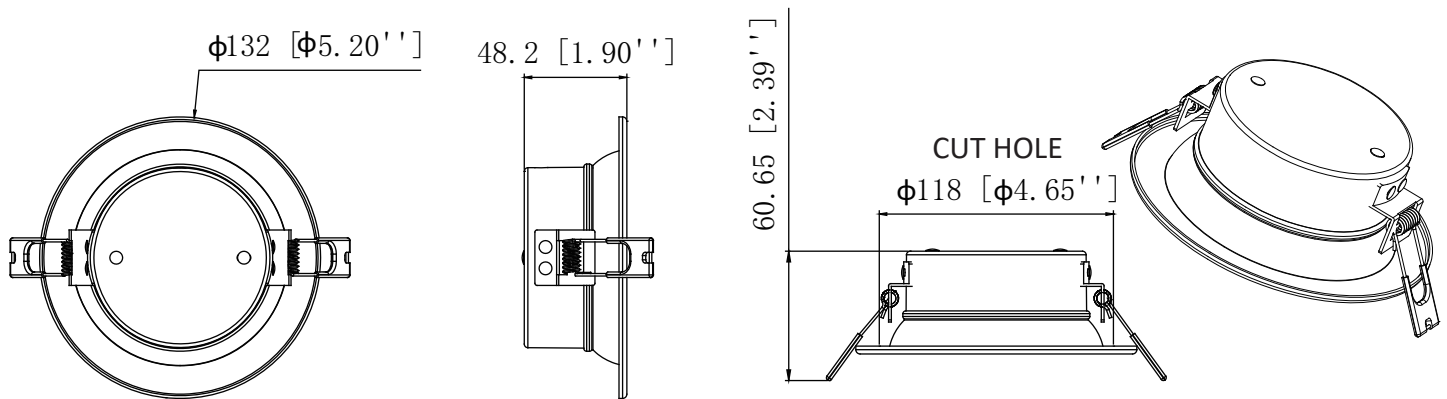


Dimensions (unit: inch/mm)

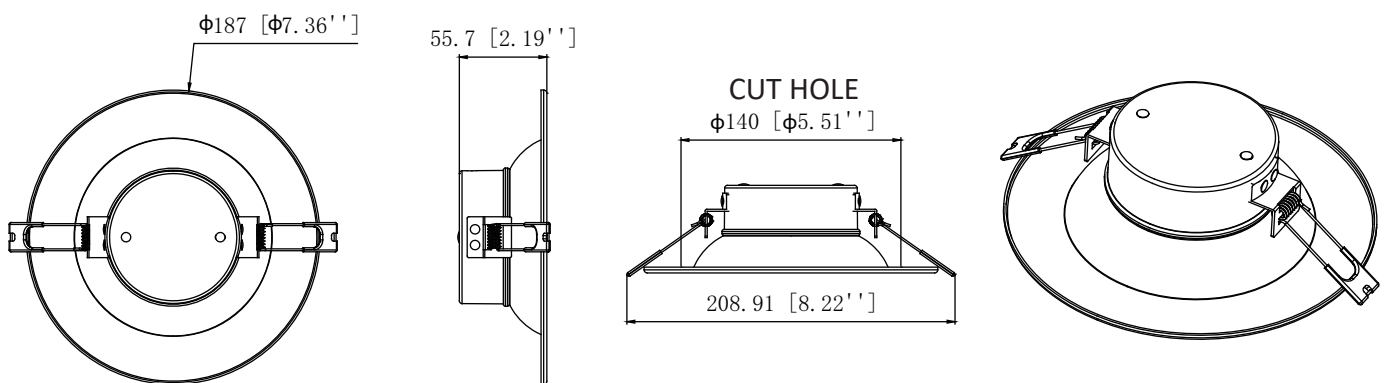
3" CUT HOLE: $\phi 75\text{mm}/2.95''$



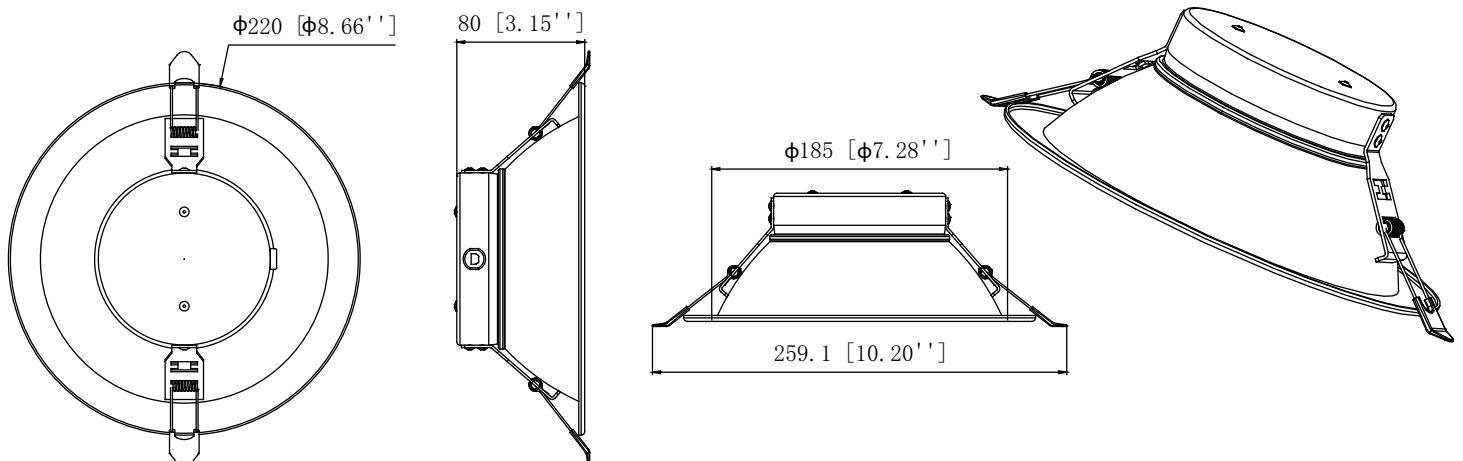
4" CUT HOLE: $\phi 118\text{mm}/4.65''$



6" CUT HOLE: $\phi 140\text{mm}/5.51''$



8" CUT HOLE: $\phi 185\text{mm}/7.3''$



Installation

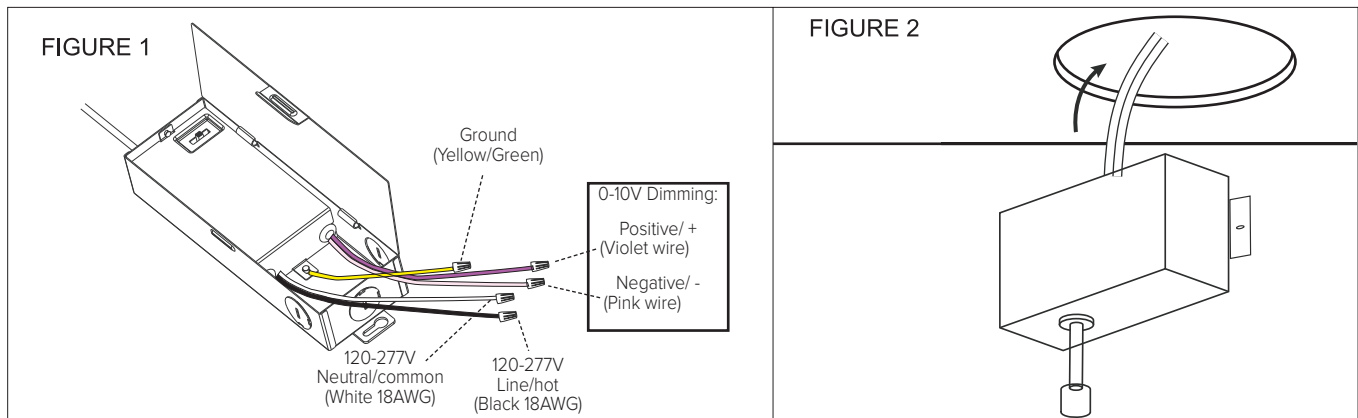
NEW CONSTRUCTION AND REMODEL INSTALLATION DRIVER WIRING (See Figures 1-2):

Make sure power is turned off at the source before proceeding.

1. Open the hardwire box and remove the appropriate knockout(s).
2. Insert the electrical supply cable through the knockout and secure with a cable connector (sold separately).
3. Using wire nuts, connect green/ground wire of supply power (bare or copper lead) to Yellow/Green ground wire in junction box, connect neutral/common wire (White lead) of supply power to 18AWG white wire in junction box, connect line/hot wire (Black lead) of supply power to 18AWG black wire of box. Important: See Figures 1 and 2 for specific hardwire box wire identification guides.
4. For 0-10V dimming, use appropriate dimmer model and follow directions included with the dimmer. Be sure to attach dimmer correctly: Violet lead inside junction box is positive (+) and pink wire inside junction box is negative (-). See Figures 1 and 2.
5. Place all wiring and connections back in to the box and close the cover, making sure wires are not pinched in any way.
6. Insert hardwire box through the mounting hole (see Figure 2). Hardwire box can be secured to studs, joists, or similar structural units if needed.

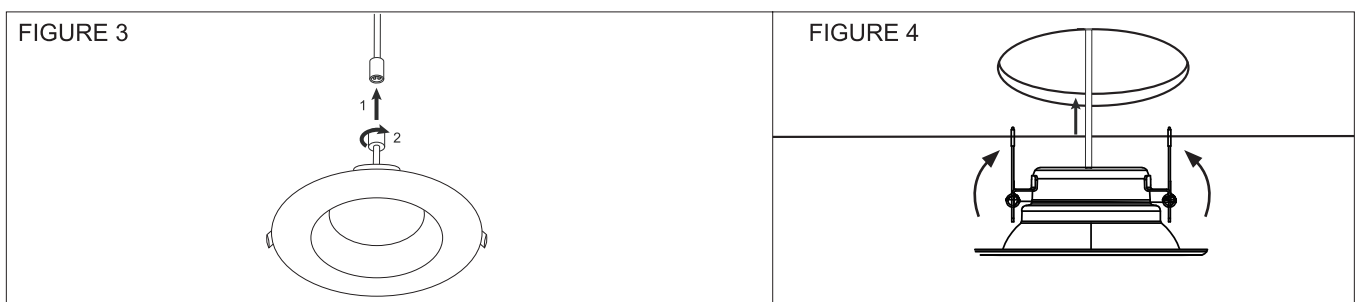
For new construction applications: Hardwire box shall be firmly secured to studs, joists, or similar fixed structural units.

For remodel applications: Hardwire box is not required to be secured after the plates, studs, joists, or structural units have been concealed.



FIXTURE INSTALLATION (See Figures 3-4)

1. Connect the fixture to the hardwire box by inserting and twisting the male/female connectors together until fully secured (See Figure 3).
2. Push spring loaded clips on the fixture upwards and insert fixture base in to the mounting hole. Release the clips and fixture will be pulled flush to the ceiling (See Figure 4).
3. Once assembly is complete, turn on power to confirm fixture is working properly.



Packaging

Information \ Size	DL211A-3-6W-5CCT-R90-00ZZ	DL211A-4-10W-5CCT-R90-00ZZ	DL211A-6-15W-5CCT-R90-00ZZ	DL211A-8-25W-5CCT-R90-00ZZ
Net weight/CTN	7.92kg	6.4kg	5.1kg	5.1kg
Gross weight/CTN	10.9kg	8.8kg	8.0kg	7.93kg
Inner-box size	208x141x83mm	208x188x83mm	191x193x104mm	250x235x116mm
Carton size	434x443x355mm	434X394X355mm	404X400X335mm	518x488x255mm
Quantity	1pcs/inner box, 24 pcs/carton	1pcs/inner box, 16 pcs/carton	1pcs/inner box, 12 pcs/carton	1pcs/inner box, 8 pcs/carton

Notice



- Please read the specification first, to make sure the service environment matches the condition in the specification before using.
- Please confirm the applicable power supply before using.
- Make sure the switch of product is off before connect to the power supply to prevent electric shock.
- Operation against rules may damage your property even harm to your personal safety.
- Dangerous high voltage, Non-professionals are not allowed to maintain the products.
- If the exterior flexible cable or wire is damaged, it must exchange by the supplier, its agent or other similar qualified personnels to avoid dangers.